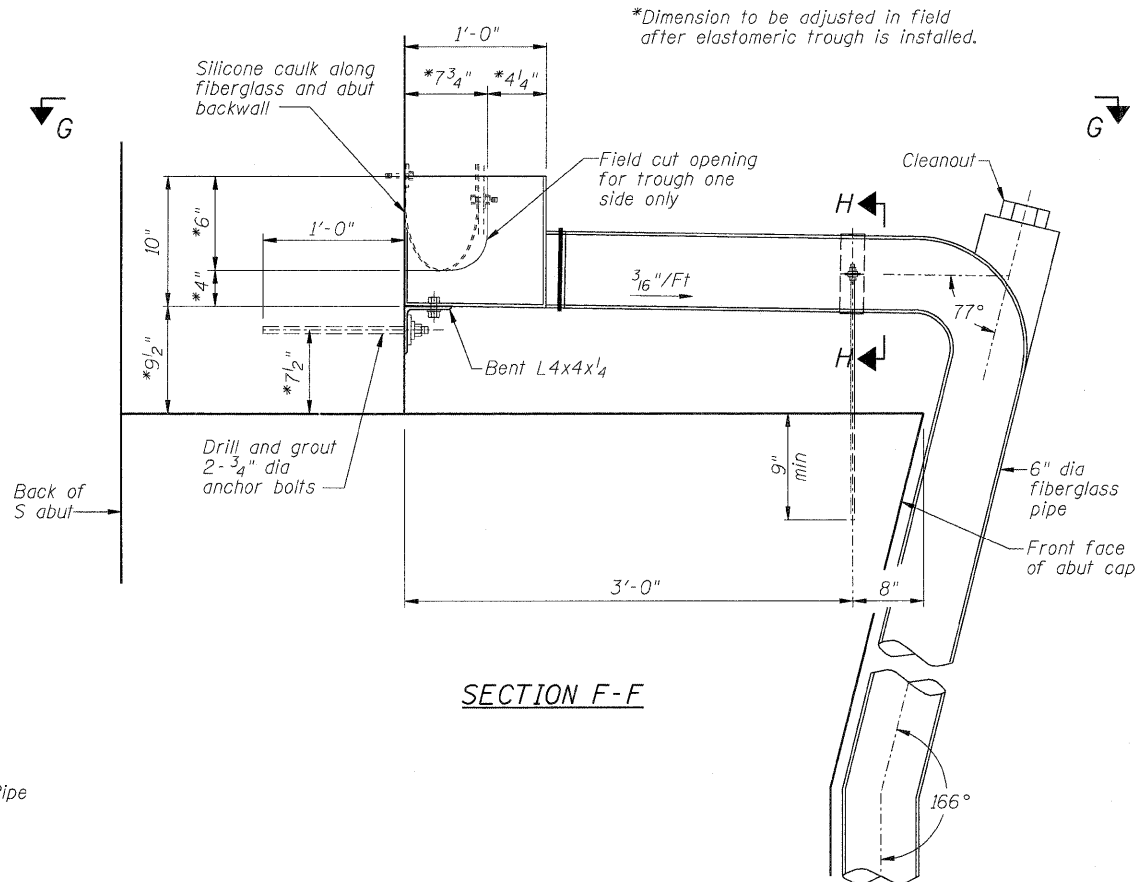
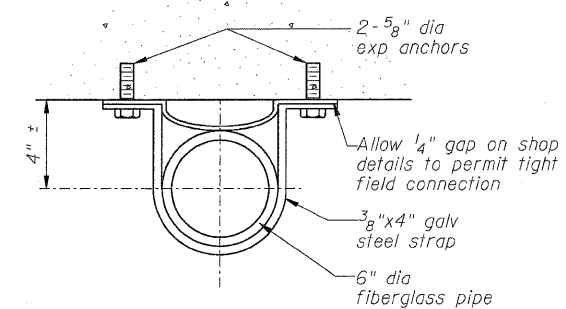


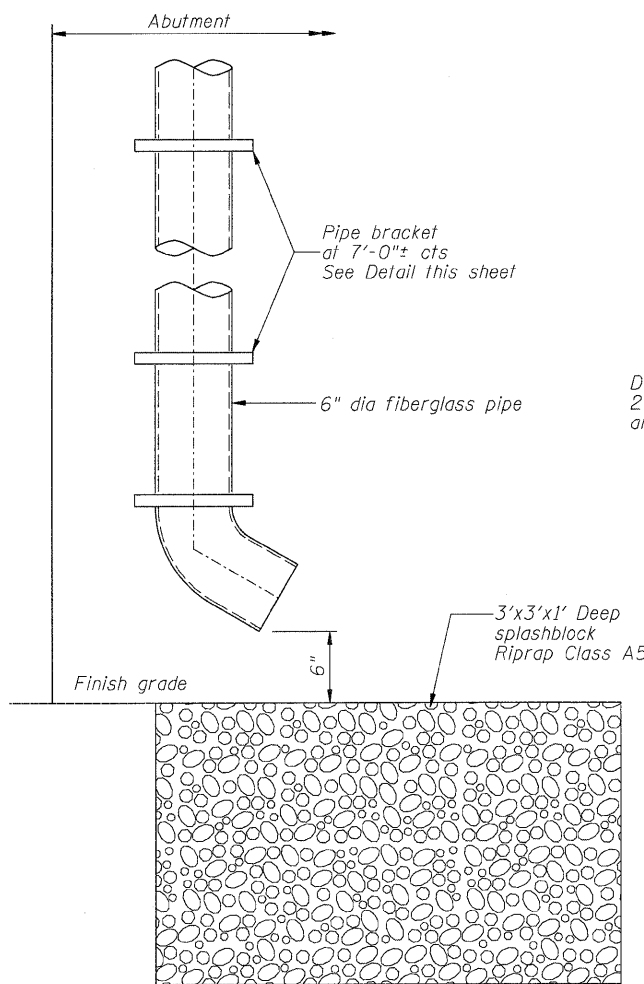
END OF TROUGH DETAIL



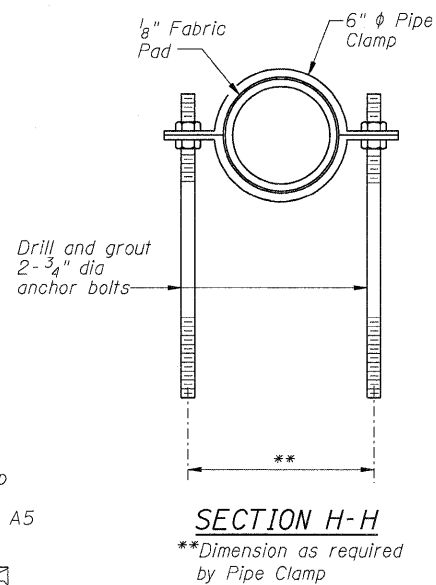
SECTION F-F



PIPE BRACKET DETAIL  
(To concrete)

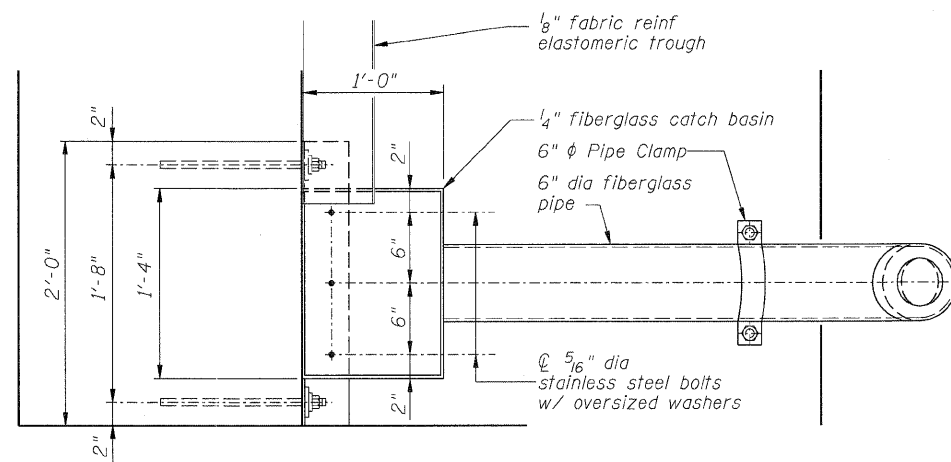


DRAINAGE SYSTEM DETAIL



SECTION H-H

\*\*Dimension as required by Pipe Clamp



SECTION G-G

BILL OF MATERIAL

Item	Unit	Quantity
Drainage System	LS	1

NOTES:

Work this sheet with Sheet 48 of 103

Cost of steel angles, anchor bolts and stainless steel bolts is included with Drainage System.

Fiberglass pipe shall conform to ASTM D 2996 with short-time rupture strength hoop tensile stress of 30,000 psi minimum. The surface of the fiberglass pipe shall be free of bond inhibiting agents. Fiberglass catch basin shall be of the same material. All fiberglass items shall be pigmented a color similar to concrete.

All fiberglass pipe, elbows, connections, pipe clamps, brackets, anchor bolts, reducers, catch basin, attaching hardware, and splash block are included in the cost of "Drainage System".

FILE NAME =  
D264880-shtr-drainagesystem.dgn

USER NAME = dwozniarski

DESIGNED - ACB  
CHECKED - JMB

REVISED -  
REVISED -

PLOT SCALE = 0.6667 "/ IN.  
PLOT DATE = 7/18/2011

DRAWN - RLK  
CHECKED - ACB

REVISED -  
REVISED -

STATE OF ILLINOIS  
DEPARTMENT OF TRANSPORTATION

DRAINAGE SYSTEM AT SOUTH ABUTMENT  
STRUCTURE NO. 098-0115

SHEET NO. 52 OF 103 SHEETS

F.A.P. RTE.	SECTION	COUNTY	TOTAL SHEETS	SHEET NO.
646	IB-2	WHITESIDE	257	155
CONTRACT NO. 64B80			ILLINOIS FED. AID PROJECT	