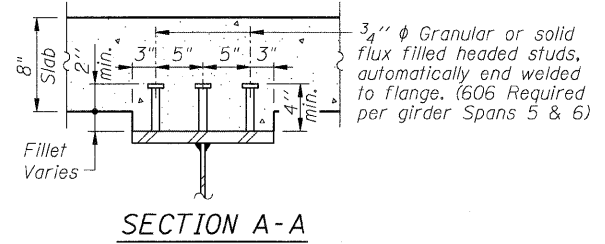
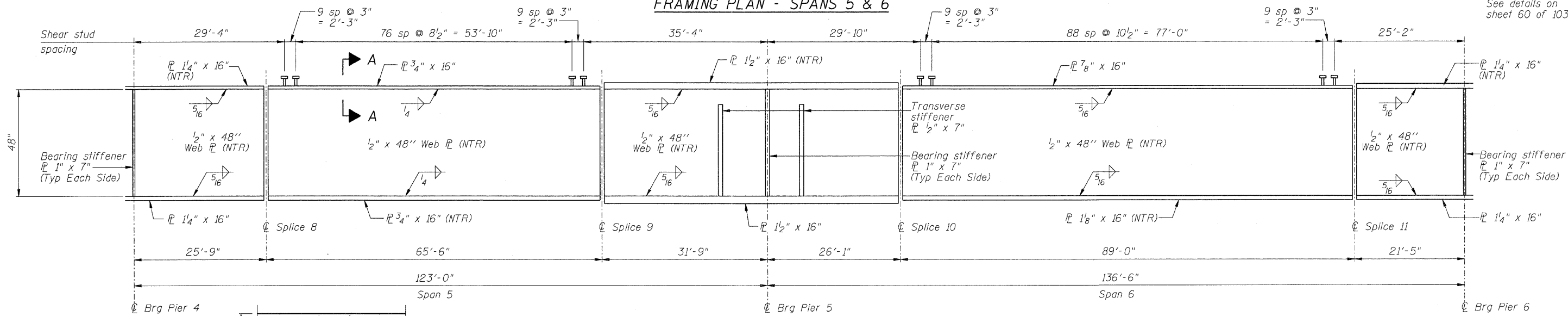


FRAMING PLAN - SPANS 5 & 6



GIRDER ELEVATION
 "NTR" denotes plates to which notch toughness requirements are applicable.

NOTES:
 Structural steel shall be AASHTO M270 Grade 50 for the girders, transverse stiffeners, bearing stiffeners and connection plates and all splice plate material.
 Load carrying components designated "NTR" shall conform to the Supplemental Requirements For Notch Toughness, Zone 2.

FILE NAME =
 D264980-sh-fmgp1n3.dgn

USER NAME = dwoznarski
 PLOT SCALE = 1/8" = 1'-0"
 PLOT DATE = 7/18/2011

DESIGNED - ACB
 CHECKED - JMB
 DRAWN - RLK
 CHECKED - ACB

REVISD -
 REVISD -
 REVISD -
 REVISD -

**STATE OF ILLINOIS
 DEPARTMENT OF TRANSPORTATION**

**FRAMING PLAN - SPANS 5 & 6
 STRUCTURE NO. 098-0115**
 SHEET NO. 55 OF 103 SHEETS

F.A.P. RTE.	SECTION	COUNTY	TOTAL SHEETS	SHEET NO.
646	1B-2	WHITESIDE	257	158
				CONTRACT NO. 64B80
ILLINOIS FED. AID PROJECT				