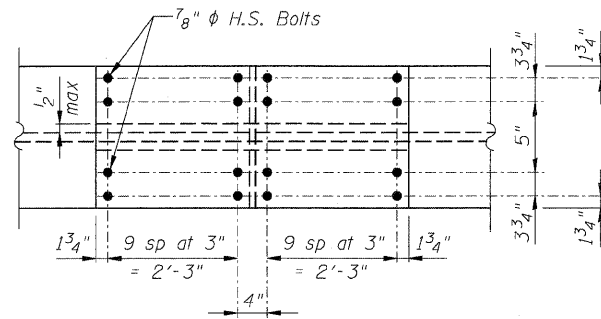
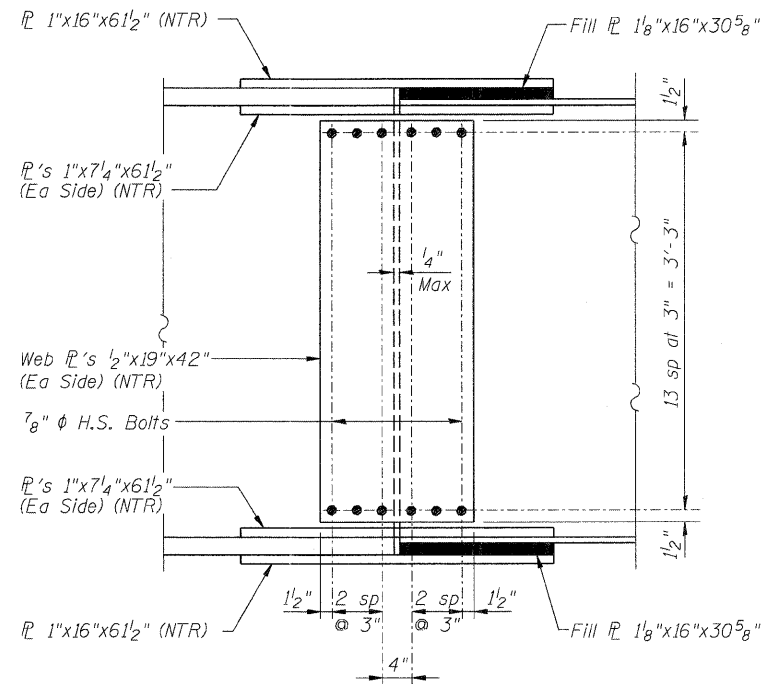


WEB SPLICE PLATE

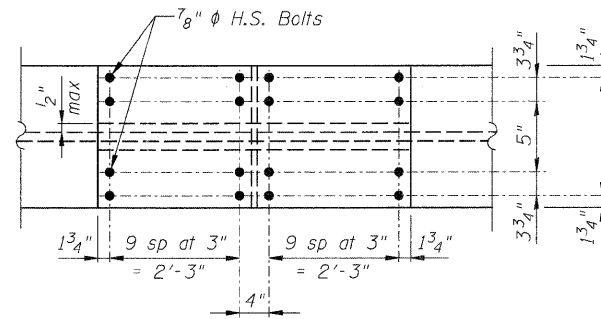


TOP & BOTTOM FLANGE SPLICE PLATE

FIELD SPLICE #1 DETAIL

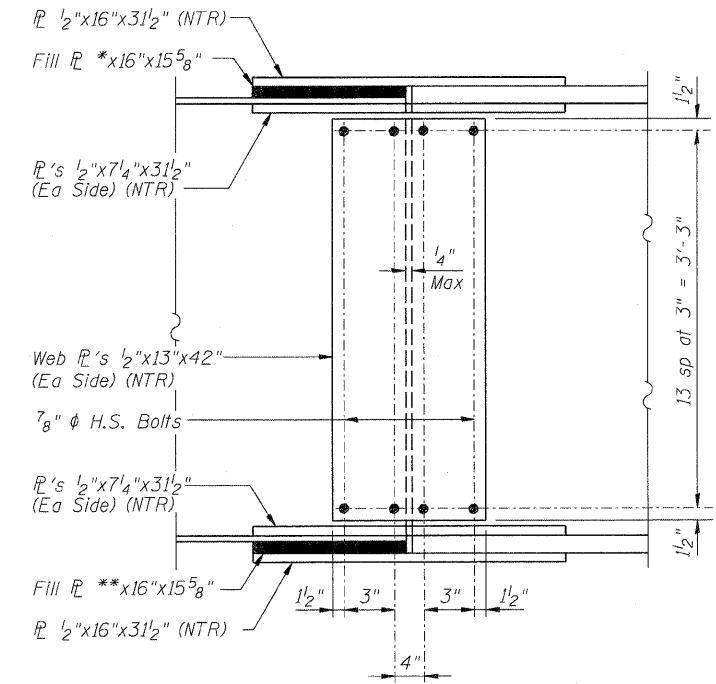


WEB SPLICE PLATE

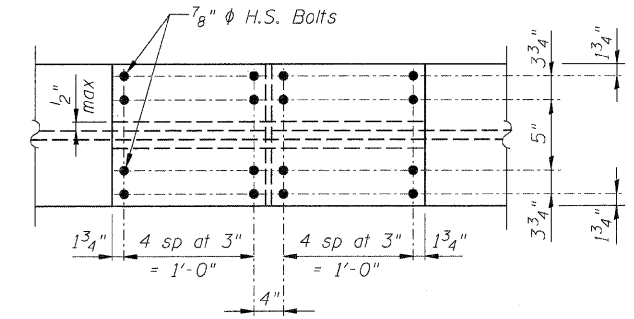


TOP & BOTTOM FLANGE SPLICE PLATE

FIELD SPLICE #2 DETAIL



WEB SPLICE PLATE



TOP & BOTTOM FLANGE SPLICE PLATE

FIELD SPLICE #3 THRU #14 DETAIL

Splice No.	Fill PL*	Fill PL**
3	3/4"	3/8"
4	3/4"	1/2"
5	3/4"	1/2"
6	3/4"	3/4"
7	1/2"	1/2"
8	1/2"	1/2"
9	3/4"	3/4"
10	5/8"	3/8"
11	3/8"	1/8"
12	1/2"	1/2"
13	1/2"	1/2"
14	1/2"	3/8"

NOTES:

Structural steel shall be AASHTO M270 Grade 50 for all splice plate material.

Load carrying components designated "NTR" shall conform to the Supplemental Requirements For Notch Toughness, Zone 2.

FILE NAME = D264888-shr-fmgd1s2.dgn

USER NAME = dwozniarski
 PLOT SCALE = 1/8" = 1'-0"
 PLOT DATE = 7/18/2011

DESIGNED - ACB
 CHECKED - JMB
 DRAWN - RLK
 CHECKED - ACB

REVISED -
 REVISED -
 REVISED -
 REVISED -

STATE OF ILLINOIS
 DEPARTMENT OF TRANSPORTATION

FRAMING DETAILS (SHEET 2 OF 4)
 STRUCTURE NO. 098-0115

SHEET NO. 58 OF 103 SHEETS

F.A.P. RTE.	SECTION	COUNTY	TOTAL SHEETS	SHEET NO.
646	IB-2	WHITESIDE	257	161
				CONTRACT NO. 64B80
ILLINOIS FED. AID PROJECT				