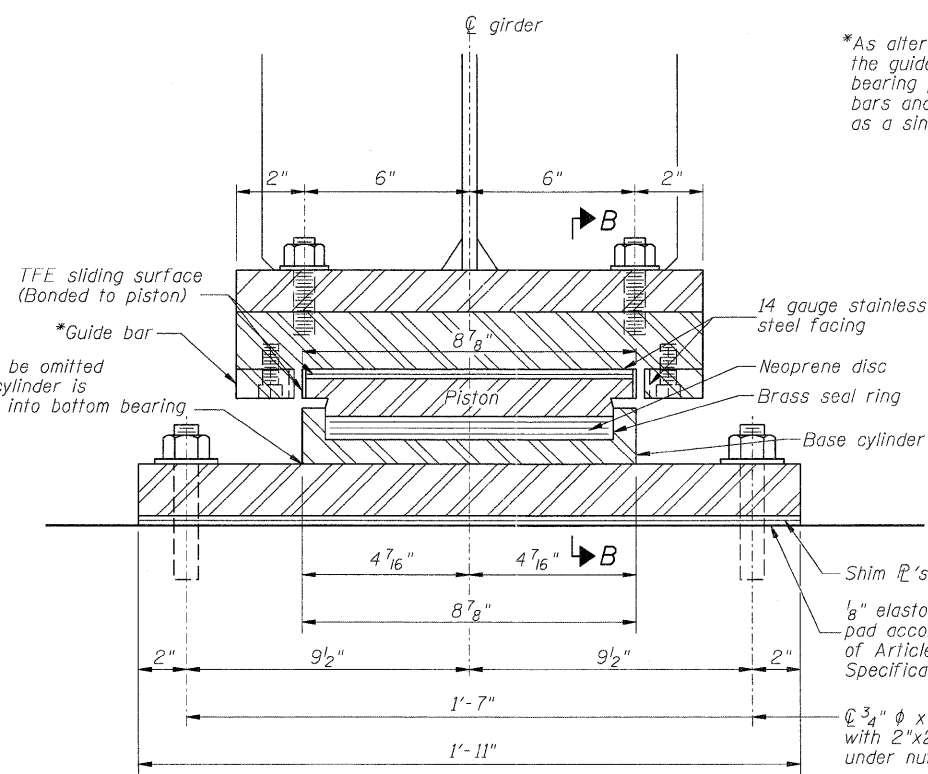
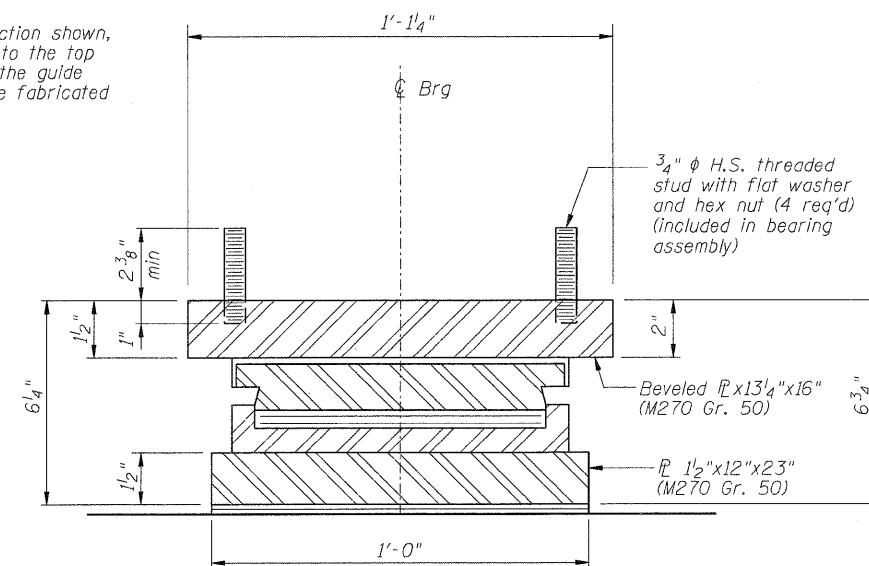


ELEVATION AT NORTH ABUTMENT

GUIDED EXPANSION POT BEARING



SECTION A-A



SECTION B-B

*As alternates to the bolted connection shown, the guide bars may be connected to the top bearing plate by groove welds or the guide bars and top bearing plate may be fabricated as a single piece.

Weld may be omitted if base cylinder is recessed into bottom bearing

*Guide bar

TFE sliding surface (Bonded to piston)

14 gauge stainless steel facing

Neoprene disc

Brass seal ring

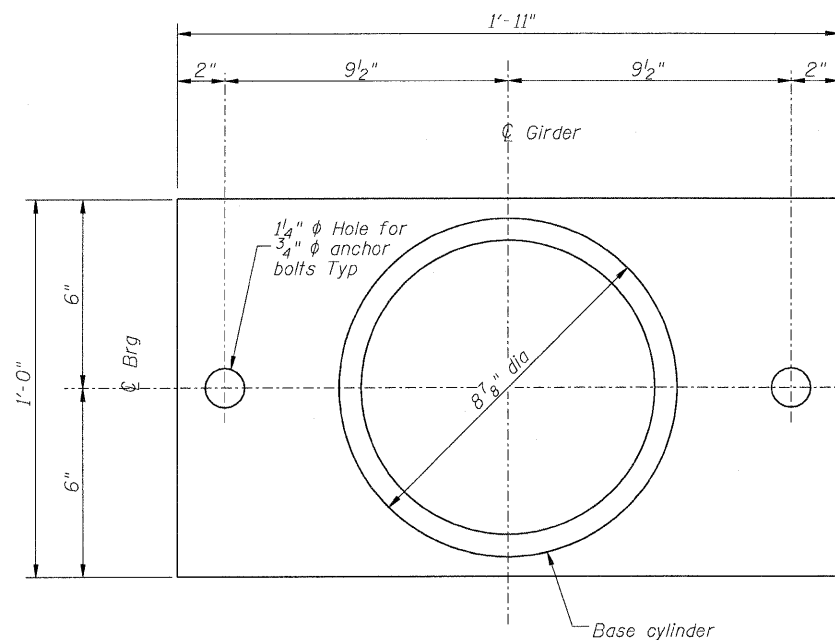
Base cylinder

Shim P's if req'd

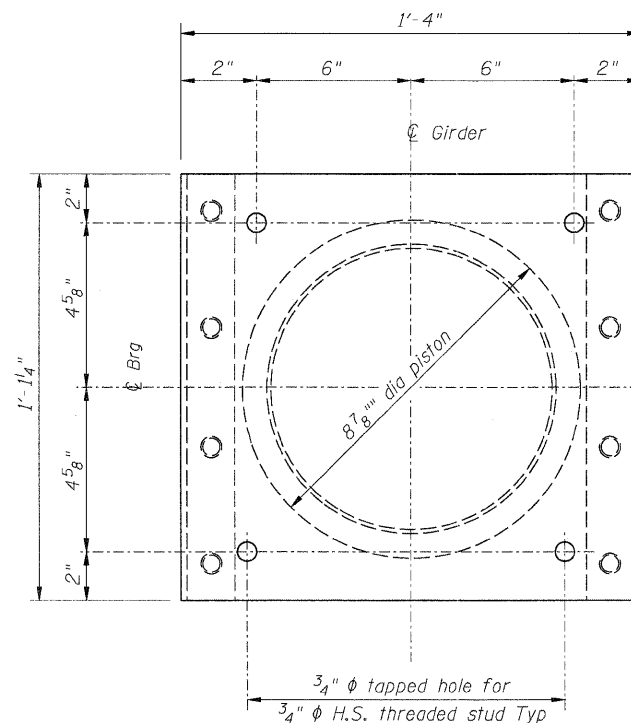
1/8" elastomeric neoprene leveling pad according to the material properties of Article 1052.02(a) of the Standard Specifications. Cost included with Bearing

3/4" ϕ x 1'-0" anchor bolts (F1554, Grade 36) with 2"x2"x3/8" P washer under nut. 1/4" ϕ holes in bottom P

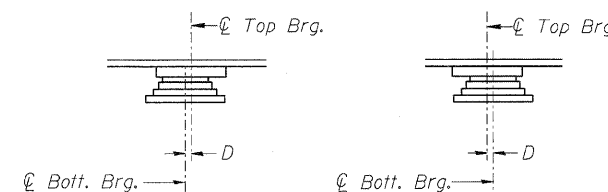
Bearing Data	
Vertical design load	141 k
Total required movement	6"



BOTTOM BEARING PLATE AND BASE CYLINDER PLAN



TOP BEARING PLATE AND PISTON PLAN



BELOW 50°F.
(Move bott. brg. away from fixed brg.)

ABOVE 50°F.
(Move bott. brg. toward fixed brg.)

SETTING ANCHOR BOLTS AT EXP. BRG.

D=1/8" per each 100' of expansion for every 15° temp. change from the normal temp. of 50°F.

NOTES

- The structural steel plates of the Bearing Assembly shall conform to the requirements of AASHTO M270, Grade 50.
- Cost of top and bottom bearing assembly plates, 1/8" Elastomeric Neoprene, shim plates and threaded studs with washer shall be included with "High Load Multi-Rotation, Guided Expansion 150k".
- Anchor bolts shall be ASTM F1554 all-thread (or an Engineer approved alternative material) of the grade and diameter specified. ASTM A307 Grade C anchor bolts may be used in lieu of ASTM F1554 Grade 36 (Fy=36 ksi)
- Anchor bolts may be cast in place or installed in holes drilled after members are in place. Drilled and set anchor bolts shall be installed according to Article 521.06 of the Standard Specifications.
- Two 1/8" adjusting shims shall be provided for each bearing in addition to all other plates or shims and placed as shown in bearing details.
- The bearing assembly shall be capable of transmitting 20% of the vertical design load as a horizontal force in the direction normal to the guide bars.

BILL OF MATERIAL

Item	Unit	Total
High Load Multi-Rotation Bearings, Guided Expansion 150k	Each	10
Anchor Bolts 3/4"	Each	20

FILE NAME = D264980-sht-brgnabut.dgn

USER NAME = dwozniarski

DESIGNED - ACB

REVISED -

CHECKED - JMB

REVISED -

DRAWN - RLK

REVISED -

CHECKED - ACB

REVISED -

PLOT SCALE = 1/8" = 1'-0"

PLOT DATE = 7/18/2011

STATE OF ILLINOIS
DEPARTMENT OF TRANSPORTATION

BEARING DETAILS - NORTH ABUTMENT
STRUCTURE NO. 098-0115

SHEET NO. 66 OF 103 SHEETS

F.A.P. RTE.	SECTION	COUNTY	TOTAL SHEETS	SHEET NO.
646	IB-2	WHITESIDE	257	169
				CONTRACT NO. 64B80
ILLINOIS FED. AID PROJECT				