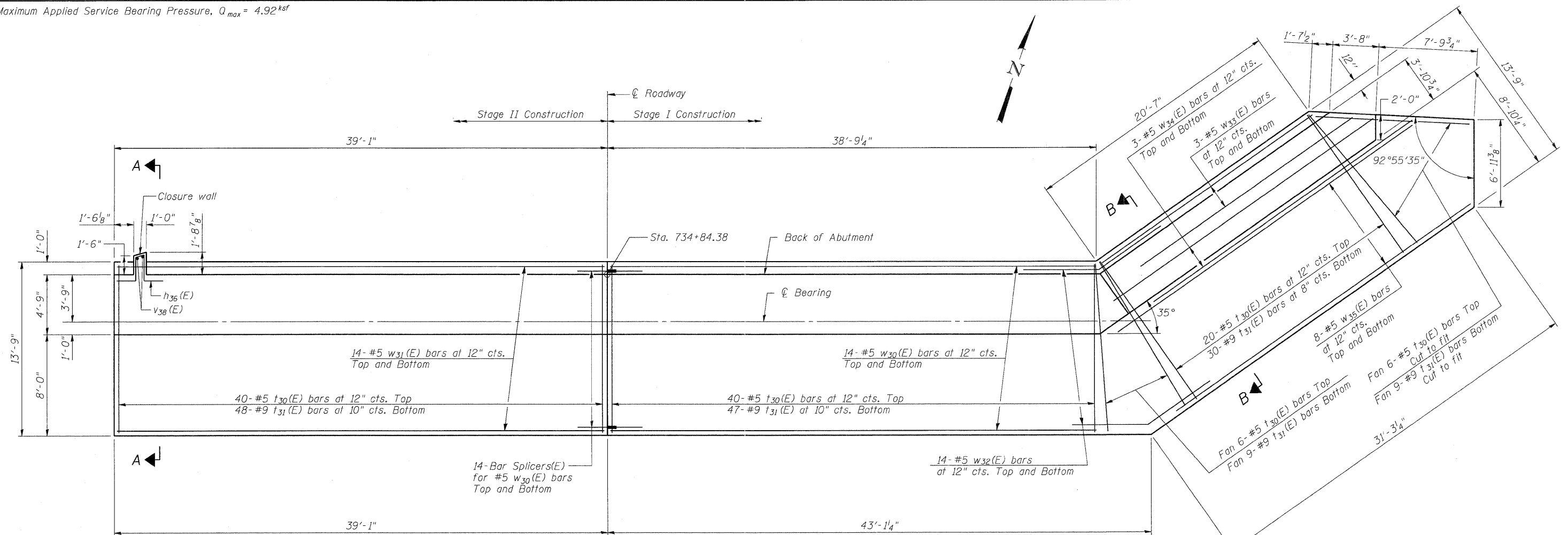
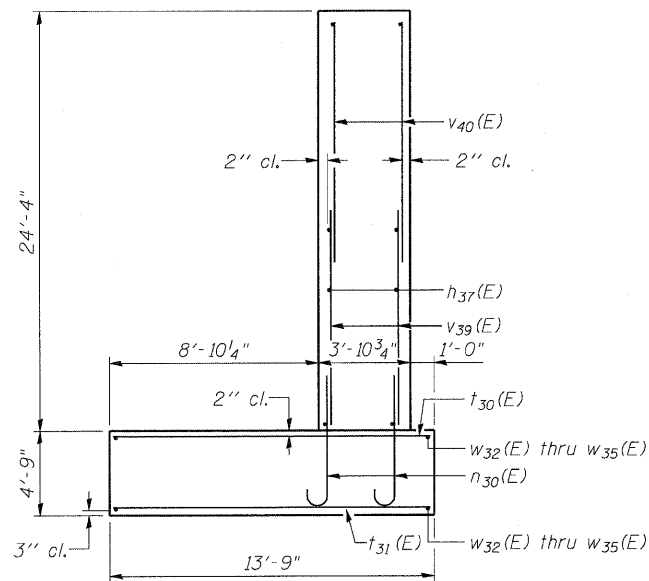


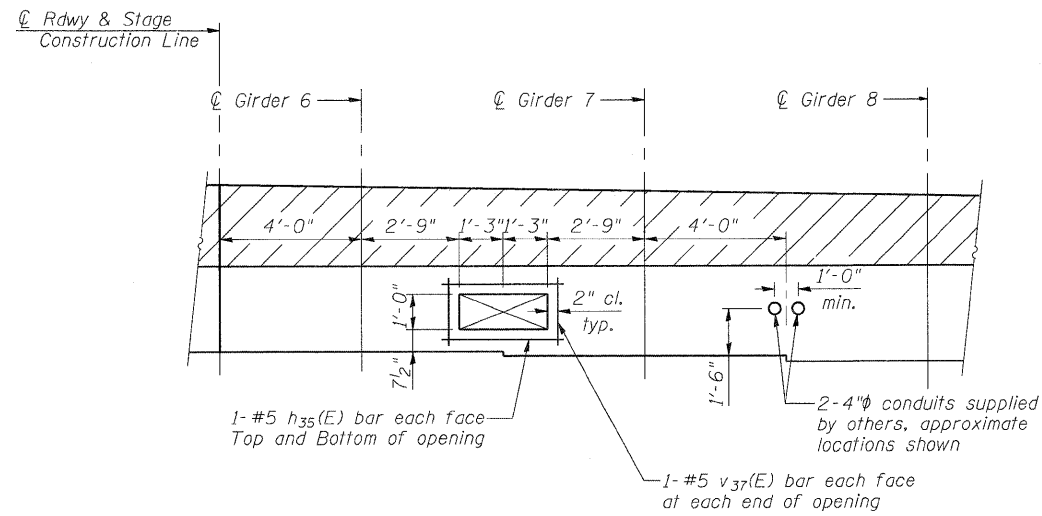
Maximum Applied Service Bearing Pressure, $Q_{max} = 4.92^{ksf}$



FOOTING PLAN



SECTION B-B



DETAIL A
(Showing Abutment backwall openings)

See Sheet 82 of 103 for Bar Splicer details.
See Sheet 70 of 103 for Sec. A-A,
bar details and Bill of Material.

FILE NAME =
D264888-shr-ABUT2.dgn

USER NAME = dwoznarski

DESIGNED - CME
CHECKED - MCB

REVISED -
REVISED -
REVISED -
REVISED -

PLOT SCALE = 4x/8.000000 1" / 16'
PLOT DATE = 7/18/2011

DRAWN - MML
CHECKED - MCB

**STATE OF ILLINOIS
DEPARTMENT OF TRANSPORTATION**

**NORTH ABUTMENT DETAILS
STRUCTURE NO. 098-0115**

SHEET NO. 69 OF 103 SHEETS

		Civil Engineers- Structural Engineers- Land Surveyors-		
		Design Firm License No. 184-002703		
F.A.P. RTE.	SECTION	COUNTY	TOTAL SHEETS	SHEET NO.
646	1B-2	WHITESIDE	257	172
				CONTRACT NO. 64B80
ILLINOIS FED. AID PROJECT				

CB PROJECT NO 09055