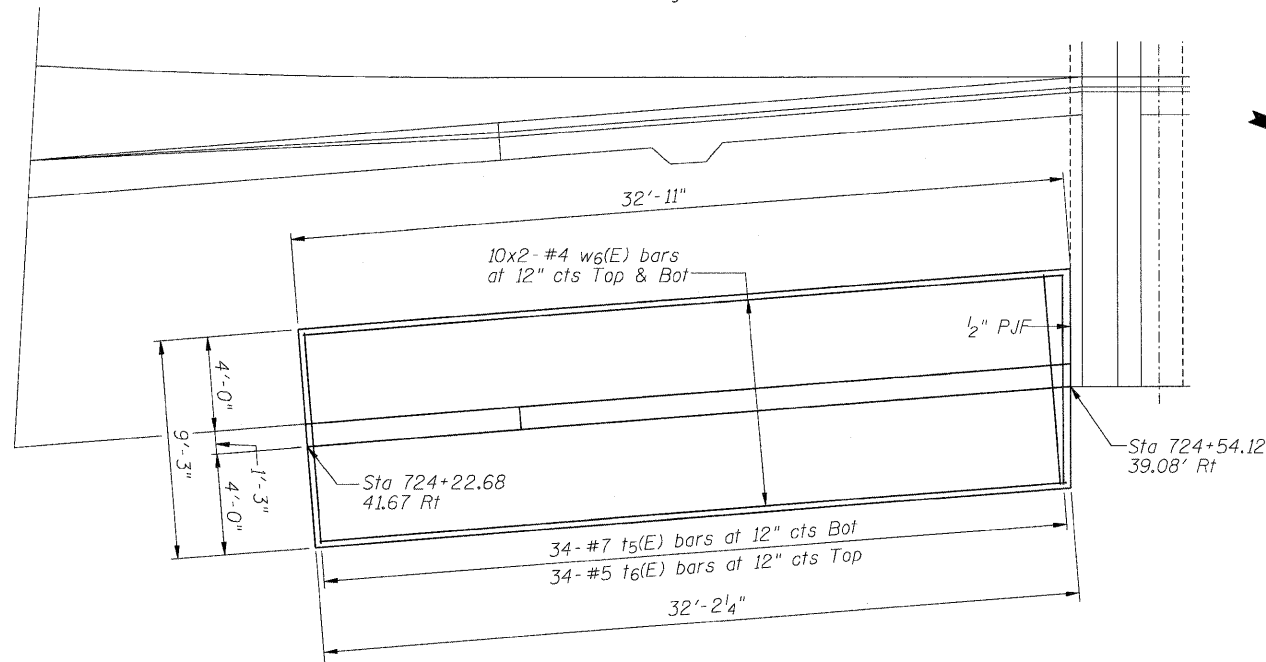
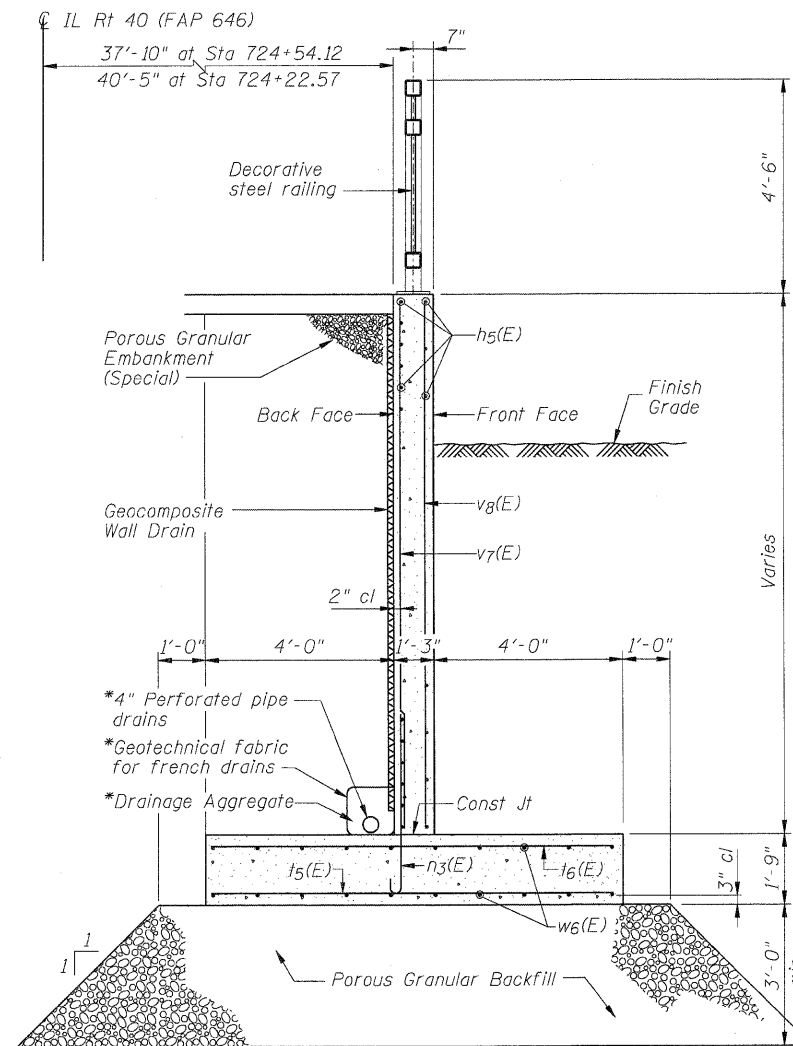


MIN BAR LAP
 #4 bar = 2'-7"
 #7 bar = 5'-2"

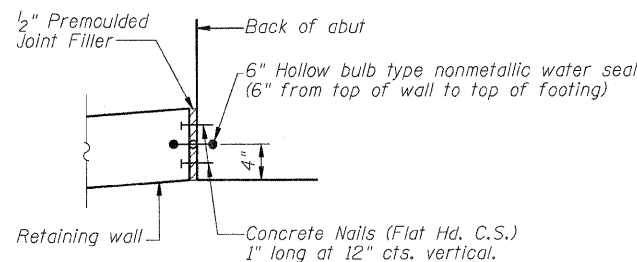
SOUTHEAST RETAINING WALL ELEVATION
 (Looking West)



SOUTHEAST RETAINING WALL PLAN



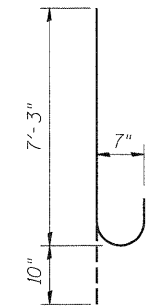
SECTION THRU SOUTHEAST RETAINING WALL
 (Looking North)



CORNER DETAIL

BILL OF MATERIAL

Bar	No.	Size	Length	Shape	
h5(E)	20	#4	32'-2"	—	
n3(E)	37	#7	8'-1"	U	
t5(E)	34	#7	8'-11"	—	
t6(E)	34	#5	8'-11"	—	
v7(E)	37	#7	11'-4"	—	
v8(E)	17	#4	11'-4"	—	
w6(E)	40	#4	17'-7"	—	
Concrete Structures				Cu. Yd.	37.2
Reinforcement Bars, Epoxy Coated				Pound	3430
Pipe Underdrains for Structures, 4"				Foot	31
Porous Granular Embankment (Special)				Cu. Yd.	45
Geocomposite Wall Drain				Sq. Yd.	38
Porous Granular Backfill				Cu. Yd.	55



BAR n3(E)

NOTES:

- See Roadway Plans for finish grade details.
- For decorative steel railing details see sheets 43-46 of 103.
- Stations, elevations and offsets are measured along front face of wall.
- See Sheet 3 of 103 for more underdrain details.
- *Included in the cost of Pipe Underdrains for Structures, 4". North end of underdrains shall tee into abutment pipe underdrain and shall then exit through hole in retaining wall at approximate location as detailed. South end of underdrain shall be capped.

FILE NAME = D264808-sht-retwall1detail1.dgn

USER NAME = dwoznarski
 DESIGNED - ACB
 CHECKED - JMB
 PLOT SCALE = 4.0000' / IN.
 DRAWN - RLK
 PLOT DATE = 7/18/2011
 CHECKED - ACB

REVISED -
 REVISED -
 REVISED -
 REVISED -

STATE OF ILLINOIS
DEPARTMENT OF TRANSPORTATION

SOUTHEAST RETAINING WALL DETAILS
STRUCTURE NO. 098-0115

SHEET NO. 78 OF 103 SHEETS

F.A.P. RTE.	SECTION	COUNTY	TOTAL SHEETS	SHEET NO.
646	1B-2	WHITESIDE	257	181
				CONTRACT NO. 64B80
ILLINOIS FED. AID PROJECT				