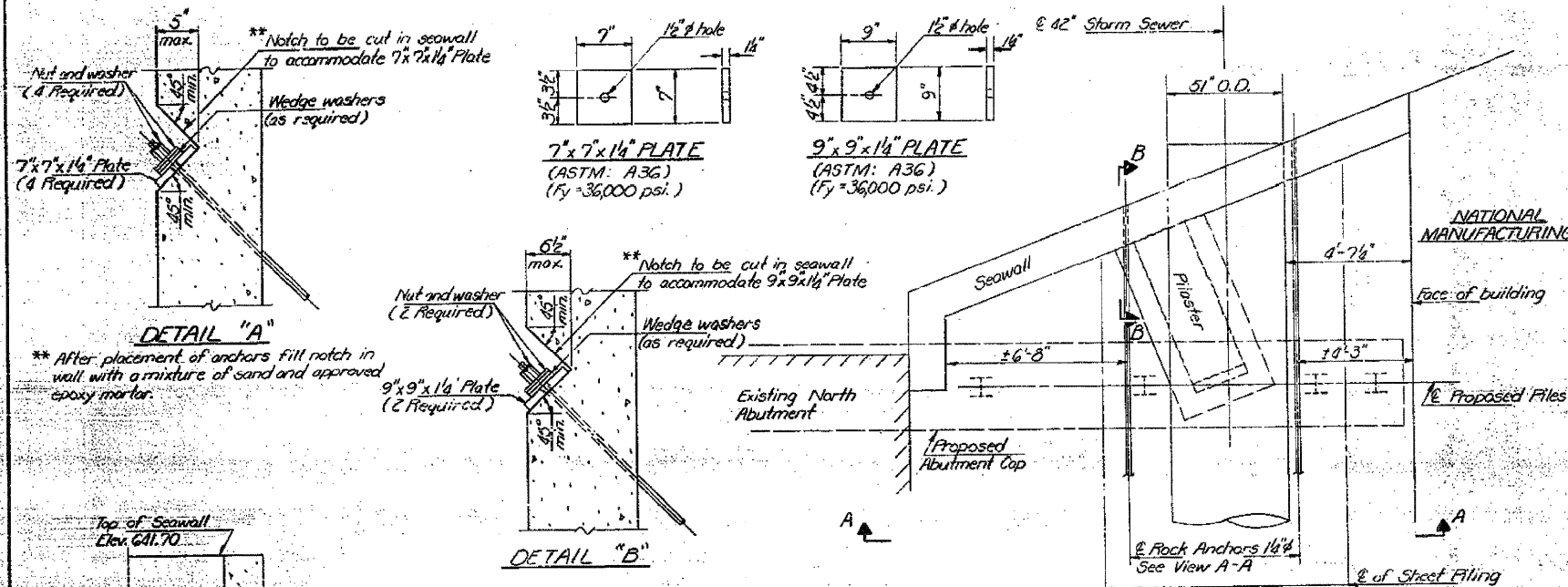


FOR INFORMATION ONLY

STATE OF ILLINOIS
DEPARTMENT OF TRANSPORTATION

GROUP NO.	SECTION	COUNTY	DISTRICT	PROJECT
D.S.L.				
P.A.				
FILE NUMBER (SEE PLAN)	DATE	NO. AND PREPARED		

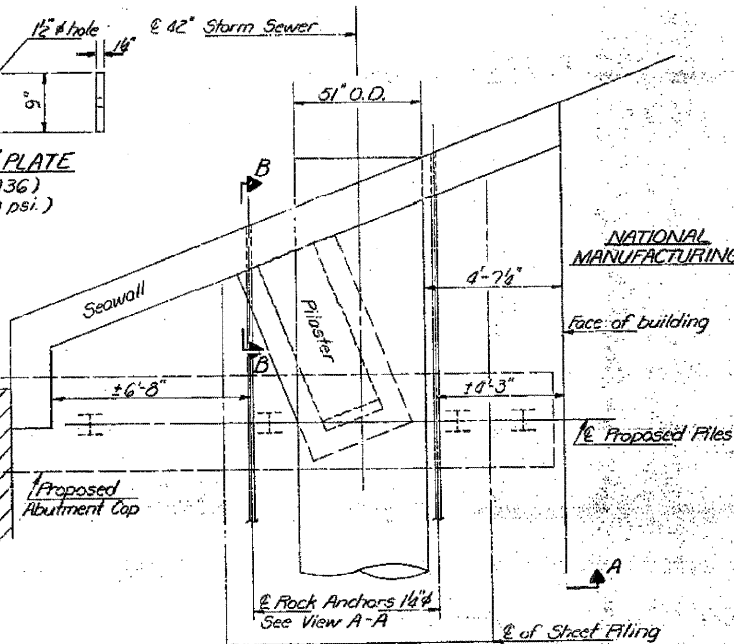
SHEET No. 26
26 SHEETS



DETAIL "A"
** After placement of anchors fill notch in wall with a mixture of sand and approved epoxy mortar.

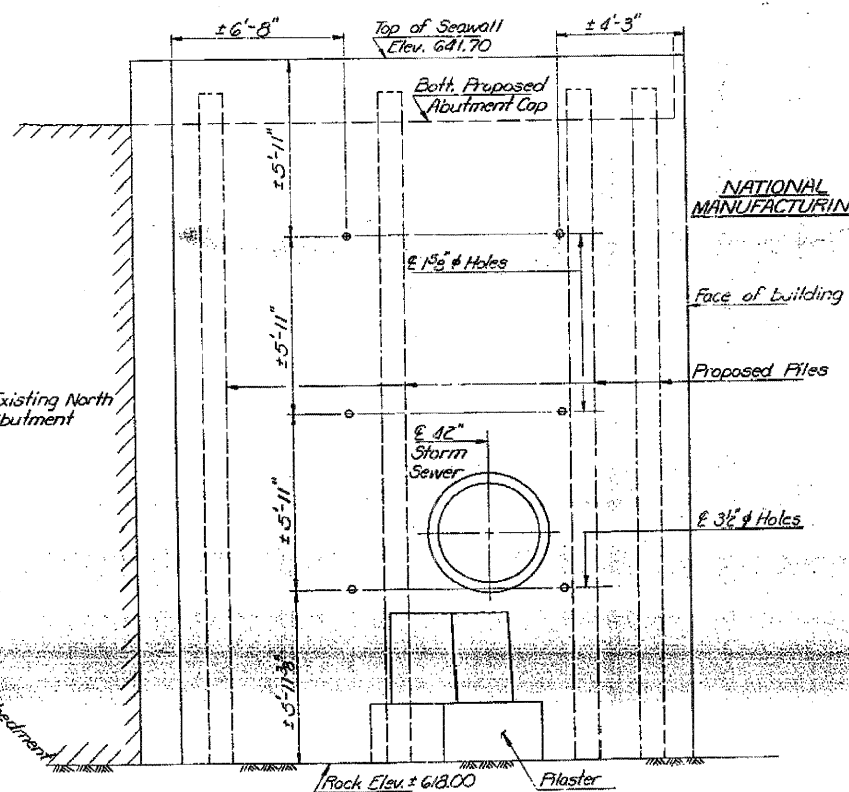
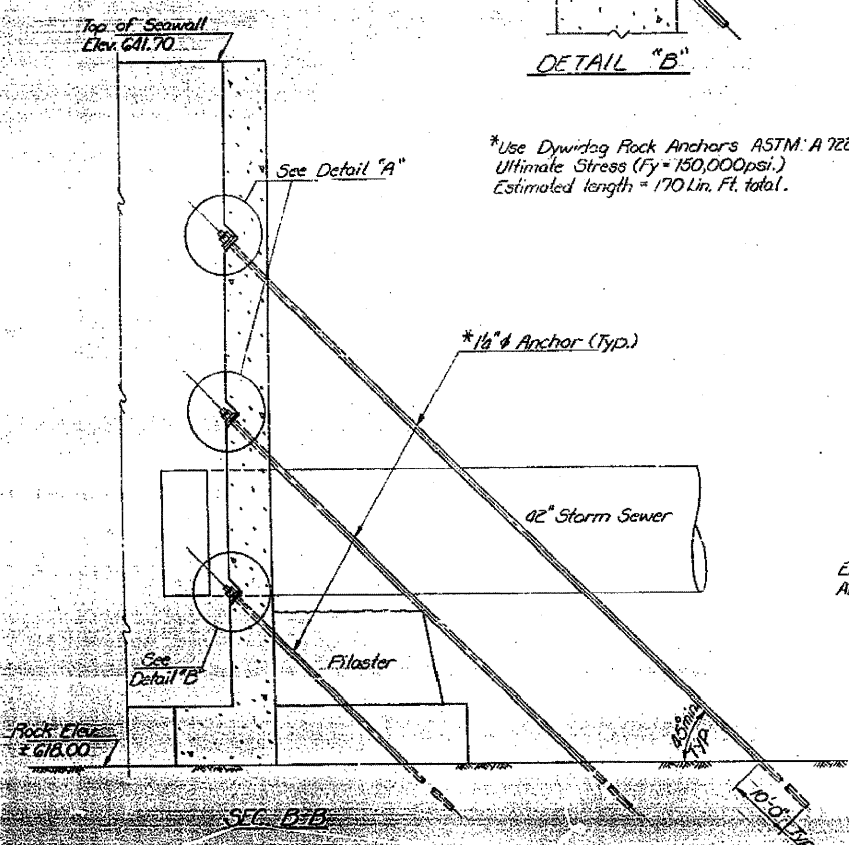
DETAIL "B"
** Notch to be cut in seawall to accommodate 9x9x1/4 Plate (2 Required)

* Use Dwywidag Rock Anchors ASTM A 722-75.
Ultimate Stress (F_y) = 150,000 psi.
Estimated length = 170 Lin. Ft. total.



PLAN

- Notes:
- 1) Drill and clean hole.
 - 2) Insert resin cartridges. Use fast setting resin for embedment length.
 - 3) Insert Dwywidag Anchor. Spin anchor with drill tool at about 1000 rpm. Advance anchor through cartridges while spinning. Spin for 30 to 60 seconds after reaching the bottom of the hole. Total spinning time should not exceed gel time.
 - 4) Mount bearing plate and secure plate with anchor nut. Wedge washers are required when anchor plate is not perpendicular to anchor.
 - 5) Stress test the bottom anchor in each row. Stress each anchor to 49 kips after resin has cured.
 - 6) All anchor nuts shall be tightened to a snug fit.



VIEW A-A

DESIGNED Mike Ryan	EXAMINED
CHECKED James Rancana	PASSED
DRAWN Joe Sutherland	APPROVED
CHECKED GR	

SEAWALL ANCHOR DETAILS
FA. RT. 646 SEC. 1 BR-1
WHITESIDE COUNTY
STATION 14+12.40

SHEET NO.	TOTAL SHEETS	SHEET NO.
31 OF 31	257	242
CONTRACT NO. 64880		
FOR INFORMATION ONLY		