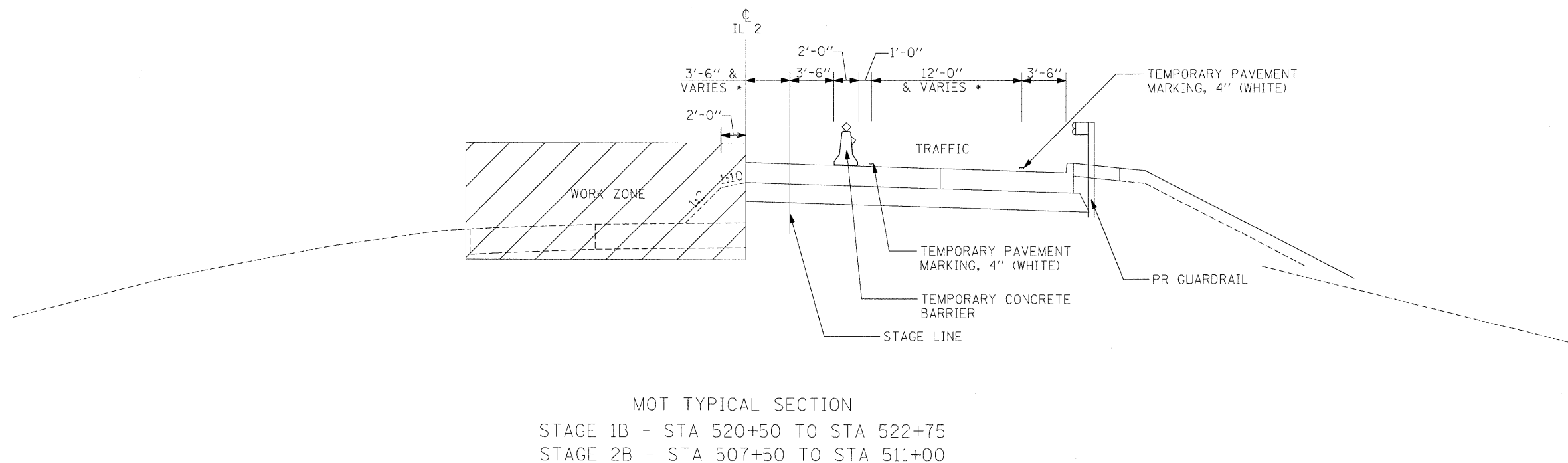
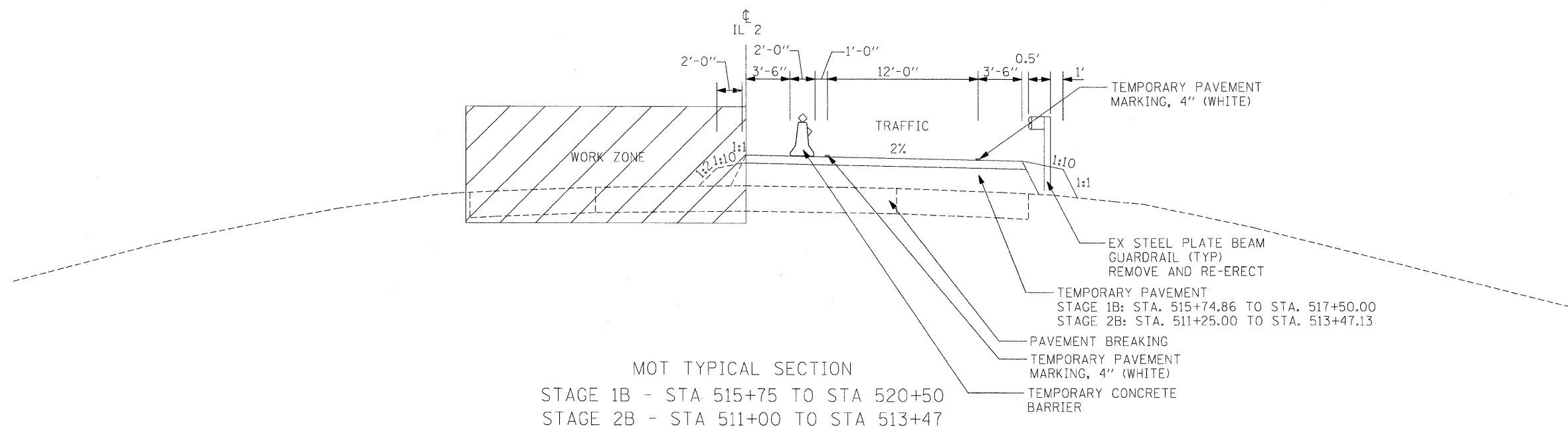


TYPICAL MOT SECTIONS



* VARIES STAGE 1B ONLY - SEE MOT PLANS

FILE NAME =	USER NAME = _USER_	DESIGNED - MTM	REVISED -	STATE OF ILLINOIS DEPARTMENT OF TRANSPORTATION	IL 2 OVER THE BNSF RAILROAD TYPICAL MOT SECTIONS	F.A.P. RTE.	SECTION	COUNTY	TOTAL SHEETS	SHEET NO.	
\\5015-phase11-2&1-26\civil\IL-2\CADD	Sheets\0264016-sh1-MOT typical.dgn	DRAWN - MTM	REVISED -			742	38VBR-1	OGLE	87	21	
	PLOT SCALE = *SCALE*	CHECKED - KK	REVISED -			CONTRACT NO. 64D16					
	PLOT DATE = 6/18/2011	DATE - 8/2/2011	REVISED -			ILLINOIS FED. AID PROJECT					
					SCALE:	SHEET NO. 21 OF 87 SHEETS		STA.	TO STA.		