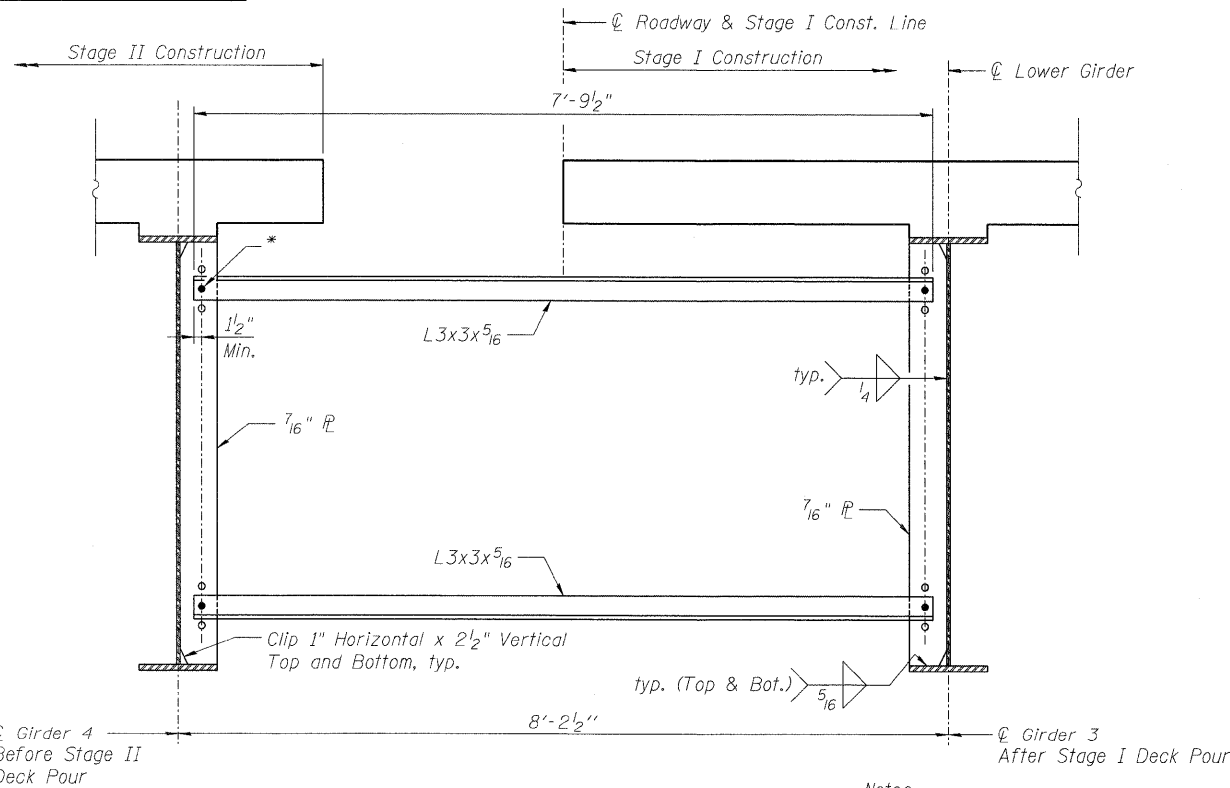


* Fillet weld angle along 3 sides on one face of gusset plate.
 ** 3/4 inch diameter bolts in 1 1/8 inch diameter holes, typical.

INTERIOR CROSS FRAME - CF1
(80 Required)

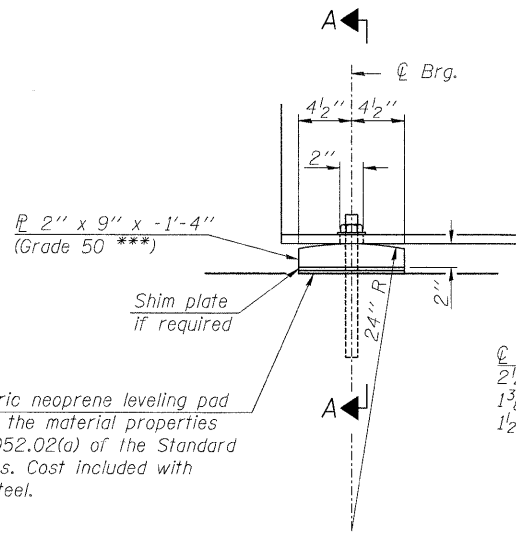
*** See Special Provision for Structural Steel for Bridges



* Field drill holes in L3"x3" angle using center holes in 3 hole sets on crossframe connection plates as a template. Cost included with Furnishing and Erecting Structural Steel.

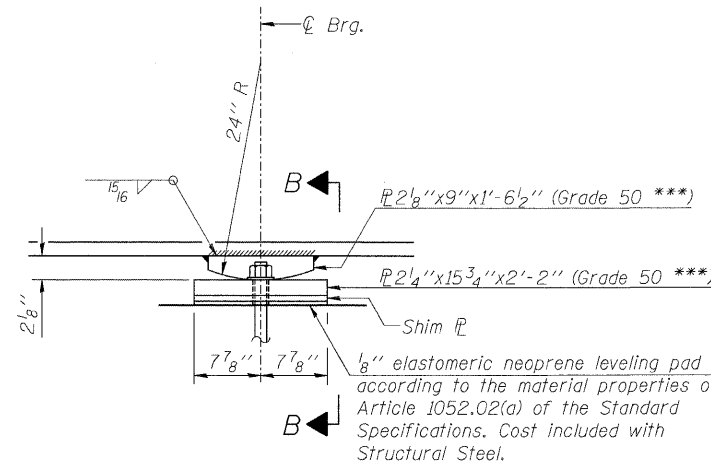
TEMPORARY CROSS FRAME
(6 Required)

- Notes:
1. Stop fillet weld from connection plate to flange 1/4 inch from end of connection plate.
 2. Bolts connecting temporary bracing shall be 7/8 inch diameter bolts in 1 1/8 inch diameter holes. All other holes in connection plates shall be 1 1/8 inch diameter for 3/4 inch diameter bolts.
 3. The temporary cross frame is to be replaced with Interior Cross Frame (CF1) after the stage II deck pour is complete.



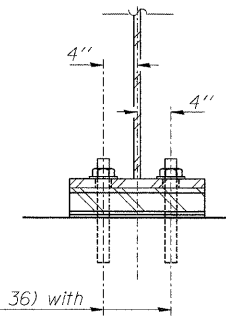
ELEVATION AT ABUTMENT

FIXED BEARING AT ABUTMENTS

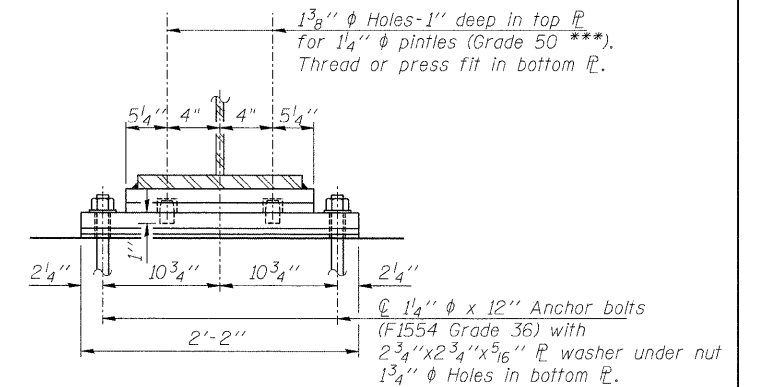


ELEVATION AT PIER

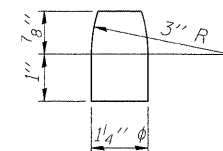
FIXED BEARING AT PIERS



SECTION A-A



SECTION B-B



PINTLE

BILL OF MATERIAL

Item	Unit	Total
Anchor Bolts, 1"	Each	24
Anchor Bolts, 1 1/4"	Each	24

NOTES

1. Anchor bolts shall be ASTM F1554 all-thread (or an Engineer-approved alternate material) of the grade(s) and diameter(s) specified. ASTM A307 Grade C anchor bolts may be used in lieu of ASTM F1554 Grade 36 (Fy=36ksi). The corresponding specified grade of AASHTO M314 anchor bolts may be used in lieu of ASTM F1554.
2. Anchor bolts at fixed bearings may be either cast in place or installed in holes drilled after the supported member is in place.
3. Drilled and set anchor bolts shall be installed according to Article 521.06 of the Standard Specifications.
4. Two 1/8 inch adjusting shims shall be provided for each bearing in addition to all other plates or shims and placed as shown on bearing details.

T:\A\015-Phase II\11-2&11-26\Struct\vdgr\11-2.dgn, 0710097-64D16-017-502.dgn

LOCHNER
 H.W. LOCHNER, INC.
 CONSULTING ENGINEERS AND PLANNERS
 20 N. WACKER DRIVE, SUITE 1200
 CHICAGO, ILLINOIS 60606

USER NAME =
 FILE NAME = 0710097-64D16-017-502.dgn
 PLOT SCALE =
 PLOT DATE =

DESIGNED - CMM
 CHECKED - GWS
 DRAWN - EF
 CHECKED - GWS

REVISED -
 REVISED -
 REVISED -
 REVISED -

STATE OF ILLINOIS
DEPARTMENT OF TRANSPORTATION

STRUCTURAL STEEL DETAILS II
STRUCTURE 071-0097

SHEET NO. 17 OF 26 SHEETS

F.A.P. RTE.	SECTION	COUNTY	TOTAL SHEETS	SHEET NO.
742	38VBR-1	OGLE	87	78
CONTRACT NO. 64D16				
ILLINOIS FED. AID PROJECT				