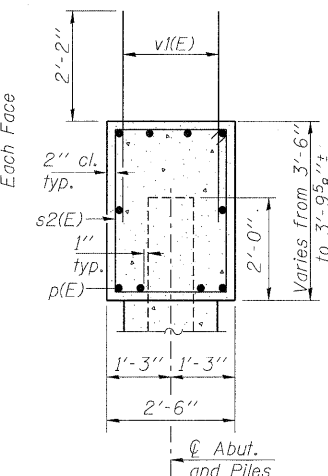
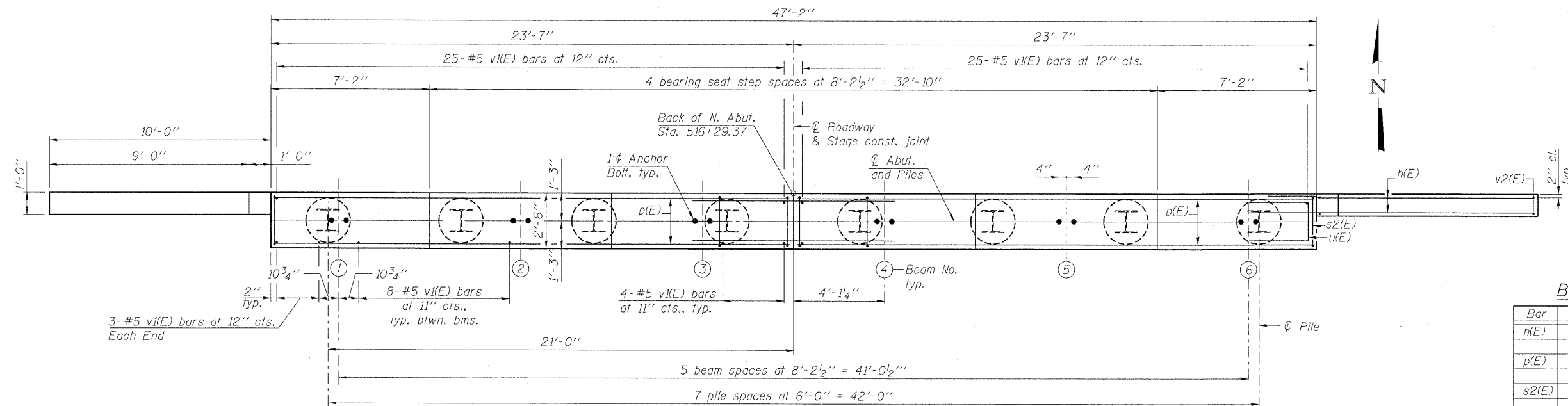


ELEVATION



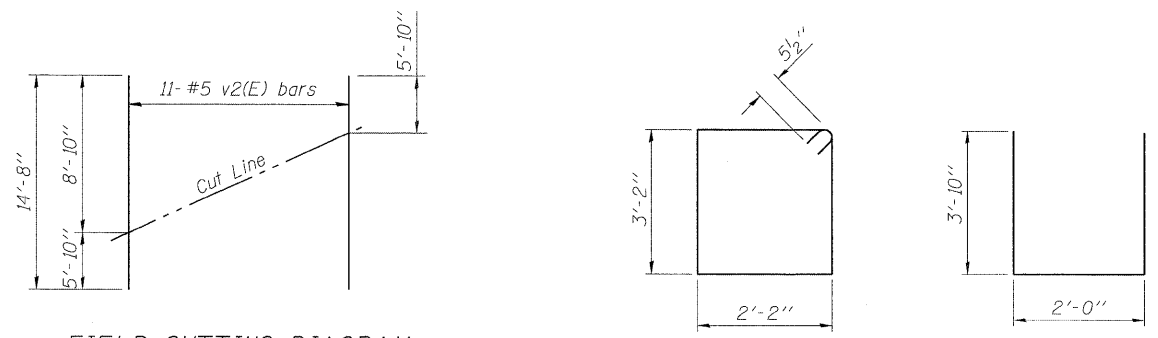
SEC. THRU ABUT.



PLAN

PILE DATA

Type: HP 10x42  
 Nominal Required Bearing: 335 kips  
 Factored Resistance Available: 186 kips  
 Est. Length: 22 ft.  
 No. Production Piles: 7  
 No. Test Piles: 1



FIELD CUTTING DIAGRAM

Order v2(E) full length. Cut as shown and use remainder of bars in opposite face.

BILL OF MATERIAL

Bar	No.	Size	Length	Shape
h(E)	48	#6	14'-11"	—
p(E)	20	#7	23'-3"	—
s2(E)	56	#5	11'-7"	□
u(E)	8	#6	9'-8"	—
v1(E)	96	#5	4'-4"	—
v2(E)	22	#5	14'-8"	—
Structure Excavation			Cu. Yd.	99
Concrete Structures			Cu. Yd.	21.7
Reinforcement Bars, Epoxy Coated			Pound	3,590
Furnishing Steel Piles, HP10x42			Foot	154
Driving Piles			Foot	154
Test Pile Steel, HP10x42			Each	1
Concrete Encasement			Cu. Yd.	2.8

NOTES

1. Pour steps monolithically with cap.
2. For details of Bar Splicers, see sheet 23 of 26.
3. For details of piles and Concrete Encasement, see sheet 22 of 26.

T:\B015-Phase II, IL-281L-205-Struct\1.dgn\11.2.dgn\0710097-64D16-018-NAL.dgn