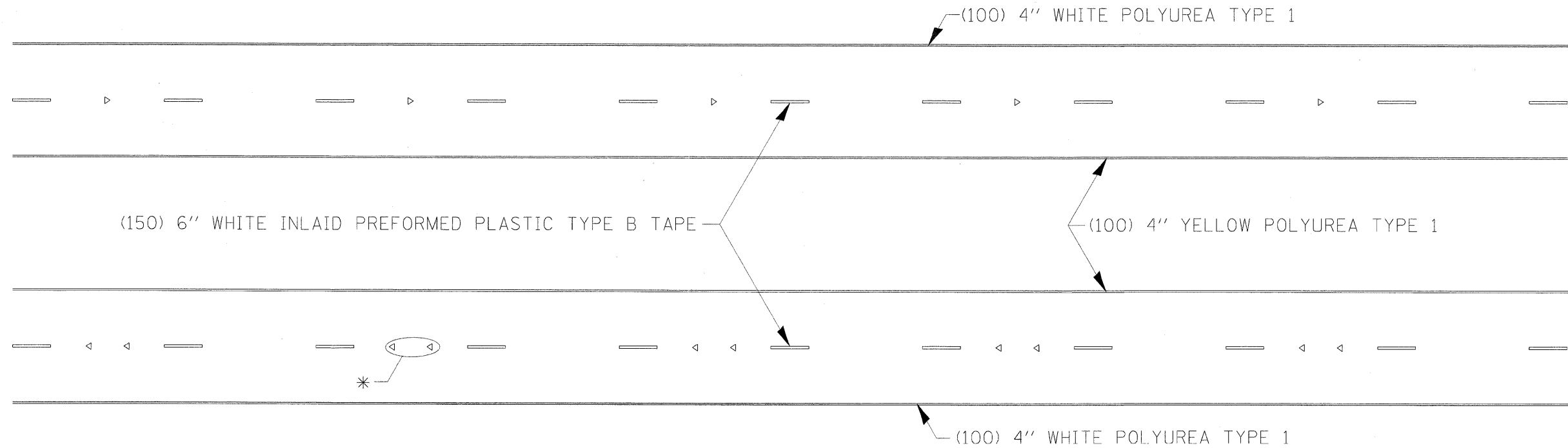
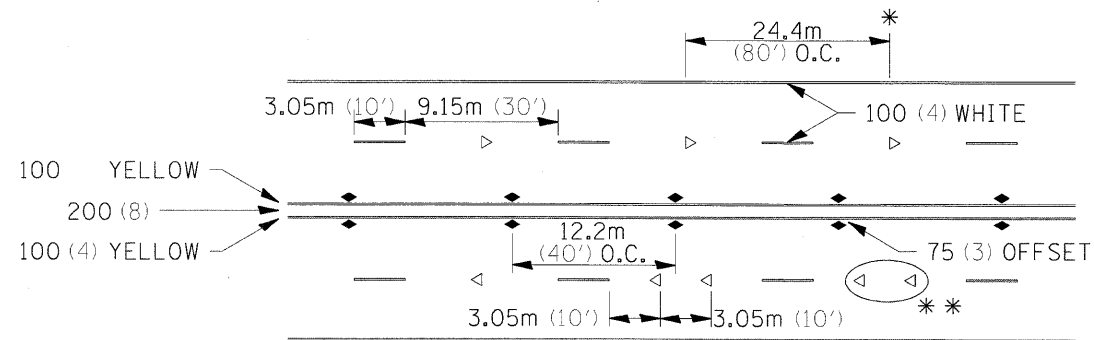


TYPICAL PAVEMENT MARKINGS



* SEE HIGHWAY STANDARD 781001 FOR SPACING DETAILS.
USE DOUBLE MARKERS WHEN ADT \geq 25,000.

MULTI-LANE / DIVIDED



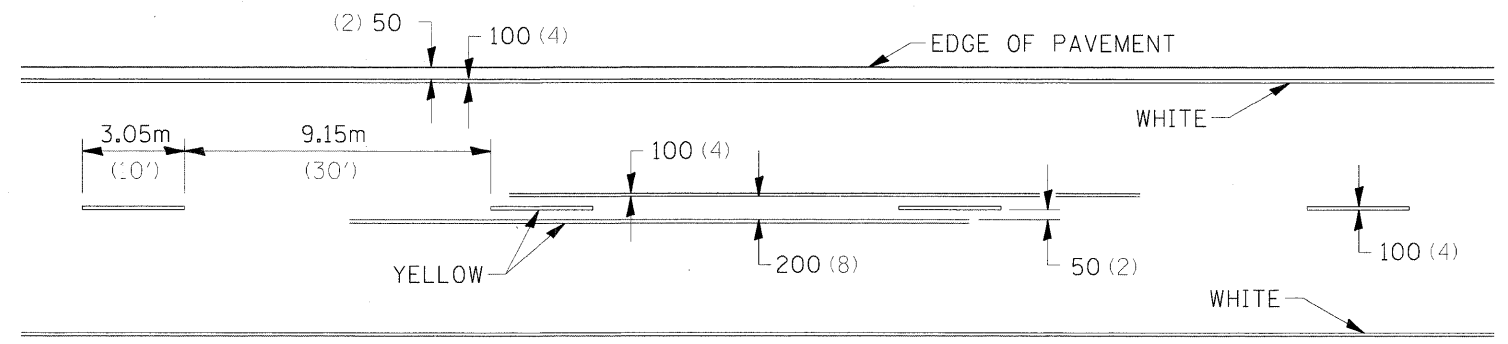
* REDUCE TO 12.2m (40') O.C. ON CURVES WHERE ADVISORY SPEEDS ARE 15km/H (10MPH) LOWER THAN POSTED SPEEDS.

** USE DOUBLE MARKERS WHEN ADT \geq 25,000

MULTI-LANE / UNDIVIDED

SYMBOLS

TYPICAL PAVEMENT MARKING FOR TWO LANE SECTION - NO PASSING ZONES



FILE NAME =	USER NAME = USER.	DESIGNED -	REVISED - 10-21-08	STATE OF ILLINOIS DEPARTMENT OF TRANSPORTATION	REGION 2 / DISTRICT 2 STANDARD	F.A.P. RTE.	SECTION	COUNTY	TOTAL SHEETS	SHEET NO.
tu\5015-phenon.il-2&l-26\civil\il-26\CADD	Sheets\0264017-sht-Details.dgn	DRAWN -	REVISED -			316	4VBR-1	OGLE	73	26
	PLCT SCALE = #SCALE#	CHECKED -	REVISED -			CONTRACT NO. 64D17				
	PLCT DATE = 8/18/2011	DATE -	REVISED -			SCALE:	SHEET NO. 26 OF 73 SHEETS	STA.	TO STA.	FED. ROAD DIST. NO.