

**GENERAL NOTES**

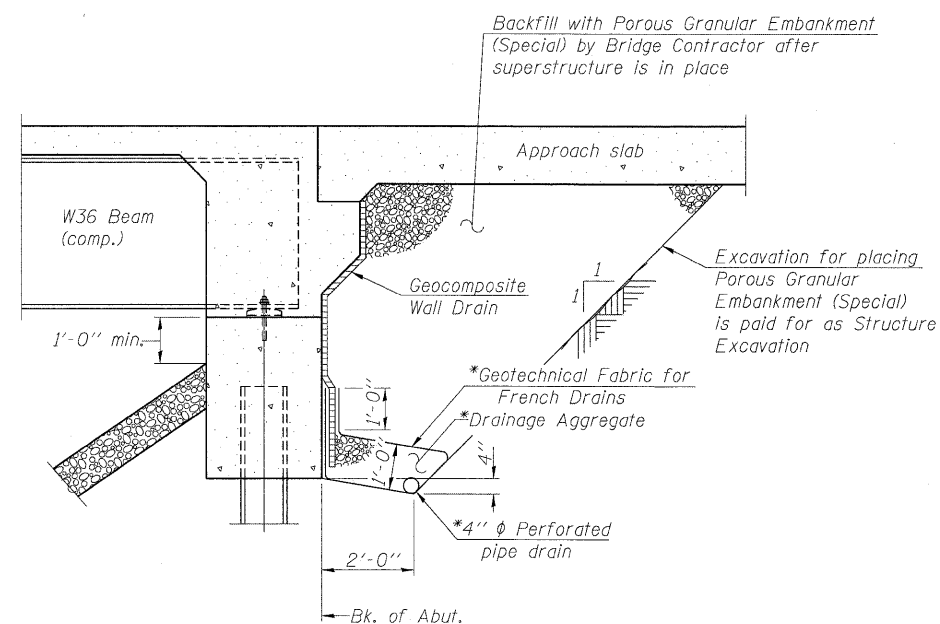
- Fasteners shall be AASHTO M164 Type 1, mechanically galvanized bolts. Bolts 7/8-in.  $\phi$ , holes 15/16-in.  $\phi$ , unless otherwise noted.
- Calculated weight of Structural Steel M270 Grade 36 = 24,180 lbs.  
Calculated weight of Structural Steel M270 Grade 50 = 362,630 lbs.
- No field welding is permitted except as specified in the contract documents.
- Reinforcement bars shall conform to the requirements of ASTM A 706 Gr 60. See Special Provisions.
- Reinforcement bars designated (E) shall be epoxy coated.
- Bearing seat surfaces shall be constructed or adjusted to the designated elevations within a tolerance of 1/8 inch (0.01 ft.). Adjustment shall be made either by grinding the surface or by shimming the bearings.
- The Inorganic Zinc Rich Primer / Acrylic / Acrylic Paint System shall be used for shop and field painting of new structural steel except where otherwise noted. The color of the final finish coat for all interior steel surfaces shall be Gray, Munsell No. 5B 7/1. The color of the final finish coat for the exterior and bottom flange of the fascia beams shall be Blue, Munsell No. 10B 3/6. See Special Provision for "Cleaning and Painting New Metal Structures".
- Slipforming of parapets will not be allowed.
- The existing structural steel coating contains lead. The Contractor shall take appropriate precautions to deal with the presence of lead on this project.
- Stage I on Structural plans corresponds to Stage 3A on Roadway plans; Stage II on Structural plans corresponds to Stage 3B on Roadway plans.

**INDEX OF SHEETS**

- General Plan and Elevation
- General Notes, Index of Sheets & Bill of Material
- Staging Details
- Top of Slab Elevation Plan
- Top of Slab Elevations I
- Top of Slab Elevations II
- Top of Slab Elevations III
- Top of North Approach Slab Elevations
- Top of South Approach Slab Elevations
- Deck Plan
- Deck Cross Section
- Integral Abutment Diaphragm Details
- Superstructure Details
- Bridge Approach Slab Details I
- Bridge Approach Slab Details II
- Framing Plan
- Structural Steel Details I
- Structural Steel Details II
- North Abutment Plan & Elevation
- South Abutment Plan & Elevation
- Pier 1
- Pier 2
- Pier 3
- HP Pile Details
- Bar Splicer Assembly Details
- Temporary Concrete Barrier
- Soil Boring Logs I
- Soil Boring Logs II
- Soil Boring Logs III

**TOTAL BILL OF MATERIAL**

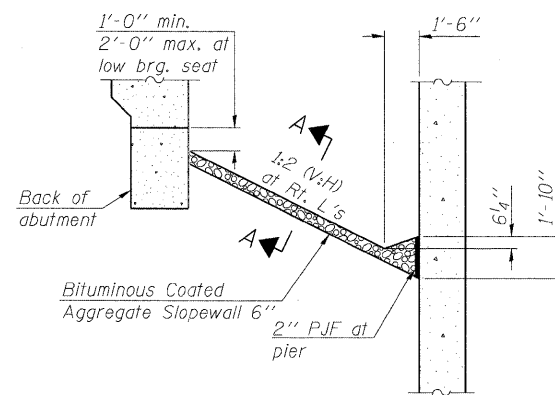
ITEM	UNIT	SUPER	SUB	TOTAL
Porous Granular Embankment (Special)	Cu. Yd.		158	158
Removal of Existing Structures	Each			1
Protective Shield	Sq. Yd.	248		248
Structure Excavation	Cu. Yd.		292.9	292.9
Floor Drains	Each	6		6
Concrete Structures	Cu. Yd.		450.2	450.2
Concrete Superstructure	Cu. Yd.	621.3		621.3
Bridge Deck Grooving	Sq. Yd.	1726		1726
Concrete Encasement	Cu. Yd.		23.1	23.1
Protective Coat	Sq. Yd.	2098		2098
Furnishing and Erecting Structural Steel	L. Sum	1		1
Stud Shear Connectors	Each	6102		6102
Reinforcement Bars, Epoxy Coated	Pound	157,200	34,420	191,620
Bar Splicers	Each	1346	307	1653
Slopedwall, 4 inch	Sq. Yd.		39	39
Bituminous Coated Aggregate Slopedwall, 6 inch	Sq. Yd.		723	723
Furnishing Steel Piles HP14x73	Foot		2410	2410
Driving Piles	Foot		2410	2410
Test Pile Steel HP14x73	Each		5	5
Temporary Sheet Piling	Sq. Ft.		1116	1116
Name Plates	Each	1		1
Anchor Bolts, 1"	Each	60		60
Geocomposite Wall Drain	Sq. Yd.		86	86
Pipe Underdrains for Structures, 4 inch	Foot		144	144
Asbestos Bearing Pad Removal	Each	150		150
Dewatering Structure No. 1	Each	1		1
Temporary Support System	L. Sum	1		1



**SECTION THRU INTEGRAL ABUTMENT**  
(Horiz. dim. @ Rt. L's)

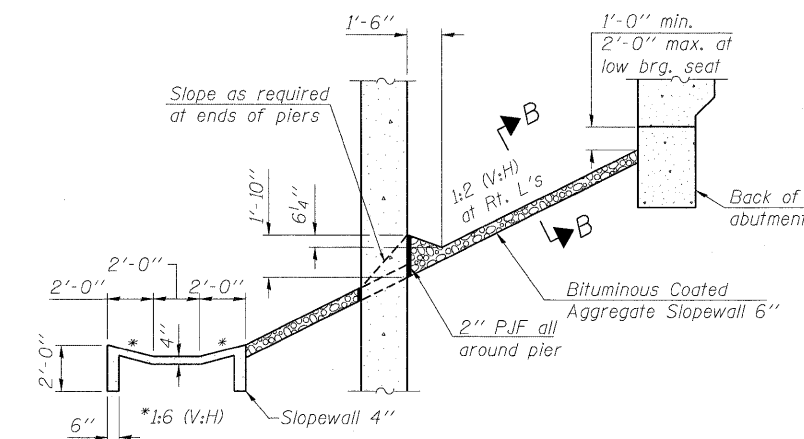
\*Included in the cost of Pipe Underdrains for Structures.

Note:  
All drainage system components shall extend to 2'-0" from the end of each wingwall except an outlet pipe shall extend until intersecting with the side slopes. The pipes shall drain into concrete headwalls. (See Article 601.05 of the Standard Specifications and Highway Standard 601101).



**SECTION THRU NORTH SLOPEWALL**

See sheet 1 of 29 for Section A-A



**SECTION THRU SOUTH SLOPEWALL**

See sheet 1 of 29 for Section B-B

T:\N015-Phase II.LL-2&L-25 Structure\Sign\1.26.dgn \0710096-64017-002-GN-BM.dgn