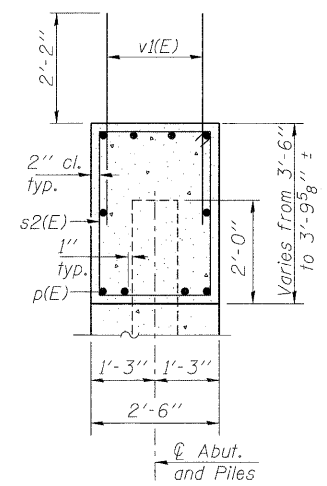
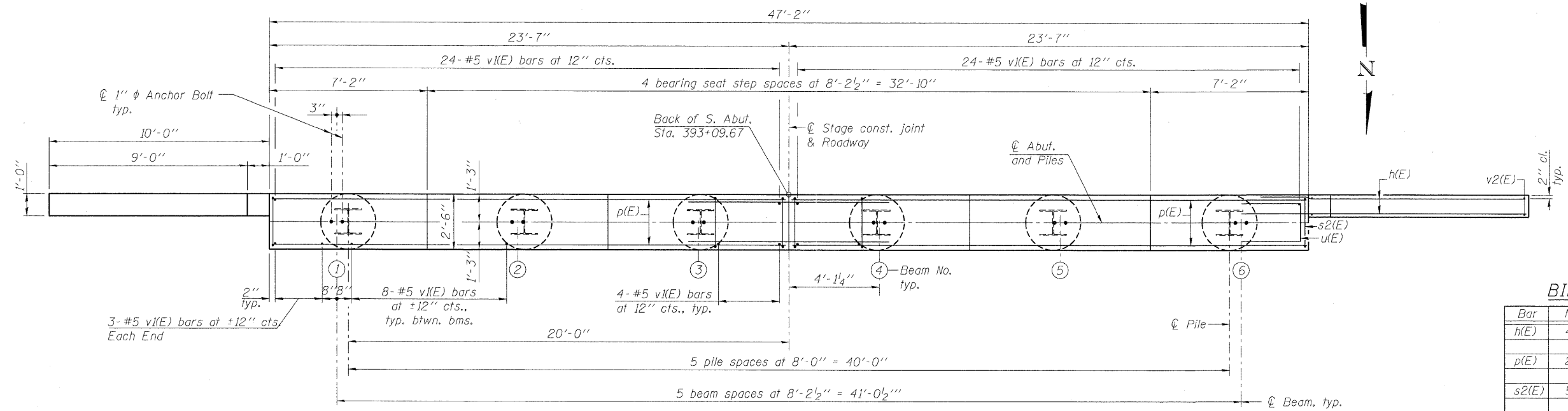


ELEVATION



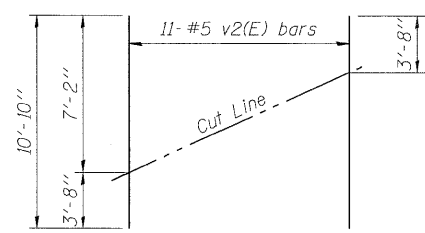
SEC. THRU ABUT.



PLAN

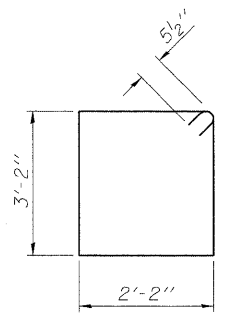
PILE DATA

Type: HP 14 x 73  
 Nominal Required Bearing: 578 kips  
 Factored Resistance Available: 321 kips  
 Est. Length: 70 ft.  
 No. Production Piles: 5  
 No. Test Piles: 1

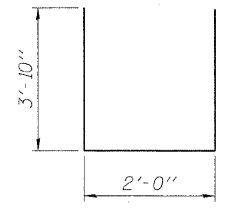


FIELD CUTTING DIAGRAM

Order v2(E) full length. Cut as shown and use remainder of bars in opposite face.



BAR s2(E)



BAR u(E)

BILL OF MATERIAL

Bar No.	Size	Length	Shape
h(E)	#6	14'-2"	
p(E)	#7	23'-3"	
s2(E)	#5	11'-7"	□
u(E)	#6	9'-8"	□
v(E)	#5	4'-4"	
v2(E)	#5	10'-10"	
Structure Excavation	Cu. Yd.	103	
Concrete Structures	Cu. Yd.	20.3	
Reinforcement Bars, Epoxy Coated	Pound	3,400	
Furnishing Steel Piles, HP14x73	Foot	350	
Driving Piles	Foot	350	
Test Pile Steel, HP14x73	Each	1	
Concrete Encasement	Cu. Yd.	3.3	

NOTES

1. Pour steps monolithically with cap.
2. For details of Bar Splicers, see sheet 25 of 29.
3. For details of piles and Concrete Encasement, see sheet 24 of 29.

T:\58015-Phase II, IL-281L-285-Struct\Sign\126.dgn 07/10/96 6:01:20 SA1.dgn

**LOCHNER**  
 H.W. LOCHNER, INC.  
 CONSULTING ENGINEERS AND PLANNERS  
 20 N. WACKER DRIVE, SUITE 1200  
 CHICAGO, ILLINOIS 60606

USER NAME =	DESIGNED -	MAF	REVISED -
FILE NAME =	CHECKED -	GWS	REVISED -
PLOT SCALE =	DRAWN -	EF	REVISED -
PLOT DATE =	CHECKED -	GWS	REVISED -

STATE OF ILLINOIS  
 DEPARTMENT OF TRANSPORTATION

SOUTH ABUTMENT PLAN & ELEVATION  
 STRUCTURE NO. 071-0096

SHEET NO. 20 OF 29 SHEETS

F.A.P. RTE.	SECTION	COUNTY	TOTAL SHEETS	SHEET NO.
316	4VBR-1	OGLE	73	64
CONTRACT NO. 64D17			ILLINOIS FED. AID PROJECT	