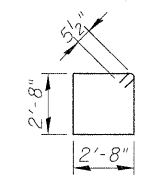
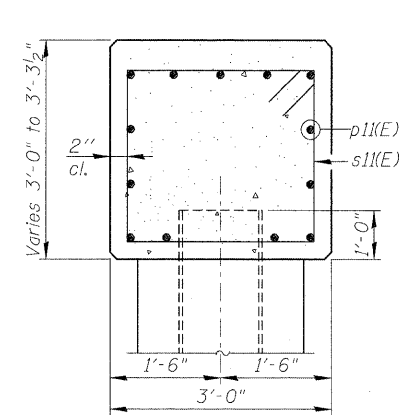
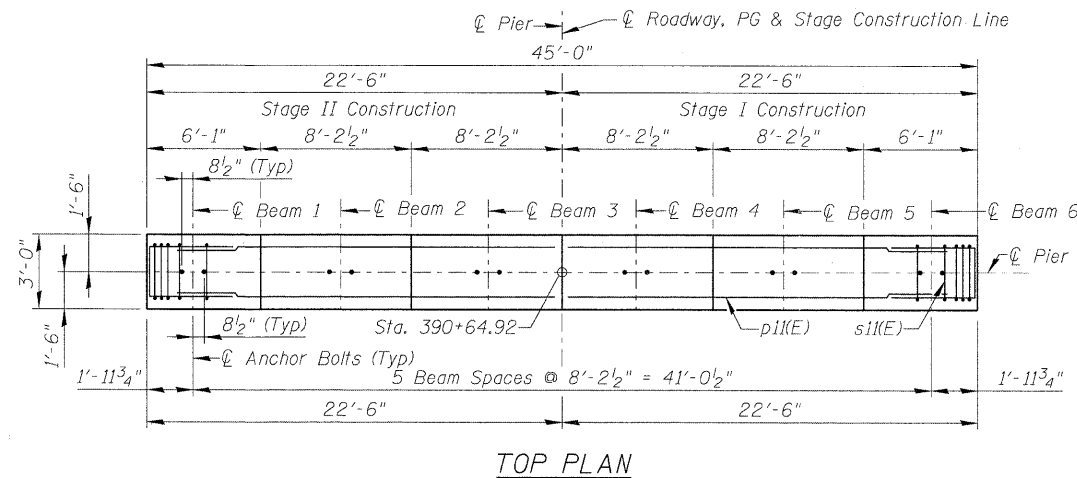


NOTES:

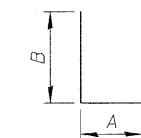
1. Space reinforcement in cap to miss anchor bolts.
2. Pour steps monolithically with cap.
3. For details of piles, see sheet 24 of 29.
4. For details of bar splicers see Sheet 25 of 29.

PILE DATA:

Type: HP14X73
 Nominal Required Bearing: 578K
 Factored Resistance Available: 321K
 Est. Length: 64 ft.
 No. Production Piles: 9
 No. Test Piles: 1

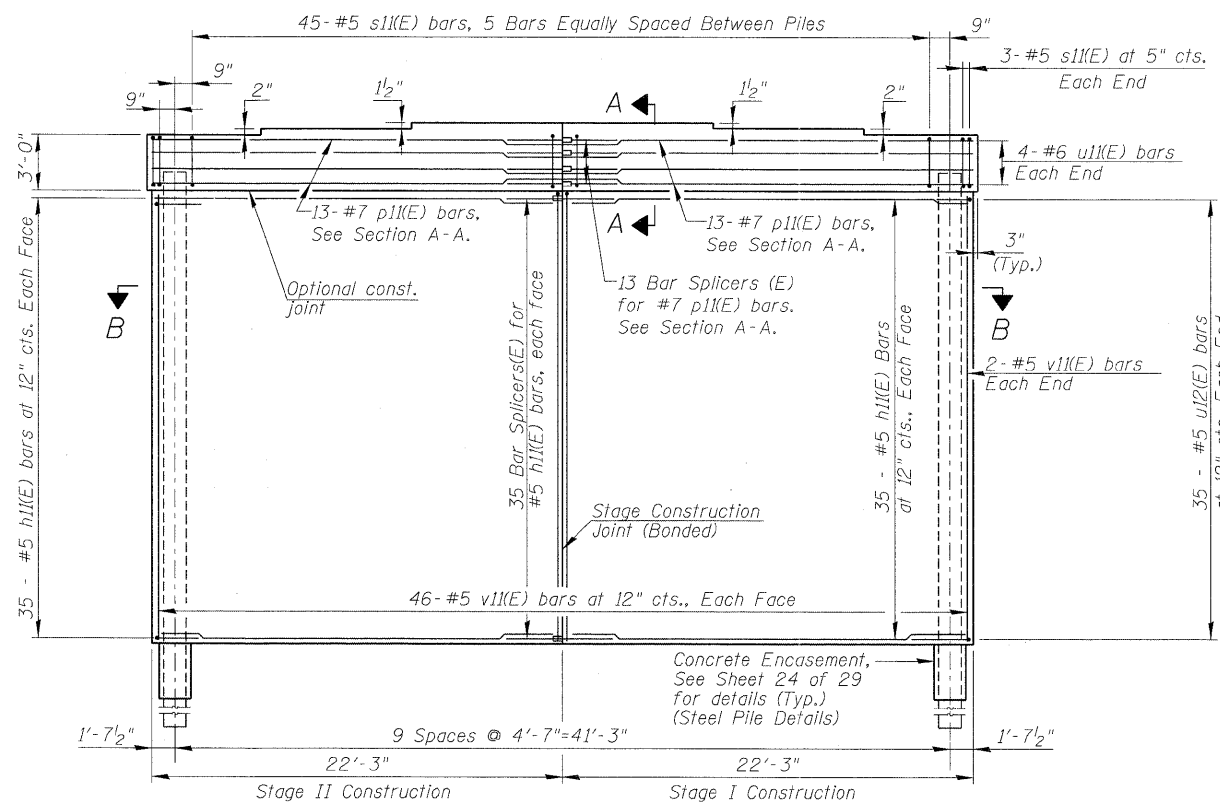


BAR s1(E)



BAR u1(E), u2(E)

SECTION A-A



ELEVATION
(Looking South)

BEARING SEAT ELEV

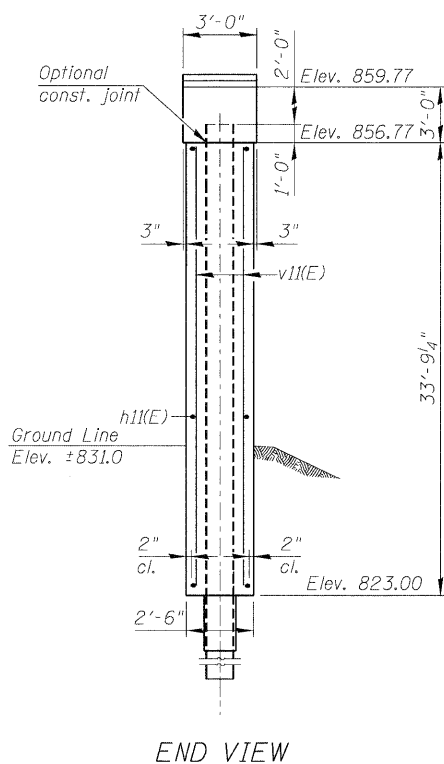
BEAM	ELEV.
1	859.77
2	859.94
3	860.07
4	860.07
5	859.94
6	859.77

A & B DIMENSIONS

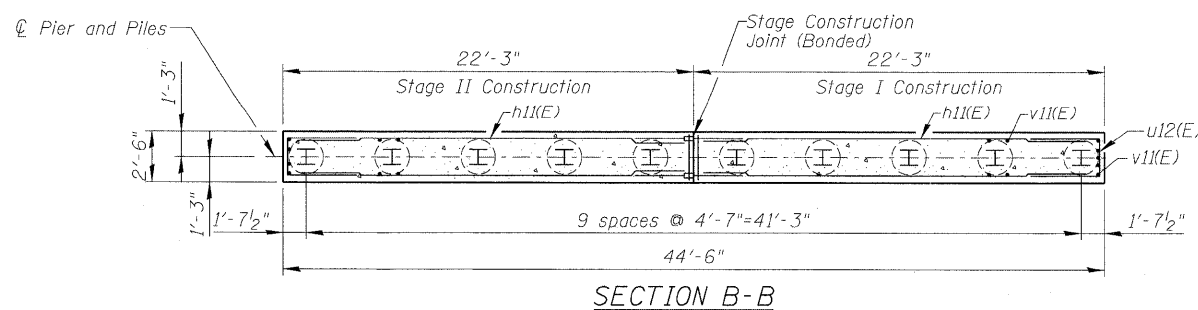
Bar	A	B
u1(E)	2'-8"	2'-4"
u2(E)	2'-2"	2'-4"

BILL OF MATERIAL

Bar	No.	Size	Length	Shape
h1(E)	140	#5	22'-0"	—
p1(E)	26	#7	22'-3"	—
s1(E)	51	#5	11'-7"	□
u1(E)	8	#6	7'-4"	—
u2(E)	70	#5	6'-10"	—
v1(E)	96	#5	33'-6"	—
Structure Excavation		Cu. Yd.	93.5	
Concrete Structures		Cu. Yd.	155.0	
Reinforcement Bars, Epoxy Coated		Pound	8,960	
Furnishing Steel Piles HP14x73		Foot	576	
Driving Piles		Foot	576	
Test Pile Steel HP14x73		Each	1	
Concrete Encasement		Cu. Yd.	5.5	

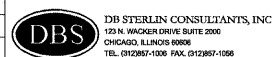


END VIEW



SECTION B-B

USER NAME =	DESIGNED - GMK/SWM	REVISED -
PLOT SCALE =	DRAWN - GFP	REVISED -
PLOT DATE =	CHECKED - WPK/GMK	REVISED -
FILE NAME =	DATE - 03/21/2011	REVISED -



STATE OF ILLINOIS
 DEPARTMENT OF TRANSPORTATION

PIER 1
 STRUCTURE NUMBER 071-0096

SHEET NO. 21 OF 29 SHEETS

F.A.P. RTE.	SECTION	COUNTY	TOTAL SHEETS	SHEET NO.
316	4VBR-1	OGLE	73	65
CONTRACT NO. 64D17				
ILLINOIS FED. AID PROJECT				