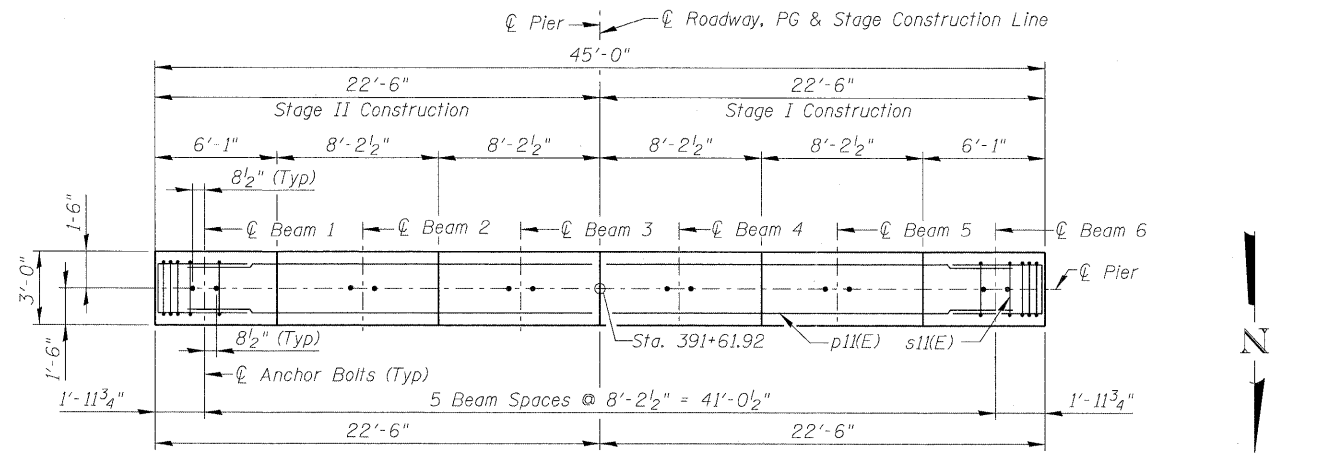


**NOTES:**

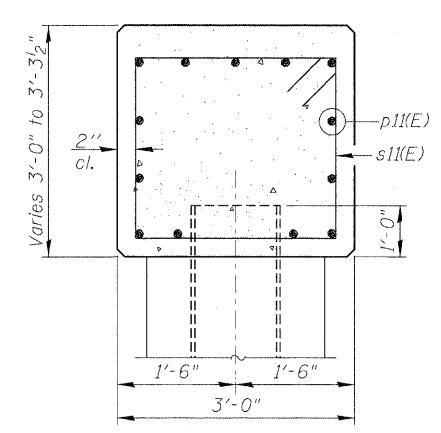
1. Space reinforcement in cap to miss anchor bolts.
2. Pour steps monolithically with cap.
3. For details of piles, see sheet 24 of 29.
4. For Details of bar splicers, See Sheet 25 of 29.

**PILE DATA:**

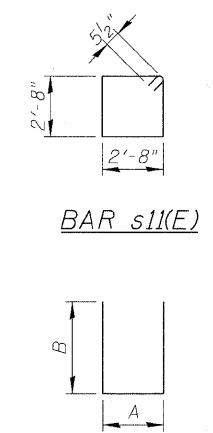
Type: HP14x73  
 Nominal Required Bearing: 578K  
 Factored Resistance Available: 321K  
 Est. Length: 65 ft.  
 No. Production Piles: 9  
 No. Test Piles: 1



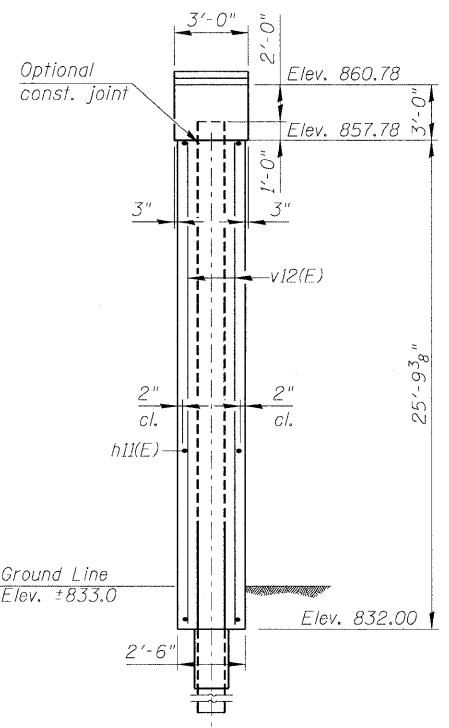
**TOP PLAN**



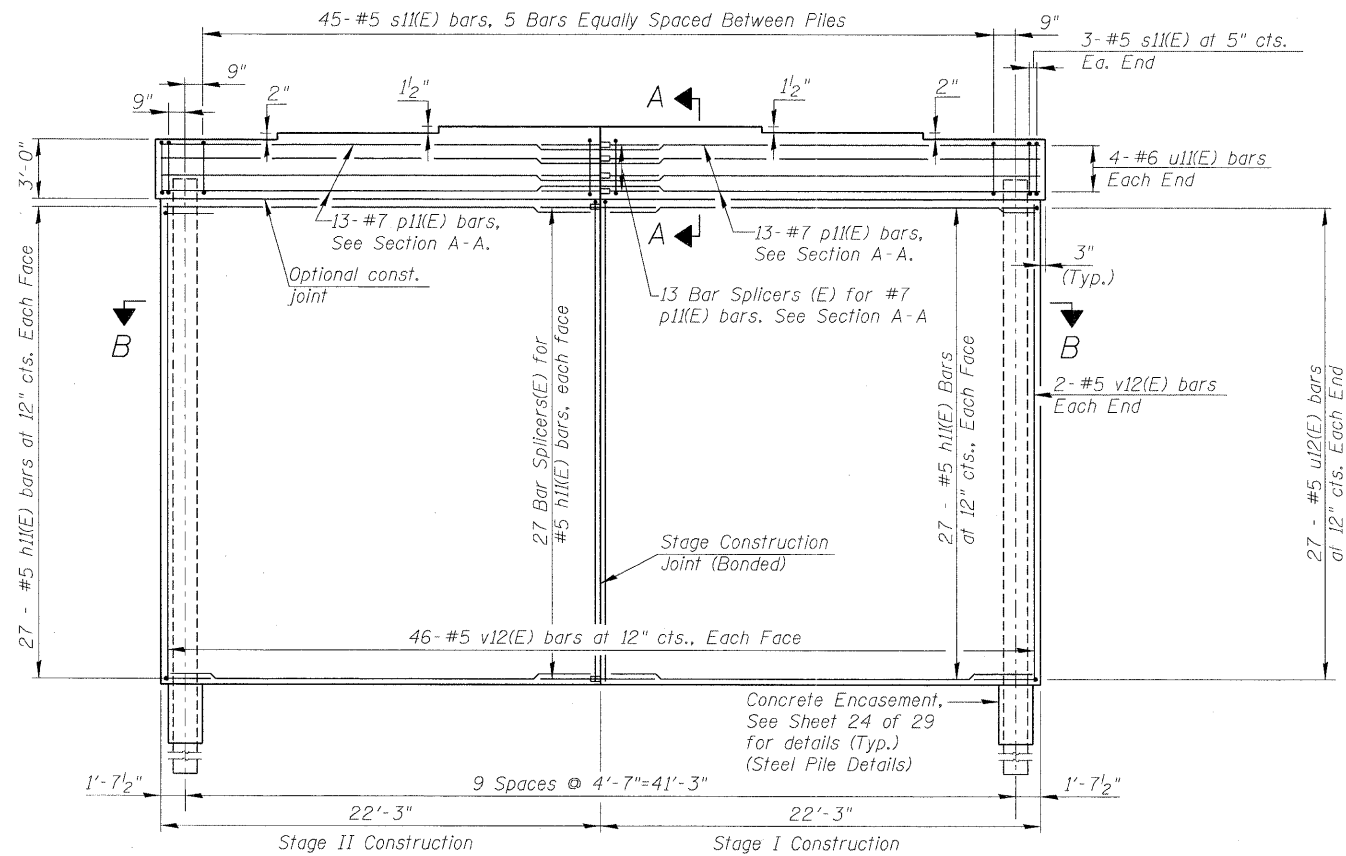
**SECTION A-A**



**BARS u1(E), u2(E)**



**END VIEW**



**ELEVATION**  
(Looking South)

**BEARING SEAT ELEV**

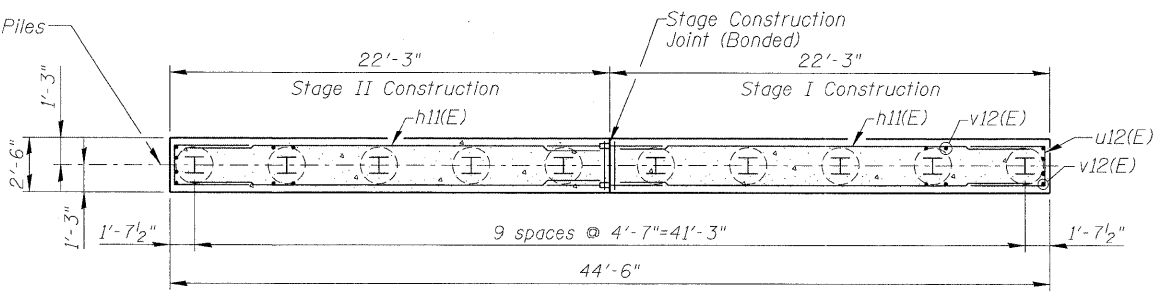
BEAM	ELEV.
1	860.78
2	860.95
3	861.08
4	861.08
5	860.95
6	860.78

**A & B DIMENSIONS**

Bar	A	B
u1(E)	2'-8"	2'-4"
u2(E)	2'-2"	2'-4"

**BILL OF MATERIAL**

Bar	No.	Size	Length	Shape
h1(E)	108	#5	22'-0"	—
p1(E)	26	#7	22'-3"	—
s1(E)	51	#5	11'-7"	□
u1(E)	8	#6	7'-4"	—
u2(E)	54	#5	6'-10"	—
v2(E)	96	#5	25'-6"	—
Structure Excavation			Cu. Yd.	11.7
Concrete Structures			Cu. Yd.	122.1
Reinforcement Bars, Epoxy Coated			Pound	7,310
Furnishing Steel Piles HP14X73			Foot	585
Driving Piles			Foot	585
Test Pile Steel HP14X73			Each	1
Concrete Encasement			Cu. Yd.	5.5



**SECTION B-B**

USER NAME =	DESIGNED - GMK/SWM	REVISED -
PLOT SCALE =	DRAWN - GFP	REVISED -
PLOT DATE =	CHECKED - WPK/GMK	REVISED -
FILE NAME =	DATE - 03/21/2011	REVISED -



**STATE OF ILLINOIS**  
**DEPARTMENT OF TRANSPORTATION**

**PIER 2**  
**STRUCTURE NUMBER 071-0096**

SHEET NO. 22 OF 29 SHEETS

F.A.P. RTE. 316	SECTION 4VBR-1	COUNTY OGLE	TOTAL SHEETS 73	SHEET NO. 66
				CONTRACT NO. 64D17
ILLINOIS FED. AID PROJECT				