

STANDARD BAR SPLICER ASSEMBLY

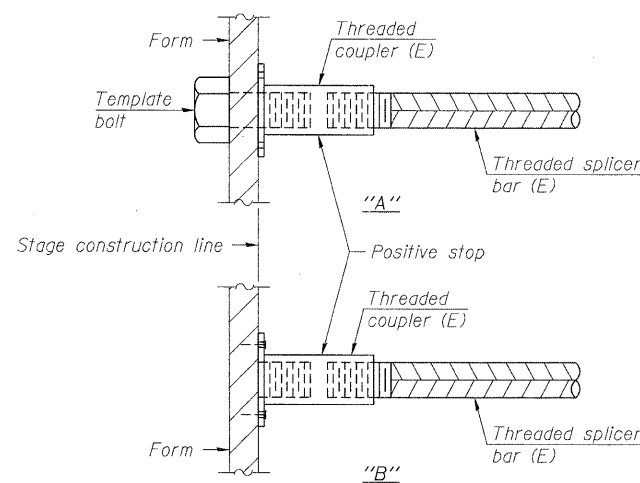
Bar size to be spliced	Minimum Lap Lengths				
	Table 1	Table 2	Table 3	Table 4	Table 5
3, 4	1'-5"	1'-11"	2'-1"	2'-4"	2'-3"
5	1'-9"	2'-5"	2'-7"	2'-11"	2'-10"
6	2'-1"	2'-11"	3'-1"	3'-6"	3'-4"
7	2'-9"	3'-10"	4'-2"	4'-8"	4'-6"
8	3'-8"	5'-1"	5'-5"	6'-2"	5'-10"
9	4'-7"	6'-5"	6'-10"	7'-9"	7'-5"

- Table 1: Black bar, 0.8 Class C
- Table 2: Black bar, Top bar lap, 0.8 Class C
- Table 3: Epoxy bar, 0.8 Class C
- Table 4: Epoxy bar, Top bar lap, 0.8 Class C
- Table 5: Epoxy bar, Top bar lap, Class B

Threaded splicer bar length = min. lap length + 1 1/2" + thread length

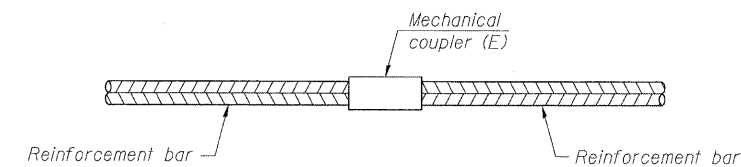
* Epoxy not required on Bar Splicer Assembly components used in conjunction with black bars.

Location	Bar size	No. assemblies required	Table for minimum lap length
Deck	#5	1088	3
Diaphragm (at abutments)	#6	16	5
Approach Slab Footings	#5	80	3
Approach Slabs	#4	50	4
Approach Slabs	#5	92	3
Abutments	#7	20	5
Pier 1 (cap)	#7	13	4
Pier 1 (stem)	#5	70	3
Pier 2 (cap)	#7	13	4
Pier 2 (stem)	#5	54	3
Pier 3 (cap)	#7	13	4
Pier 3 (stem)	#5	44	3



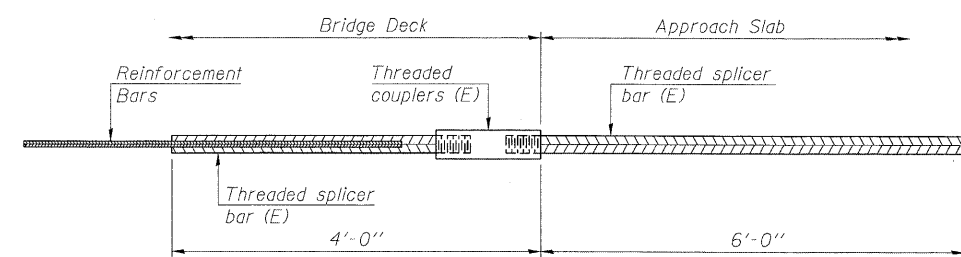
INSTALLATION AND SETTING METHODS

- "A" : Set bar splicer assembly by means of a template bolt.
- "B" : Set bar splicer assembly by nailing to wood forms or cementing to steel forms.
- (E) : Indicates epoxy coating.



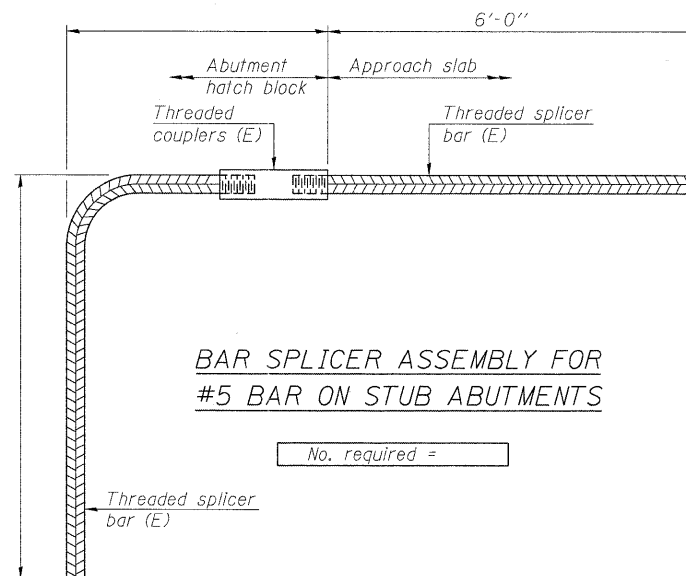
STANDARD MECHANICAL SPLICER

Location	Bar size	No. assemblies required



BAR SPLICER ASSEMBLY FOR #5 BAR ON INTEGRAL OR SEMI-INTEGRAL ABUTMENTS

No. required = 100



BAR SPLICER ASSEMBLY FOR #5 BAR ON STUB ABUTMENTS

No. required =

NOTES

1. Splicer bars shall be deformed with threaded ends and have a minimum 60 ksi yield strength.
2. All reinforcement shall be lapped and tied to the splicer bars.
3. Bar splicer assemblies shall be epoxy coated according to the requirements for reinforcement bars. See Section 508 of the Standard Specifications.
4. See special provision for Mechanical Splicers.
5. See approved list of bar splicer assemblies and mechanical splicers for alternatives.

T:\S015-Phase1\11-2&L-25\Struct.dgn\11.25.dgn\0710096-64017-025-MD2.dgn

BSD-1

7-1-10

LOCHNER
H.W. LOCHNER, INC.
CONSULTING ENGINEERS AND PLANNERS
20 N. WACKER DRIVE, SUITE 1200
CHICAGO, ILLINOIS 60606

USER NAME =	DESIGNED -	REVISED -
FILE NAME = 0710096-64017-025-MD2.dgn	CHECKED - CMM	REVISED -
PLOT SCALE =	DRAWN -	REVISED -
PLOT DATE =	CHECKED - CMM	REVISED -

**STATE OF ILLINOIS
DEPARTMENT OF TRANSPORTATION**

**BAR SPLICER ASSEMBLY DETAILS
STRUCTURE NO. 071-0096**

SHEET NO. 25 OF 29 SHEETS

F.A.P. RTE.	SECTION	COUNTY	TOTAL SHEETS	SHEET NO.
316	4VBR-1	OGLE	73	69
CONTRACT NO. 64D17			ILLINOIS FED. AID PROJECT	