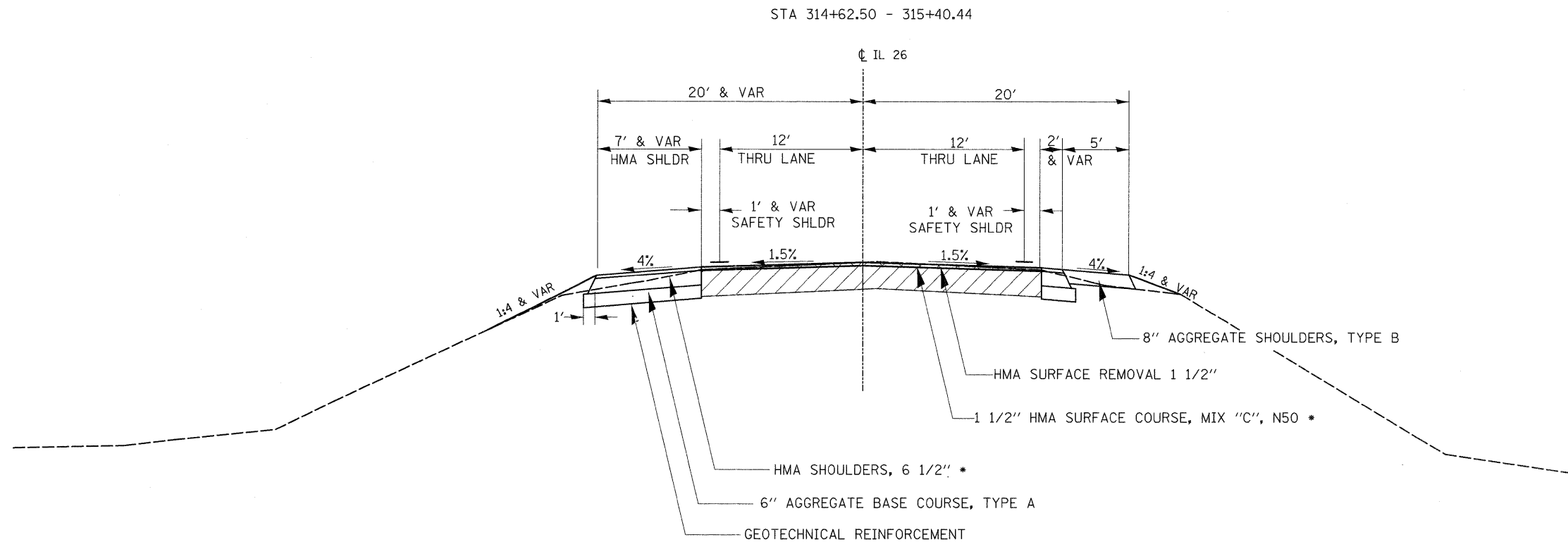


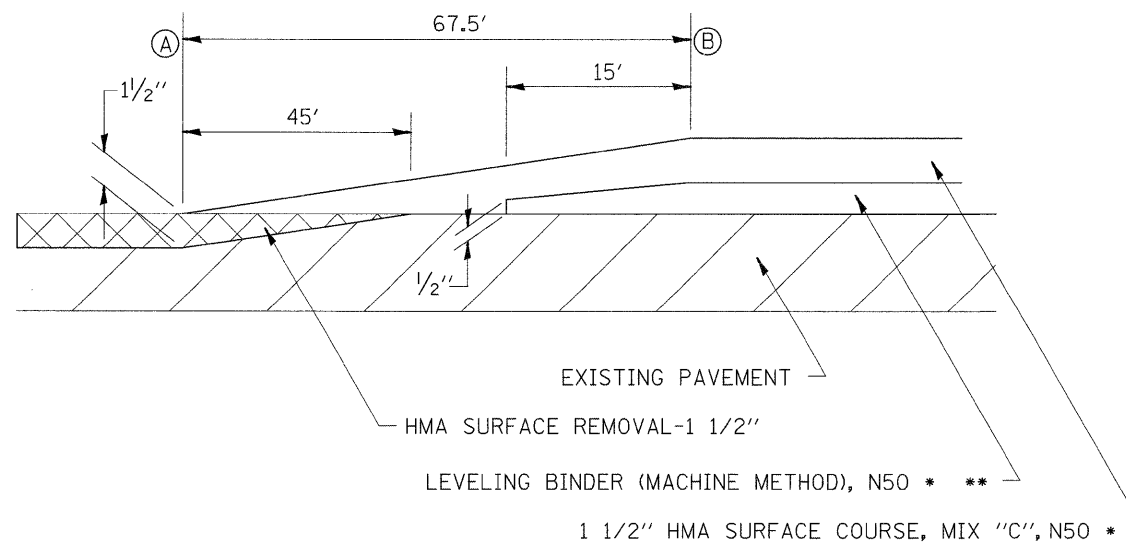
TYPICAL SECTIONS



STA. A	STA. B
308+57.50	309+25.00
314+62.50	313+95.00
322+82.50	323+50.00
328+87.50	328+20.00
416+07.50	416+75.00
424+17.50	423+50.00

*** 40600625-LEVEL BINDER (MM), N50 VOLUME (CU YD) DETERMINATION

STA.	PROP. ϕ ELEV	EX. ϕ ELEV	DIFF. IN ELEV	AREA (FT ²)	VOLUME (CU YD)
308+57.50	701.65	701.64	.01	1.90	1.05
309+25.00	701.13	700.95	.18	3.99	15.43
310+29.37	700.24	699.90	.34		
312+61.87	697.86	697.51	.36	4.27	21.06
313+95.00	696.63	696.45	.18		
416+75.00	702.26	702.09	.17	19.82	213.33
419+65.63	702.01	700.45	1.57		
421+43.63	701.12	699.86	1.26	28.96	221.34
423+50.00	701.13	699.96	1.17		



* 112 LB/SQ YD IN
 ** SEE HMA SCHEDULE WHERE WARRANTED

EXISTING
 REMOVAL

* 102BR-5, 102BR-6, & 102BR-7

FILE NAME =	USER NAME = grantpm	DESIGNED -	REVISED -	STATE OF ILLINOIS DEPARTMENT OF TRANSPORTATION	TYPICAL SECTIONS			F.A.P. RTE.	SECTION	COUNTY	TOTAL SHEETS	SHEET NO.
cr:\pw_work\p\dot\grantpm\dms4181\VD2-sh-typical.dgn	PLOT SCALE = 50.0000' / in.	DRAWN -	REVISED -					316	*	LEE	216	10
PLOT DATE = Tue Aug 23 06:26:14 2011	DATE -	CHECKED -	REVISED -		SCALE: SHEET NO. OF SHEETS STA. TO STA.			CONTRACT NO. 64D57				
		DATE -	REVISED -					ILLINOIS FED. AID PROJECT				