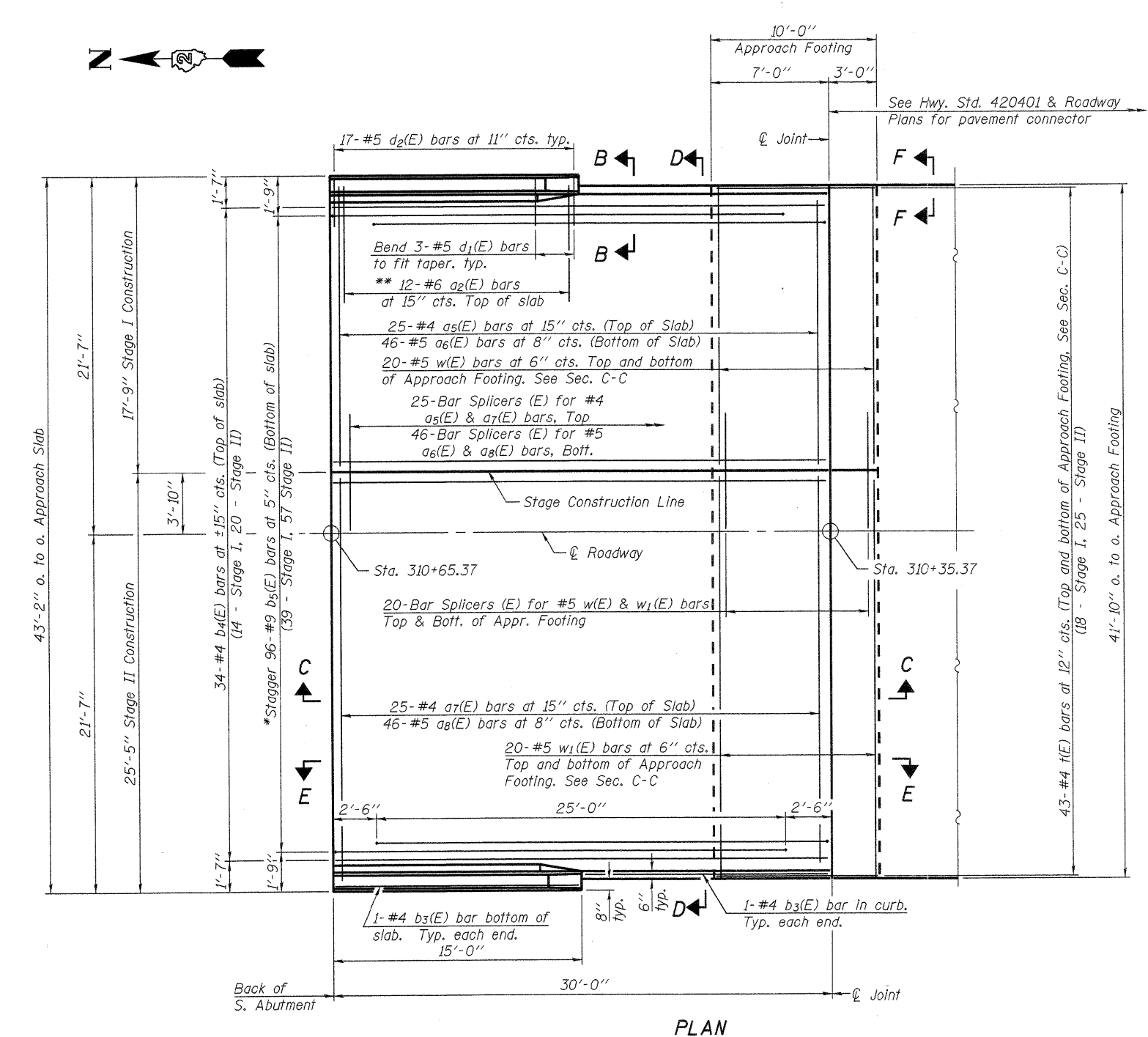
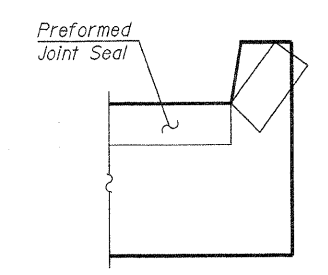
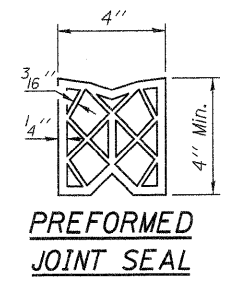
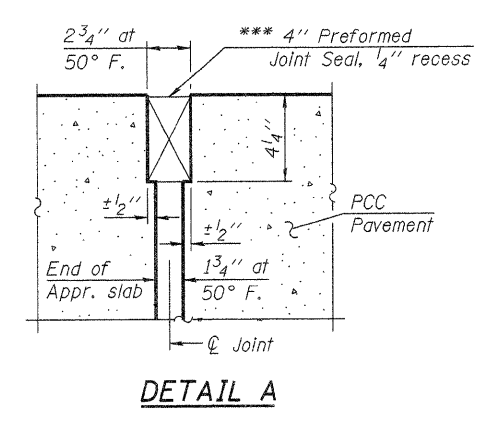


Notes:
See sheet 16 of 30 for Sections C-C & D-D and View E-E.
a₅(E), a₆(E), a₇(E) & a₈(E) bar spacings measured along \bar{C} Row.

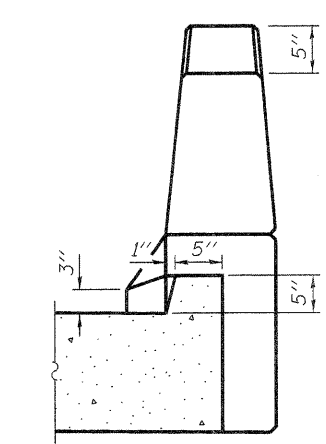


* Tilt #9 b₅(E) bars as required to maintain clearance.
** Space between a₅(E) bars, typ. ea. parapet.

***Cost included with Concrete Superstructure



VIEW F-F
Angle Preformed Joint Seal at 45° at curbs when req'd for drainage.



VIEW B-B

BA-0

7-1-10



FILE NAME = 0520001-64057.DGN
USER NAME = S.A.P.
PLOT SCALE =
PLOT DATE = 08/18/11

DESIGNED - A.R.K.
CHECKED - J.A.M.
DRAWN - S.A.P.
CHECKED - A.R.K. & J.A.M.

REVISED -
REVISED -
REVISED -
REVISED -

STATE OF ILLINOIS
DEPARTMENT OF TRANSPORTATION

SOUTH BRIDGE APPROACH SLAB DETAILS
STRUCTURE NO. 052-0081

SHEET NO. 15 OF 30 SHEETS

F.A.P. RTE.	SECTION	COUNTY	TOTAL SHEETS	SHEET NO.
316	102BR-6	LEE	216	77
CONTRACT NO. 64D57			ILLINOIS FED. AID PROJECT	