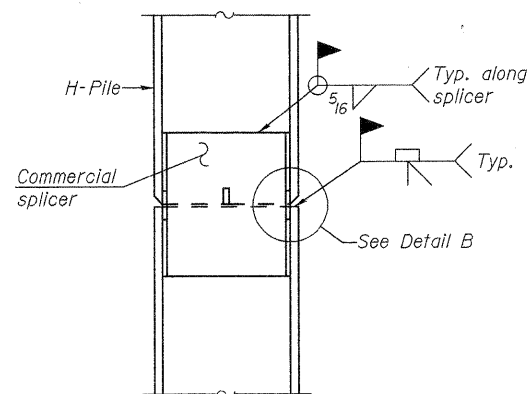
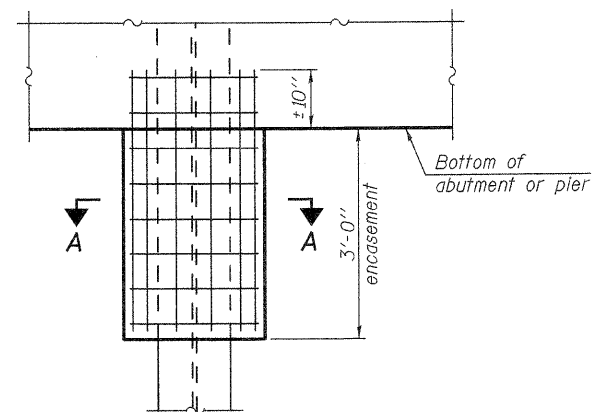


STEEL PILE TABLE

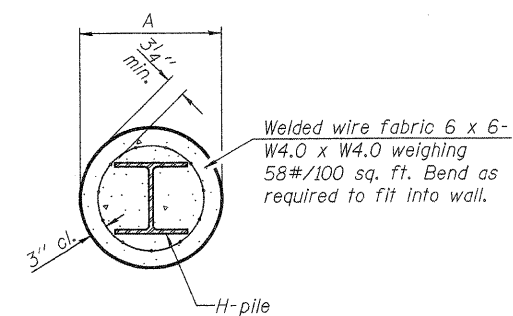
Designation	Depth d	Flange width bf	Web and Flange thickness t	Encasement diameter A
HP 14x117	14 ¹ / ₄ "	14 ⁷ / ₈ "	1 ³ / ₁₆ "	30"
x102	14"	14 ³ / ₄ "	1 ¹ / ₁₆ "	30"
x89	13 ⁷ / ₈ "	14 ³ / ₄ "	5 ⁹ / ₁₆ "	30"
x73	13 ⁵ / ₈ "	14 ⁵ / ₈ "	1 ¹ / ₂ "	30"
HP 12x84	12 ¹ / ₄ "	12 ¹ / ₄ "	1 ¹ / ₁₆ "	24"
x74	12 ¹ / ₈ "	12 ¹ / ₄ "	5 ⁹ / ₁₆ "	24"
x63	12"	12 ¹ / ₈ "	1 ¹ / ₂ "	24"
x53	11 ³ / ₄ "	12"	7 ¹ / ₁₆ "	24"
HP 10x57	10"	10 ¹ / ₄ "	9 ¹ / ₁₆ "	24"
x42	9 ³ / ₄ "	10 ¹ / ₈ "	7 ¹ / ₁₆ "	24"
HP 8x36	8"	8 ¹ / ₈ "	7 ¹ / ₁₆ "	18"



ELEVATION



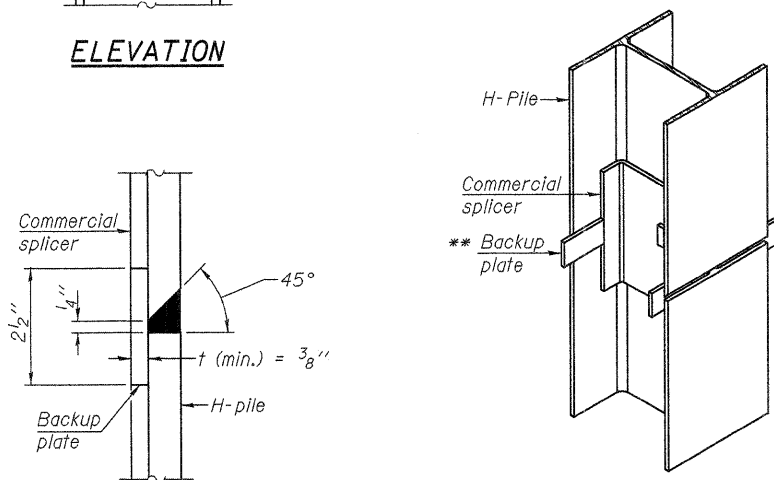
ELEVATION



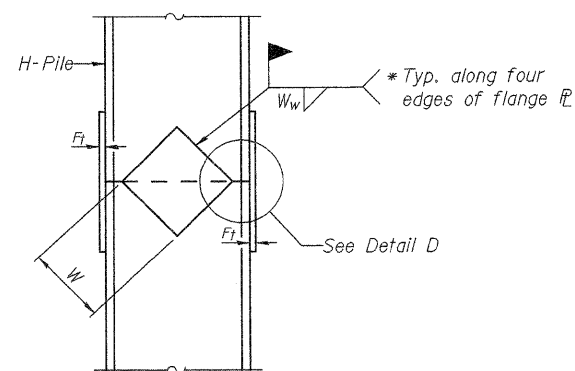
SECTION A-A

Note:
Forms for encasement may be omitted when soil conditions permit.

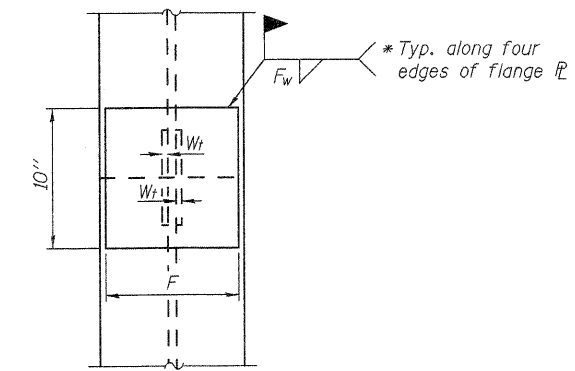
PILE ENCASEMENT



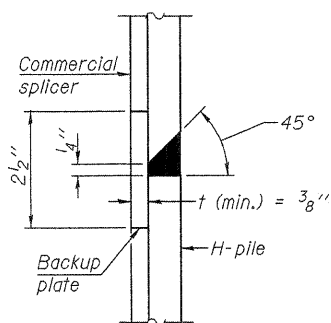
ISOMETRIC VIEW



ELEVATION

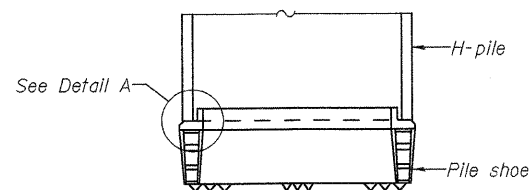


END VIEW

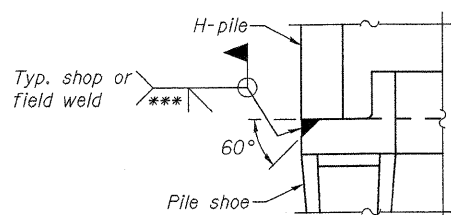


DETAIL "B"

WELDED COMMERCIAL SPLICE

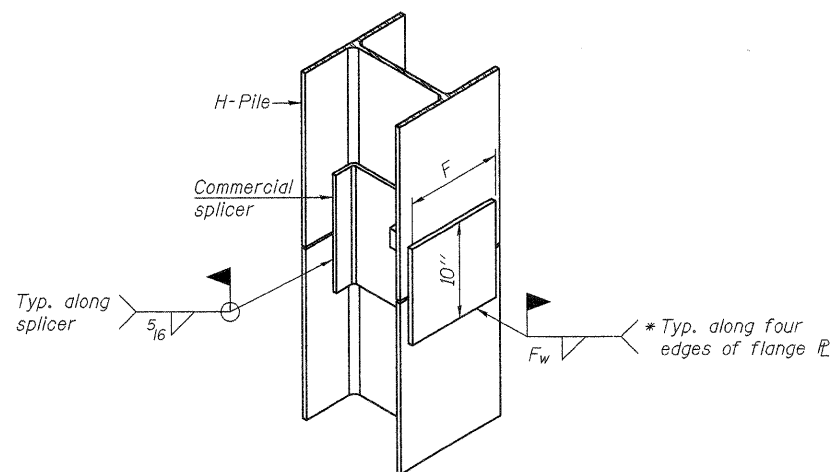


ELEVATION



DETAIL A

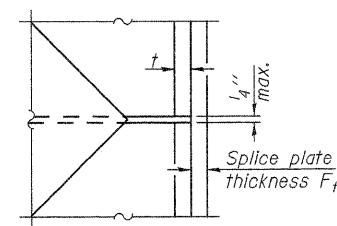
H-PILE SHOE ATTACHMENT



ISOMETRIC VIEW

WELDED COMMERCIAL SPLICE ALTERNATE

- * Interrupt welds 1/4" from end of web and/or each flange.
- ** Remove portions of backup plates that extend outside the flanges.
- *** Weld size per pile shoe manufacturer (5/16" min.).



DETAIL D

WELDED PLATE FIELD SPLICE

Designation	F	Ft	Fw	W	Wt	Ww
HP 14x117	12 ¹ / ₂ "	1"	7 ⁸ / ₁₆ "	7 ³ / ₄ "	5 ⁸ / ₁₆ "	1 ¹ / ₂ "
x102	12 ¹ / ₂ "	7 ⁸ / ₁₆ "	3 ⁴ / ₁₆ "	7 ³ / ₄ "	5 ⁸ / ₁₆ "	1 ¹ / ₂ "
x89	12 ¹ / ₂ "	3 ⁴ / ₁₆ "	4 ¹ / ₁₆ "	7 ³ / ₄ "	5 ⁸ / ₁₆ "	1 ¹ / ₂ "
x73	12 ¹ / ₂ "	5 ⁸ / ₁₆ "	9 ¹ / ₁₆ "	7 ³ / ₄ "	5 ⁸ / ₁₆ "	1 ¹ / ₂ "
HP 12x84	10"	7 ⁸ / ₁₆ "	4 ¹ / ₁₆ "	6 ¹ / ₂ "	5 ⁸ / ₁₆ "	1 ¹ / ₂ "
x74	10"	7 ⁸ / ₁₆ "	4 ¹ / ₁₆ "	6 ¹ / ₂ "	5 ⁸ / ₁₆ "	1 ¹ / ₂ "
x63	10"	5 ⁸ / ₁₆ "	1 ¹ / ₂ "	6 ¹ / ₂ "	1 ¹ / ₂ "	3 ⁸ / ₁₆ "
x53	10"	5 ⁸ / ₁₆ "	1 ¹ / ₂ "	6 ¹ / ₂ "	1 ¹ / ₂ "	3 ⁸ / ₁₆ "
HP 10x57	8"	3 ⁴ / ₁₆ "	9 ¹ / ₁₆ "	5 ¹ / ₄ "	1 ¹ / ₂ "	3 ⁸ / ₁₆ "
x42	8"	5 ⁸ / ₁₆ "	9 ¹ / ₁₆ "	5 ¹ / ₄ "	1 ¹ / ₂ "	3 ⁸ / ₁₆ "
HP 8x36	7"	5 ⁸ / ₁₆ "	7 ¹ / ₁₆ "	4 ¹ / ₄ "	1 ¹ / ₂ "	3 ⁸ / ₁₆ "

Note:
The steel H-piles shall be according to AASHTO M270 Grade 50.

F-HP 7-1-10



FILE NAME = 0520081-64D57.DGN
USER NAME = S.A.P.
PLOT SCALE =
PLOT DATE = 08/10/11

DESIGNED - A.R.K.
CHECKED - J.A.M.
DRAWN - S.A.P.
CHECKED - A.R.K. & J.A.M.

REVISED -
REVISED -
REVISED -
REVISED -

STATE OF ILLINOIS
DEPARTMENT OF TRANSPORTATION

HP PILE DETAILS
STRUCTURE NO. 052-0081

SHEET NO. 26 OF 30 SHEETS

F.A.P. RTE.	SECTION	COUNTY	TOTAL SHEETS	SHEET NO.
316	102BR-6	LEE	216	88
CONTRACT NO. 64D57			ILLINOIS FED. AID PROJECT	