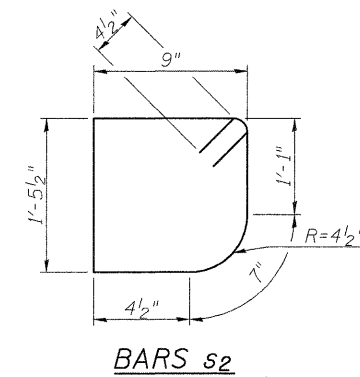
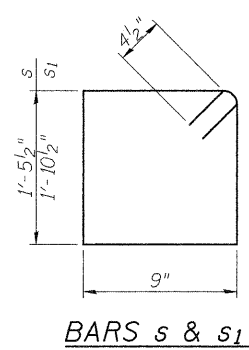
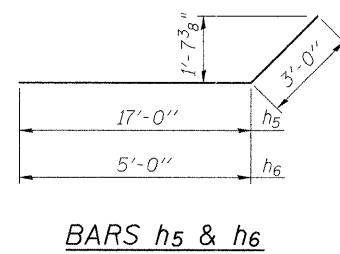
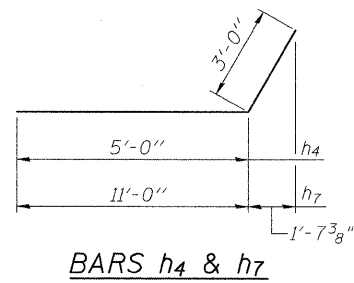
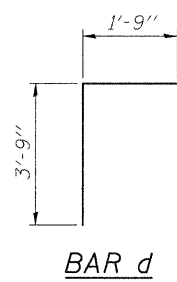
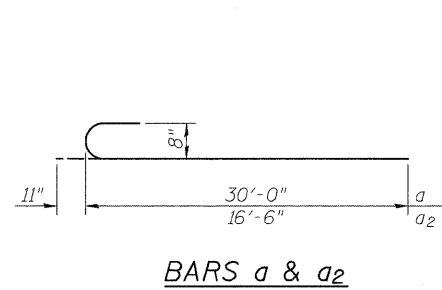


FILL DETAILS
(Dimensions at Rt. L's to \bar{C} Structure)

BILL OF MATERIAL

Bar	No.	Size	Length	Shape
a	172	#8	30'-11"	C
a ₁	164	#8	42'-4"	—
a ₂	172	#8	17'-5"	C
d	76	#4	5'-6"	L
h	196	#5	29'-0"	—
h ₁	196	#5	35'-5"	—
h ₂	16	#6	42'-4"	—
h ₃	12	#7	42'-4"	—
h ₄	26	#8	8'-0"	L
h ₅	26	#9	20'-0"	L
h ₆	32	#9	8'-0"	L
h ₇	20	#8	14'-0"	L
s	84	#4	5'-2"	□
s ₁	42	#4	6'-0"	□
s ₂	42	#4	5'-0"	□
v	322	#5	8'-2"	—
v ₁	322	#5	4'-0"	—
v ₂	16	#4	13'-5"	—
Concrete Box Culverts			Cu. Yd.	281.8
Reinforcement Bars			Pound	65010



(Sheet 2 of 2)



USER NAME =	DESIGNED - MTH	REVISED -
FILE NAME =	CHECKED - KHH	REVISED -
PLOT SCALE =	DRAWN - AJF	REVISED -
PLOT DATE =	CHECKED - MTH	REVISED -

STATE OF ILLINOIS
DEPARTMENT OF TRANSPORTATION

CULVERT DETAILS
STRUCTURE NO. 052-2031

SHEET NO. 6 OF 9 SHEETS

F.A.P. RTE.	SECTION	COUNTY	TOTAL SHEETS	SHEET NO.
316	102-BR7	LEE	216	98
			CONTRACT NO. 64D57	
ILLINOIS FED. AID PROJECT				