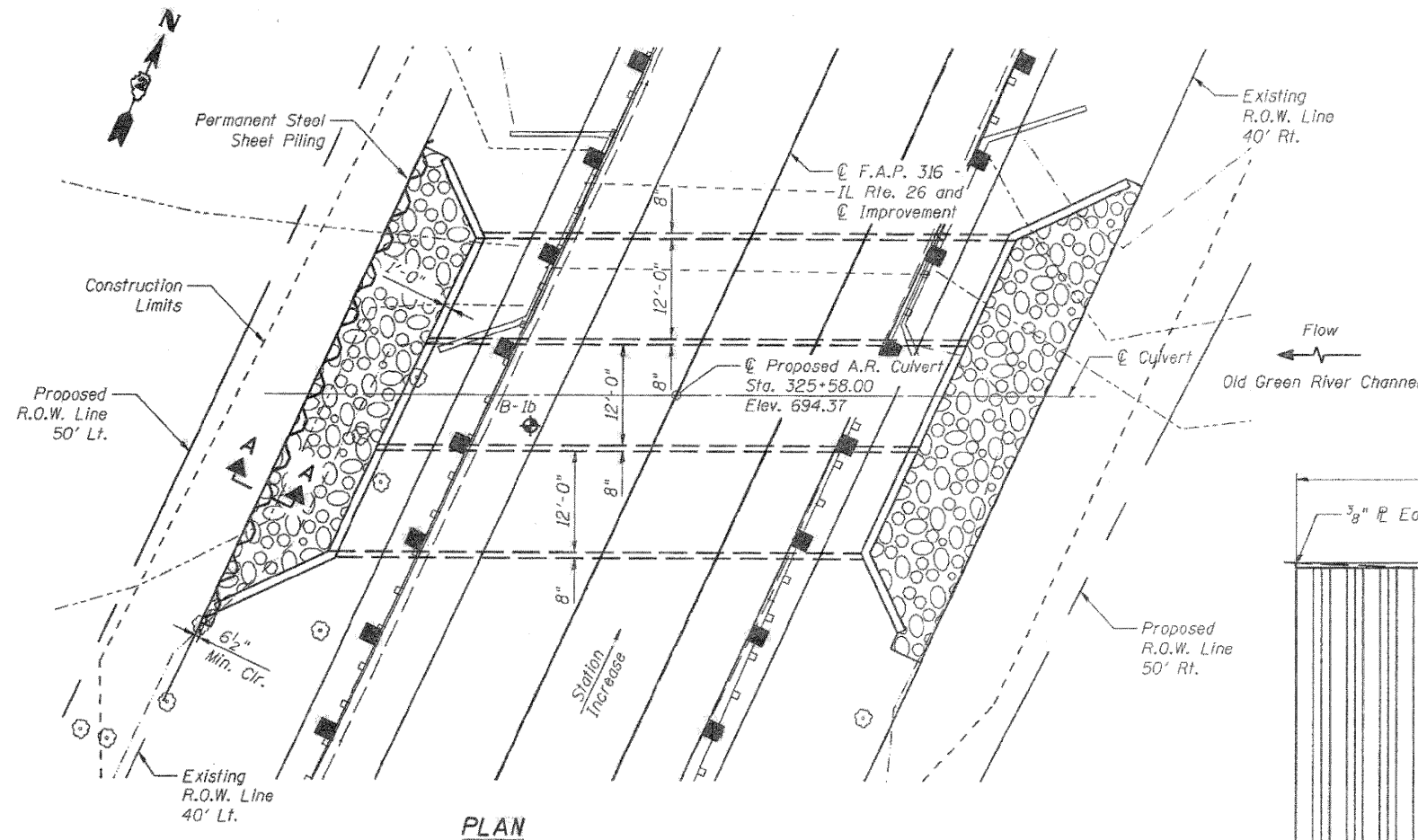


GENERAL NOTES

1. The sheet piling shall conform to the special provision Permanent Steel Sheet Piling.
2. The minimum effective section modulus for the Permanent Steel Sheet Piling shall be 10.4 cubic in./ft.
3. The fabricated steel cap shall be AASHTO M270 Grade 50W. The cap shall not be paid for separately, but shall be included in the cost for Permanent Steel Sheet Piling.
4. Fasteners shall be AASHTO M164 Type 3.
5. Hard driving may be encountered during the sheet piling installation. The Contractor shall select a sheet pile shape to satisfy the section requirements and provide appropriate driving equipment for the soil conditions indicated on the boring log.

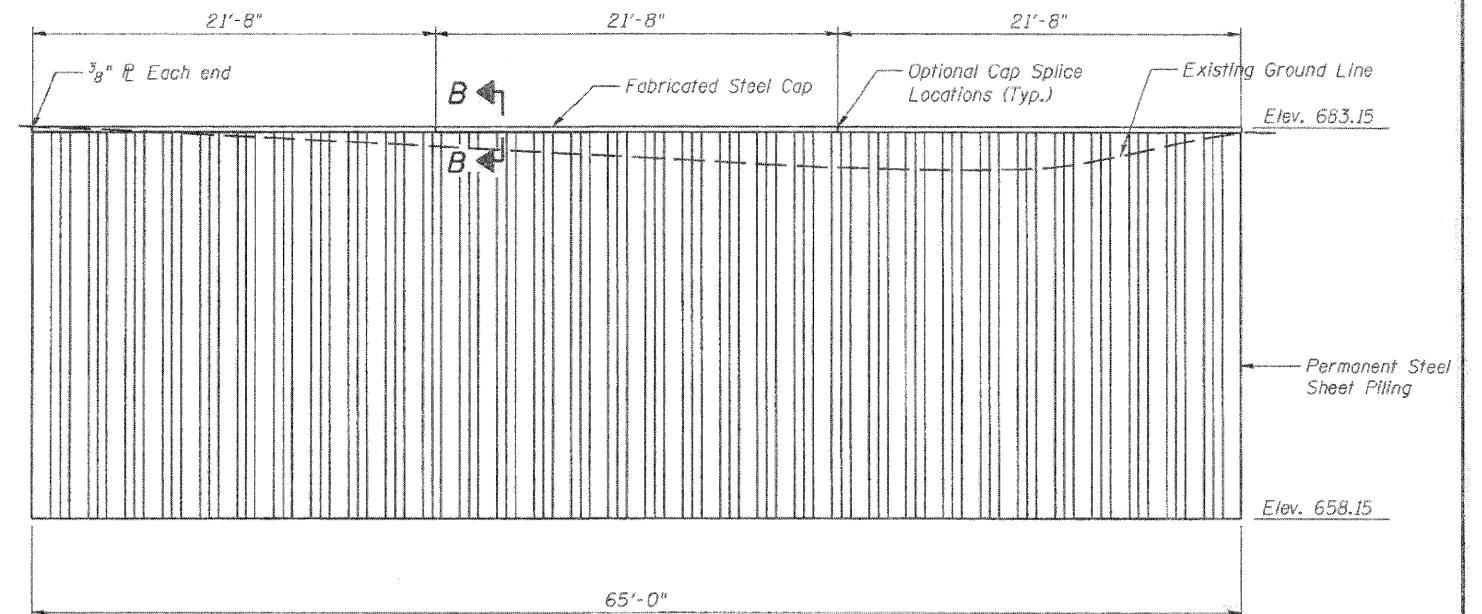
TOTAL BILL OF MATERIAL

ITEM	UNIT	TOTAL
Permanent Steel Sheet Piling	Sq. Ft.	1625

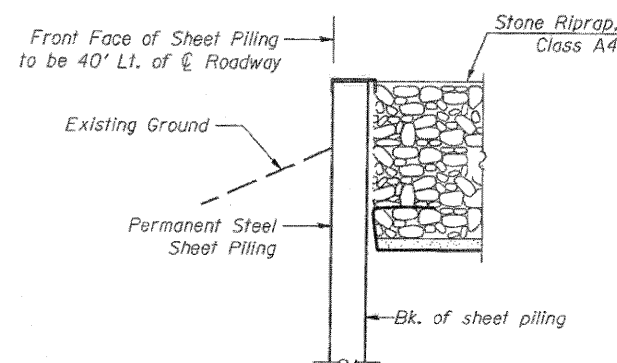


PLAN

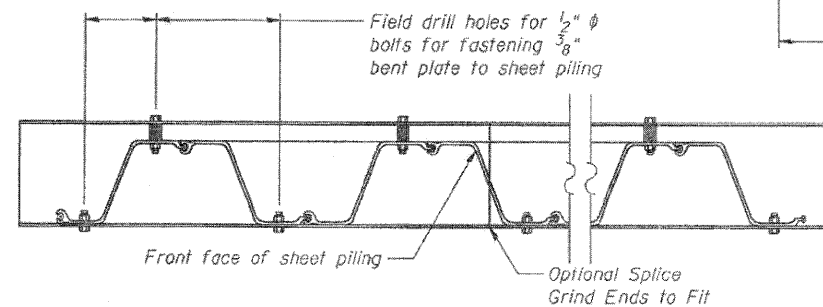
*Included in the cost of Permanent Steel Sheet Piling.



PERMANENT SHEET PILING REAR ELEVATION

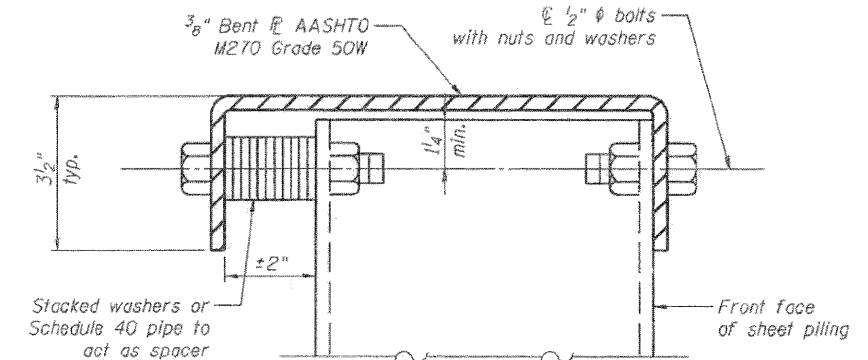


SECTION A-A



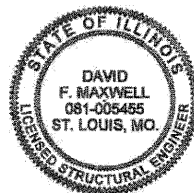
PERMANENT SHEET PILING PLAN

Showing connection of Fabricated Steel Cap to Permanent Steel Sheet Piling



SECTION B-B

Fabricated Steel Cap



David F. Maxwell, S.E. Reg. No. 081-005455

Date: 8/1/11
My registration expires November 30, 2012.

FILE NAME =	USER NAME =	DESIGNED - CTH	REVISD -	STATE OF ILLINOIS DEPARTMENT OF TRANSPORTATION	PERMANENT SHEET PILING DETAILS STRUCTURE NO. 052-2031	F.A.P. RTE. 316	SECTION 102-BR7	COUNTY LEE	TOTAL SHEETS 216	SHEET NO. 101
PLOT SCALE =	DRAWN - EBS	REVISD -	CONTRACT NO. 64057							
PLOT DATE =	CHECKED - CTH	REVISD -	FED. ROAD DIST. NO. ILLINOIS FED. AID PROJECT							
SHEET NO. 9 OF 9 SHEETS										