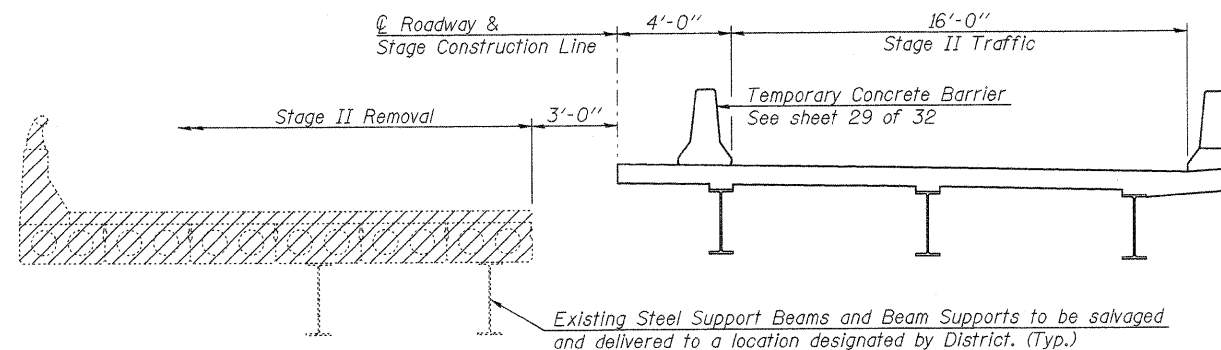
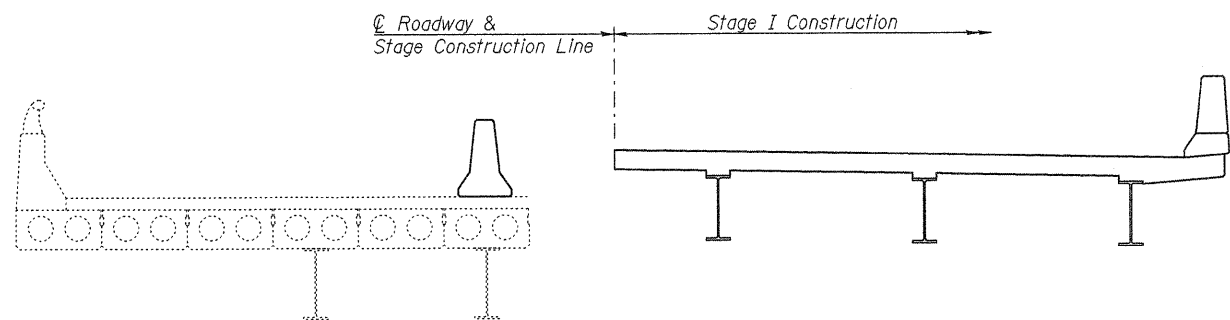


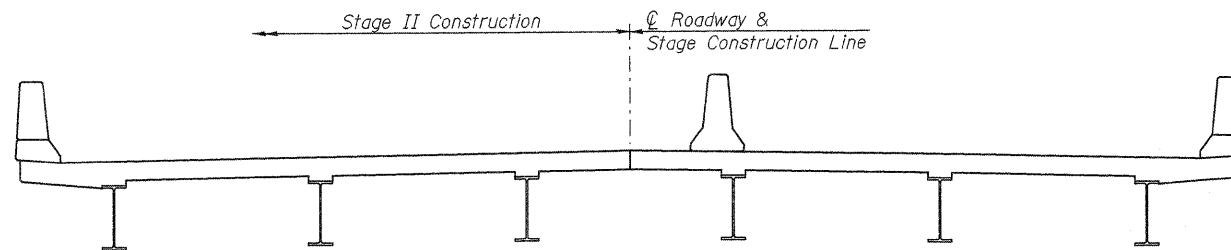
**STAGE I REMOVAL & TRAFFIC**



**STAGE II REMOVAL AND TRAFFIC**



**STAGE I CONSTRUCTION**



**STAGE II CONSTRUCTION**

Notes:  
 All staging cross sections are looking North.  
 Hatched areas indicate Removal of Existing Structures.  
 For quantity of Temporary Concrete Barrier, see Roadway Plans.

Existing Steel Support Beams and Beam Supports located beneath the portion of the existing superstructure utilized for carrying Stage I Traffic shall remain in place until traffic has been diverted to the portion of the new structure carrying Stage II Traffic. All existing Steel Support Beams and Beam Supports shall be salvaged and remain the property of the State. The Contractor shall deliver salvaged Steel Support Beams and Beam Supports to the Illinois Department of Transportation Maintenance Yard located at 1502 US Highway 30 Amboy, Illinois. Department personnel can provide equipment necessary to assist with the unloading of the salvaged beams at the Maintenance Yard. The Contractor shall coordinate the delivery and unloading of the salvaged beams with Mr. Roy McKnight (815-857-2914). The cost of salvage and delivery of the existing Steel Support Beams and Beam Supports is included in Removal of Existing Structures.