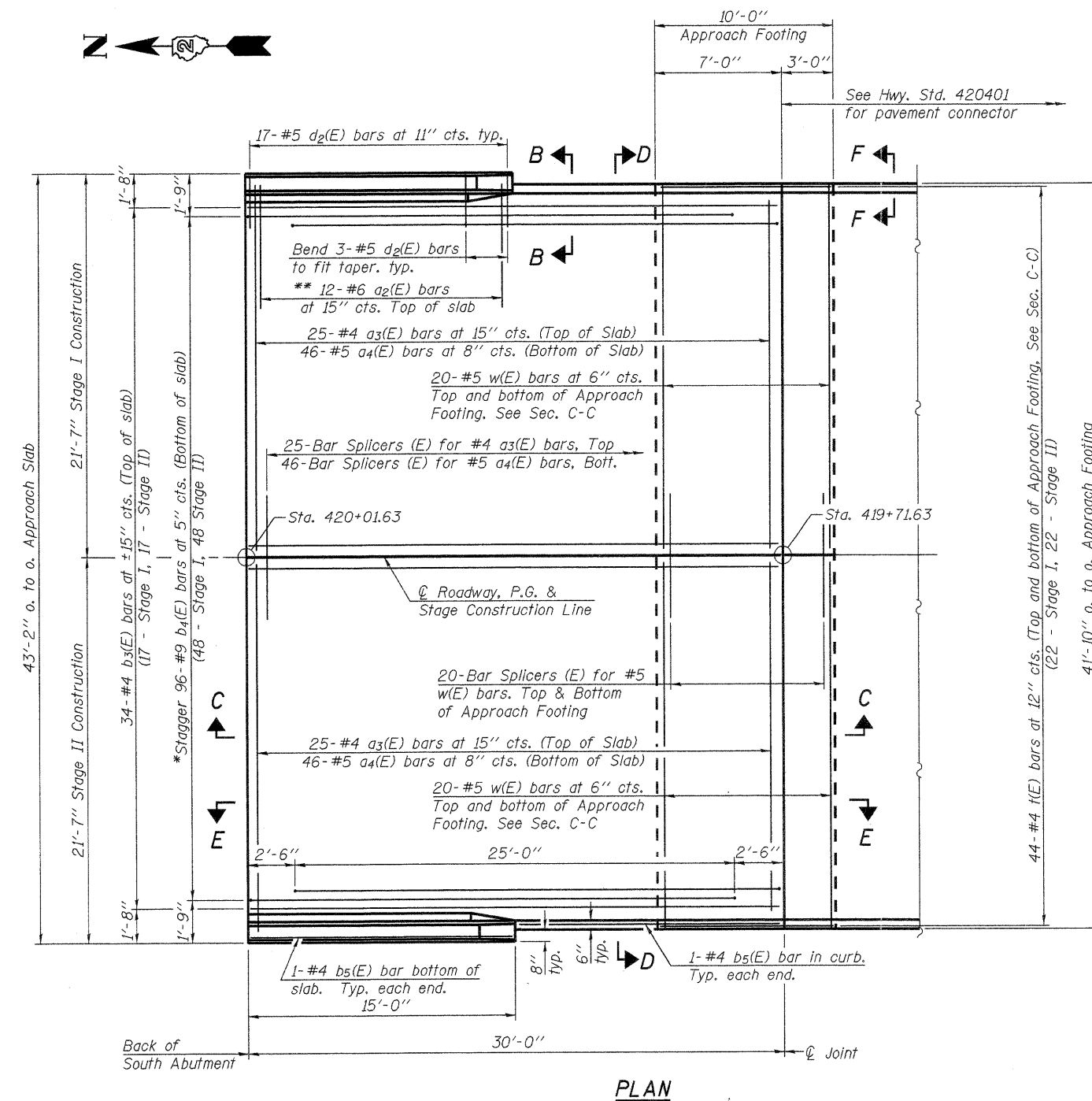
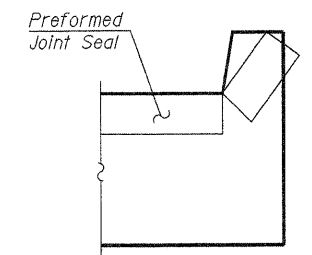
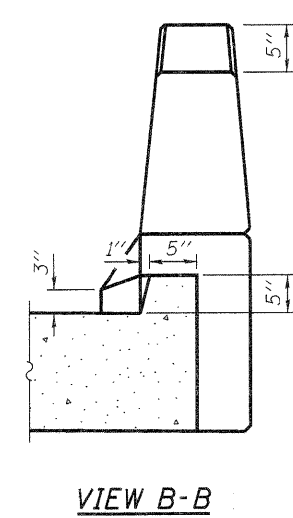
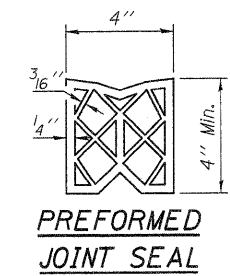
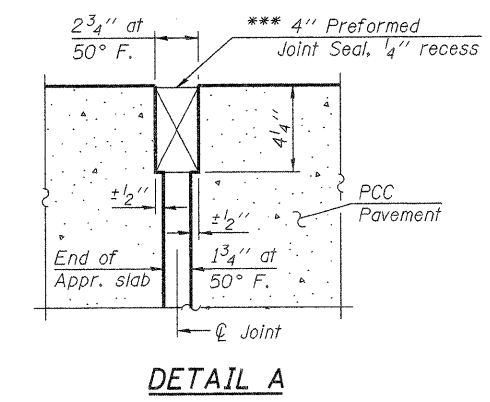


Notes:
See sheet 16 of 32 for Sections C-C & D-D and View E-E.
a₃(E) and a₄(E) bar spacings measured along \bar{C} Rdwy.



* Tilt #9 b₄(E) bars as required to maintain clearance.
** Space between a₃(E) bars, typ. ea. parapet.

***Cost Included with Concrete Superstructure



VIEW F-F
Angle Preformed Joint Seal at 45° at curbs when req'd for drainage.

BA-0 7-1-10



| | | |
|-------------------------------|---------------------------|-----------|
| FILE NAME = 0520080-64057.DGN | DESIGNED - J.A.M. | REVISED - |
| USER NAME = S.A.P. | CHECKED - A.R.K. | REVISED - |
| PLOT SCALE = | DRAWN - S.A.P. | REVISED - |
| PLOT DATE = 08/10/11 | CHECKED - J.A.M. & A.R.K. | REVISED - |

STATE OF ILLINOIS
DEPARTMENT OF TRANSPORTATION

SOUTH BRIDGE APPROACH SLAB DETAILS
STRUCTURE NO. 052-0080

SHEET NO. 15 OF 32 SHEETS

| | | | | |
|--------------------|---------|--------|---------------------------|-----------|
| F.A.P. RTE. | SECTION | COUNTY | TOTAL SHEETS | SHEET NO. |
| 316 | 102BR-5 | LEE | 216 | 116 |
| CONTRACT NO. 64D57 | | | ILLINOIS FED. AID PROJECT | |