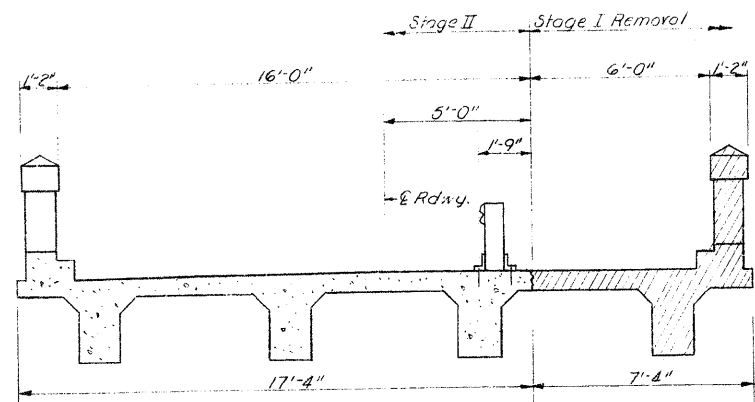


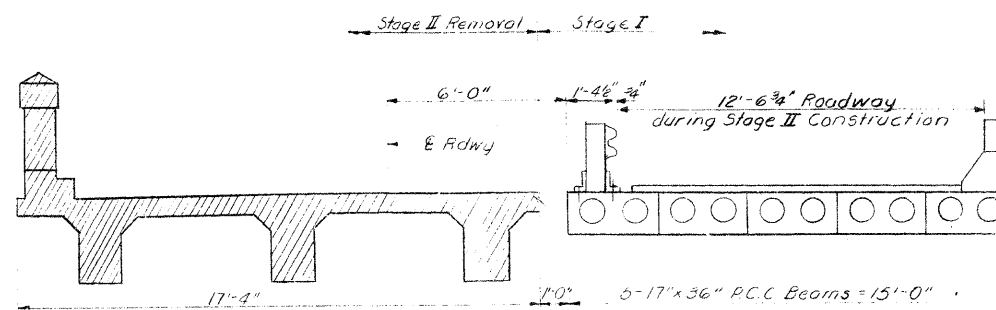
# EXISTING STRUCTURE PLANS (FOR REFERENCE ONLY)

STATE OF ILLINOIS  
DEPARTMENT OF PUBLIC WORKS & BUILDINGS  
DIVISION OF HIGHWAYS

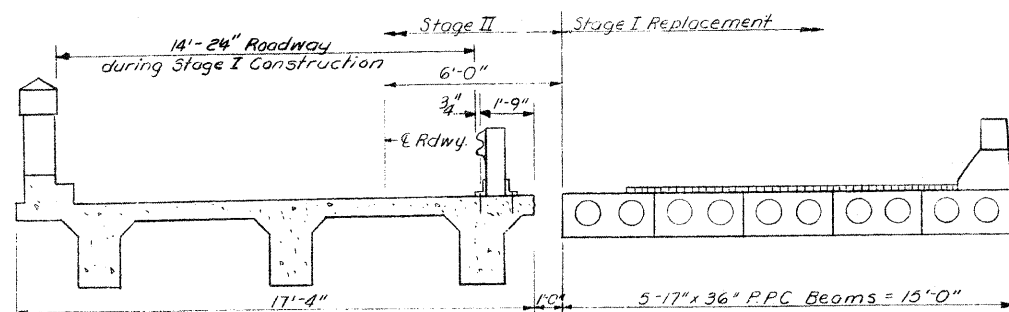
ROUTE NO.	SECTION	COUNTY	TOTAL SHEETS	SHEET NO.	SHEET NO. 2 8 SHEETS
27	102BR	LEE	10	4	
FED. ROAD DIST. NO. 1					



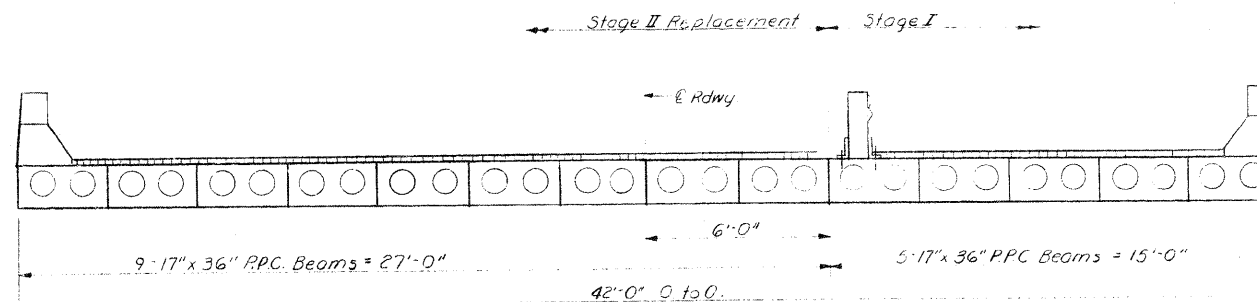
STAGE I DECK REMOVAL



STAGE II DECK REMOVAL

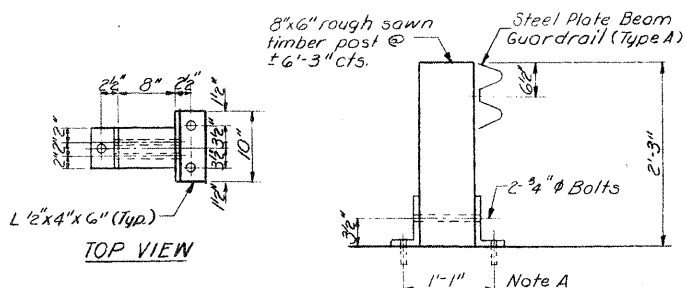


STAGE I DECK REPLACEMENT



STAGE II DECK REPLACEMENT

ALL SUPERSTRUCTURE VIEWS LOOKING NORTH

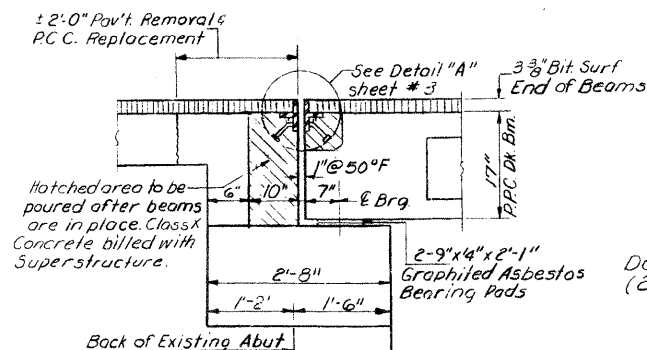


Note A: Temporary Guardrail Anchors  
Stage I: 3-3/4" Self-drilling expansion bolts in existing deck  
Stage II: 3-3/4" bolts cast in deck beam. Burn flush after guardrail removal.

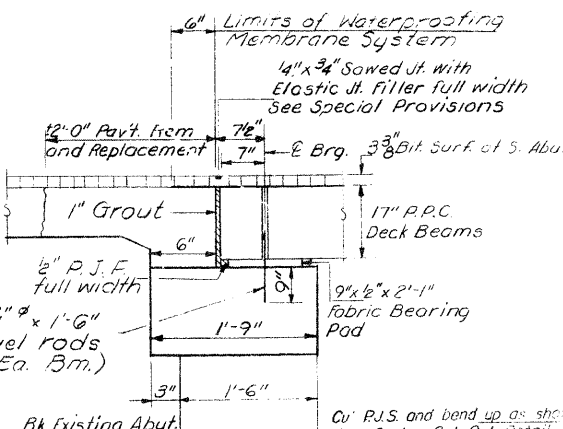
TEMPORARY GUARDRAIL DETAIL  
See Special Provisions

DESIGNED	J. M. Pate
CHECKED	[Signature]
DRAWN	Ben Robinson
CHECKED	[Signature]

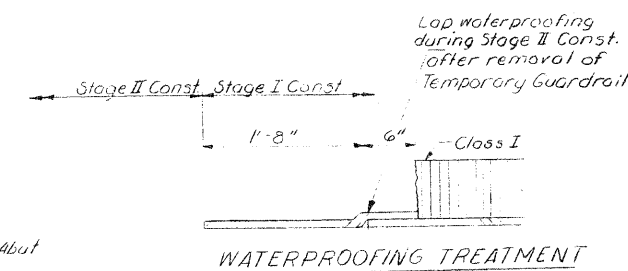
EXAMINED	[Signature]
PASSED	W. Beumann
APPROVED	Richard H. Holterman



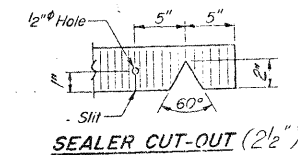
SECTION THRU NORTH ABUT.  
AT C.R.W.Y.



SECTION THRU SOUTH ABUT.  
AT C.R.W.Y.



WATERPROOFING TREATMENT



SEALER CUT-OUT (2 1/2")

STAGE CONSTRUCTION SUPERSTRUCTURE DETAILS  
SBI RT 89 SEC. 102 BR  
LEE COUNTY  
STA 489+50

END OF DECK TREATMENT

FILE NAME =	USER NAME = grantpm	DESIGNED -	REVISED -	STATE OF ILLINOIS DEPARTMENT OF TRANSPORTATION	EXISTING STRUCTURE PLANS				F.A.P. RTE.	SECTION	COUNTY	TOTAL SHEETS	SHEET NO.		
c:\pwwork\pwwork\grantpm\dms4181\02-st-typical.dgn	DESIGNED -	REVISED -	REVISED -		SCALE:	SHEET NO.	OF	SHEETS	STA.	TO STA.	316	*	LEE	216	153
PLOT SCALE = 50.0000 / 1 in.	DRAWN -	REVISED -	REVISED -		CONTRACT NO. 64D57										
PLOT DATE = Thu Jul 14 10:19:56 2011	CHECKED -	REVISED -	REVISED -		ILLINOIS FED. AID PROJECT										