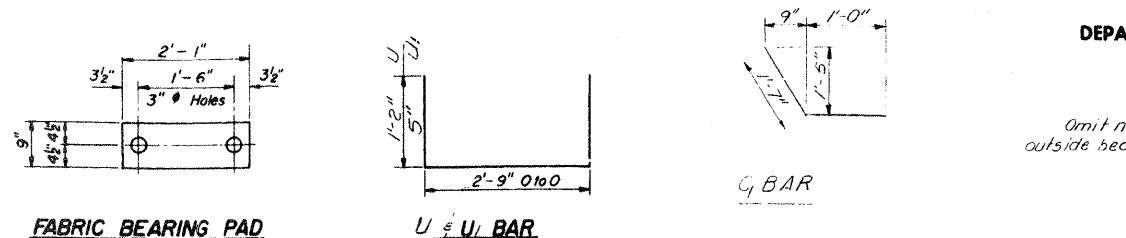


EXISTING STRUCTURE PLANS (FOR REFERENCE ONLY)

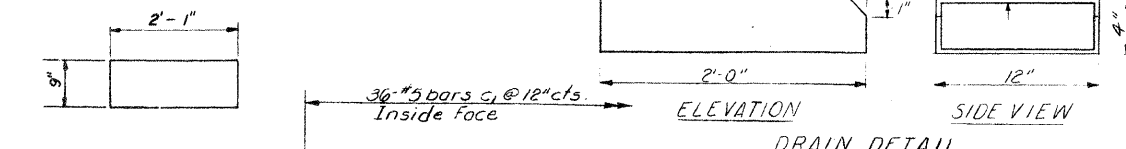
STATE OF ILLINOIS
DEPARTMENT OF PUBLIC WORKS & BUILDINGS
DIVISION OF HIGHWAYS

ROUTE NO.	SECTION	COUNTY	TOTAL SHEETS	SHEET NO.
27	102BR	LEE	10	5
SHEETS				



FABRIC BEARING PAD

U & U BAR

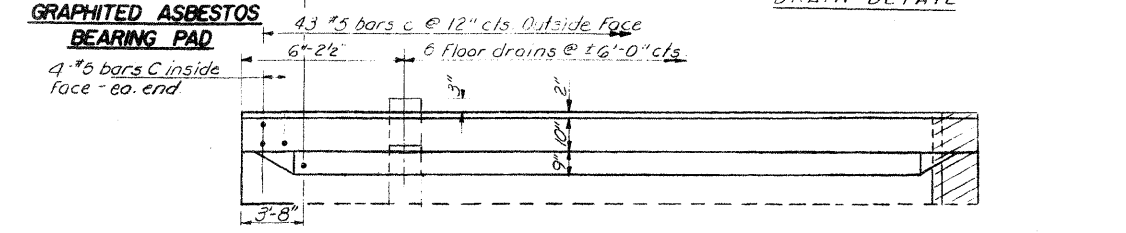


GRAPHITED ASBESTOS BEARING PAD

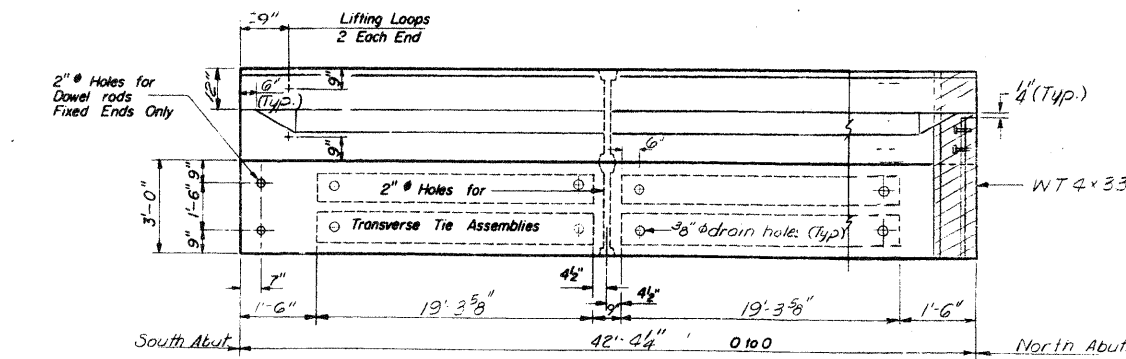
ELEVATION

SIDE VIEW

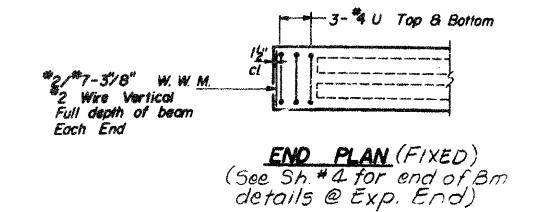
DRAIN DETAIL



PLAN OF OUTSIDE BEAM



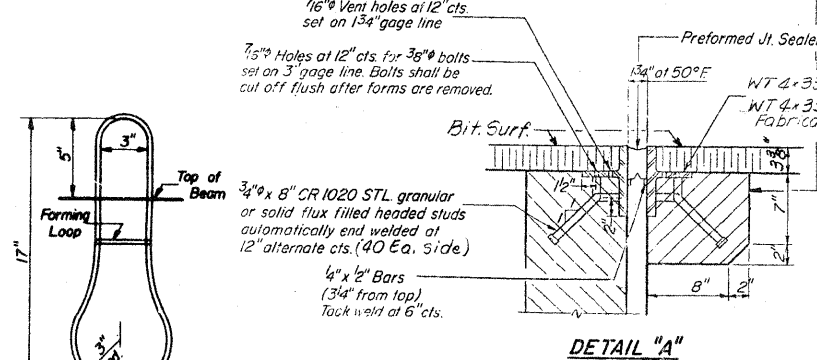
PLAN



END PLAN (FIXED)
(See Sh. #4 for end of Bm details @ Exp. End)

DESIGNED	J. M. Patel	EXAMINED	[Signature]
CHECKED	[Signature]	PASSED	[Signature]
DRAWN	JAMES R. CARMAN	APPROVED	[Signature]
CHECKED	[Signature]		

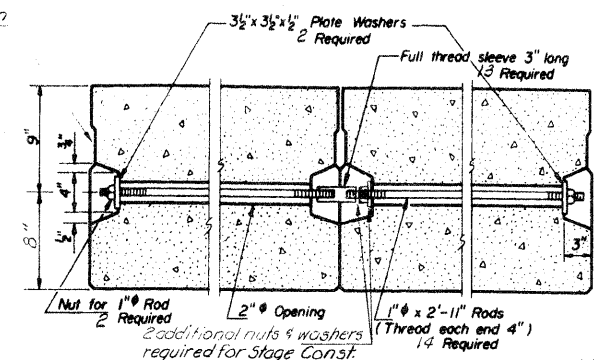
PD-1-S 11-19-65 Rev 5-20-68



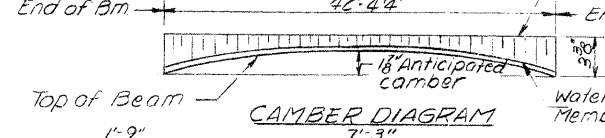
DETAIL "A"

LIFTING LOOP DETAIL

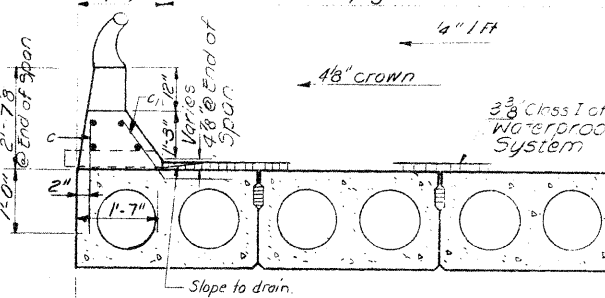
NOTE: Dimensions are at right angles.
Attached areas to be poured after beams have been erected and joints grouted.
Ends of beams shall be aligned at the expansion joints. Any linear variation in the beam lengths shall be placed at the fixed joint.
See End of Beam Detail for reinforcement. Sheet #4.



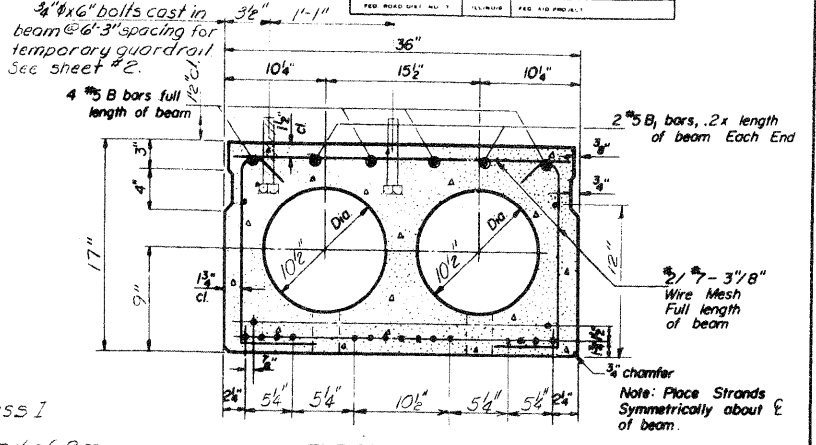
TYPICAL TRANSVERSE TIE ASSEMBLY



CAMBER DIAGRAM

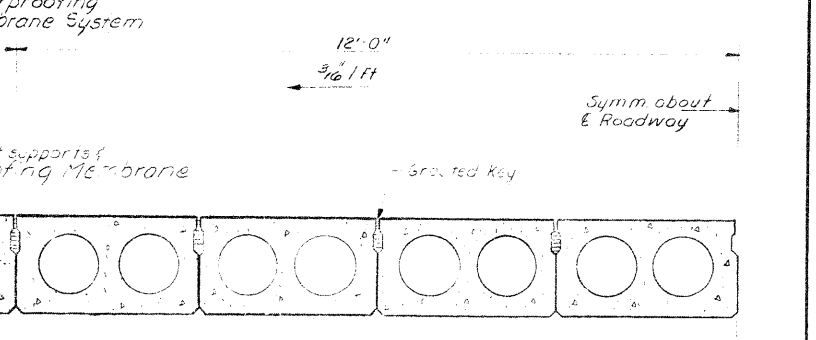


7 Precast prestressed concrete beams 3 #3 each x 21'-0"



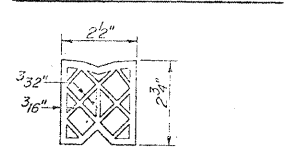
TYPICAL SECTION

19 #7-3/8" Strands Each Strand Stressed to 28,000 lbs.
15 Strands 1 3/4" up 2 Strands 3/4" up 2 Strands 1 1/2" up



12'-0" by 3/16" I.F.F. 48" crown

HALF CROSS SECTION



D BAR

PREFORMED JOINT SEALER (2'x2')

GENERAL NOTES

Prestressing steel shall be non-galvanized high strength, stress-relieved 7-wire strand, Grade 270. The nominal diameter shall be 1/2" and the nominal cross-sectional area shall be 0.113 sq. in. Lifting loops shall be 1/2" diameter, 6 x 25 class wire rope with fiber core and shall have a minimum ultimate tensile strength of 21,000 lbs. The 1/2" rods in the transverse tie assembly shall be tightened to a snug fit and the threads set. Pockets that receive transverse tie bar on outside beam shall be filled with grout after transverse tie assembly is in place. Longitudinal shear keys shall be packed with a very dry mix of 2-1 sand and P.C. mortar. After beams have been erected, holes for the dowel anchors shall be drilled into the sub-structure and the anchor dowels shall be grouted in place. Dowel rods shall be AASHTO M 227 or AASHTO M 31. Transverse tie rods shall be AASHTO M 227 Grade 70-80. After fabrication the transverse tie assemblies (tie rods, nuts, washers and sleeves) shall be hot-dipped galvanized in accordance with AASHTO Designation M 232. Cost of reinforcement and accessories cast into the beam, of bearing pads, and of grouting longitudinal shear keys is included in unit price bid for "Precast Prestressed Concrete Deck Beams". Drains shall be of Aluminum sheets welded ASTM: B 209 alloy 6061-T6. Cost of drains shall be incidental to Class X Concrete.

BILL OF MATERIAL

Bar	No.	Size	Length	Shape
b	3	#5	15'-9"	
b1	3	#5	27'-9"	
Precast Prestressed Concrete Deck Beams (17")		Sq. Ft.	1779	
Class X Concrete		Cu. Yds.	3.5	
Reinforcement Bars		Lbs	140	

For Curbs, parapet details and quantities see Sheet #4.

SUPERSTRUCTURE
SBI RT 89 SEC. 102-BR
LEE COUNTY
STA. 489+50