

STOP LINE SIGN FOR TEMPORARY SIGNALS



SIZE: 600(24) x 600(24)
 100(4) CAPITAL LETTERS - BLACK
 13 (1/2) BORDER - BLACK
 WHITE REFLECTIVE - TYPE AP
 HIGH INTENSITY PRISMATIC SHEETING

GENERAL NOTE:

THIS SIGN SHALL BE INSTALLED AT THE STOP LINE AS DIRECTED BY ENGINEER.

ALL DIMENSIONS ARE IN MILLIMETERS (INCHES) UNLESS OTHERWISE NOTED.

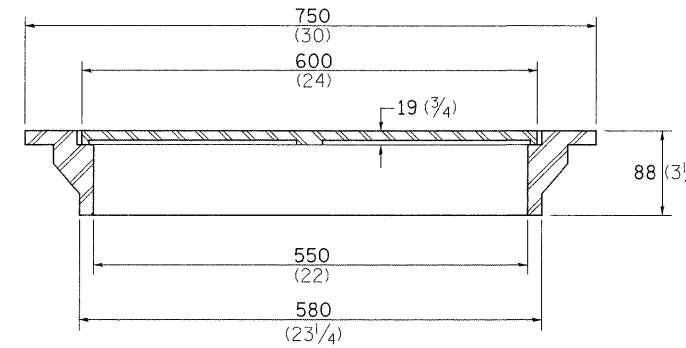
REVISED - 1-22-07

STOP LINE SIGN FOR TEMPORARY SIGNALS

99.4

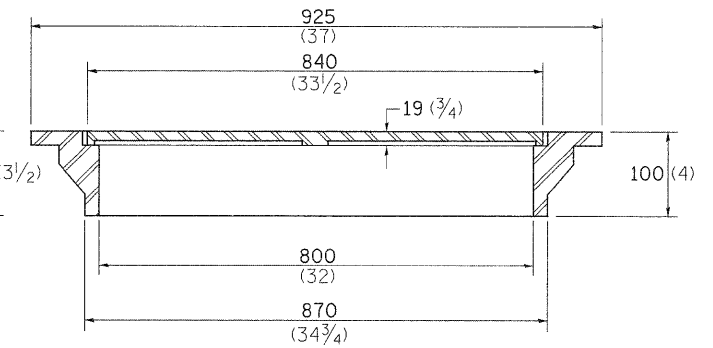
FIELD TILE JUNCTION VAULTS 600 (24) AND 900 (36) DIA.

FRAME & LID FOR 600 (24) VAULT

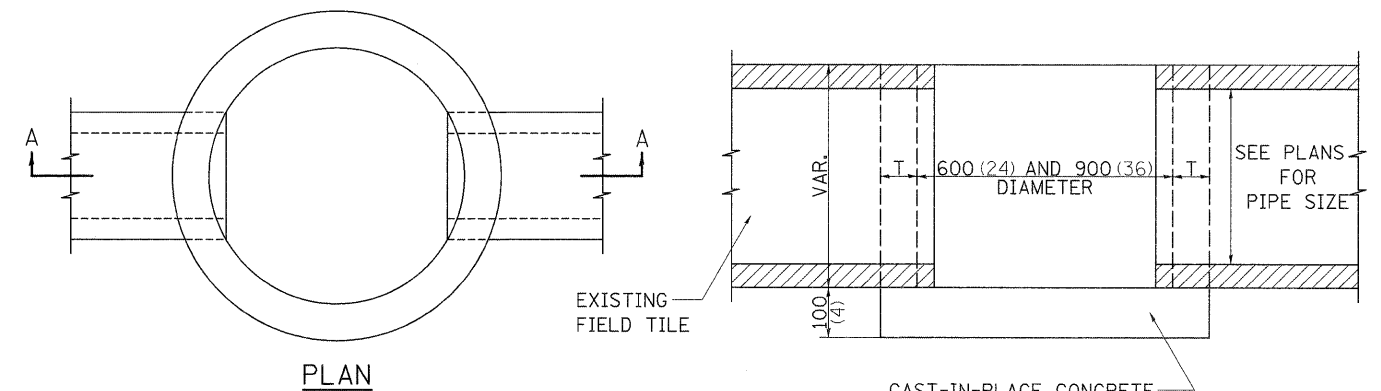


TOTAL WEIGHT: 66 Kg (146 lbs)

FRAME & LID FOR 900 (36) VAULT



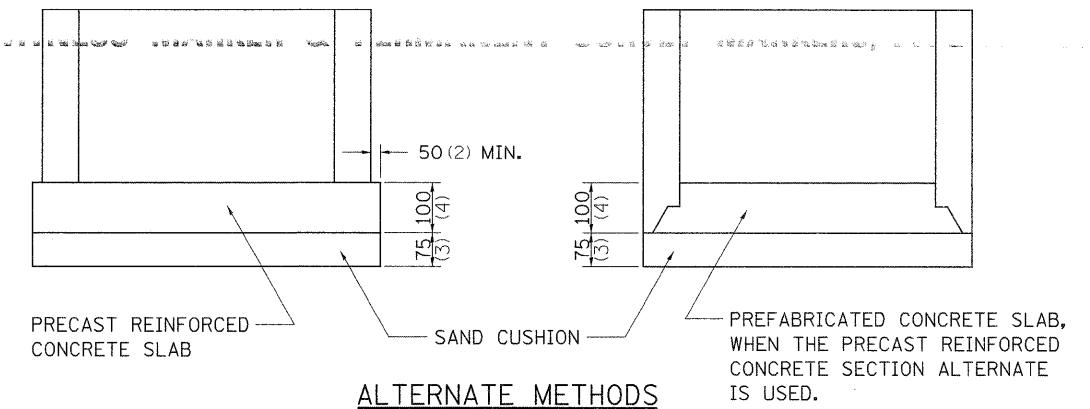
TOTAL WEIGHT: 127 Kg (280 lbs)



ALTERNATE MATERIALS FOR WALLS	T
BRICK MASONRY	200 (8)
CAST-IN-PLACE CONCRETE	150 (6)
CONCRETE MASONRY UNIT	125 (5)
PRECAST REINFORCED CONCRETE SECTION	75 (3)

NOTE: THE FRAME AND LID IS REQUIRED ON ALL JUNCTION VAULTS.

ALL DIMENSIONS ARE IN MILLIMETERS (INCHES) UNLESS OTHERWISE NOTED.



ALTERNATE METHODS

REVISED 5-03-94	REGION 2 / DISTRICT 2 STANDARD				F.A.P. RTE. 316	SECTION *	COUNTY LEE	TOTAL SHEETS 216	SHEET NO. 169
REVISED -	SCALE: 50.0000 / 1" SHEET NO. OF SHEETS STA. TO STA.				FED. ROAD DIST. NO. ILLINOIS FED. AID PROJECT		CONTRACT NO. 64D57		
REVISED -	PLOT DATE = Tue Aug 23 06:28:38 2011				FIELD TILE JUNCTION VAULTS 600 (24) AND 900 (36) DIA. 30.2				

* 102BR-5, 102BR-6, & 102BR-7