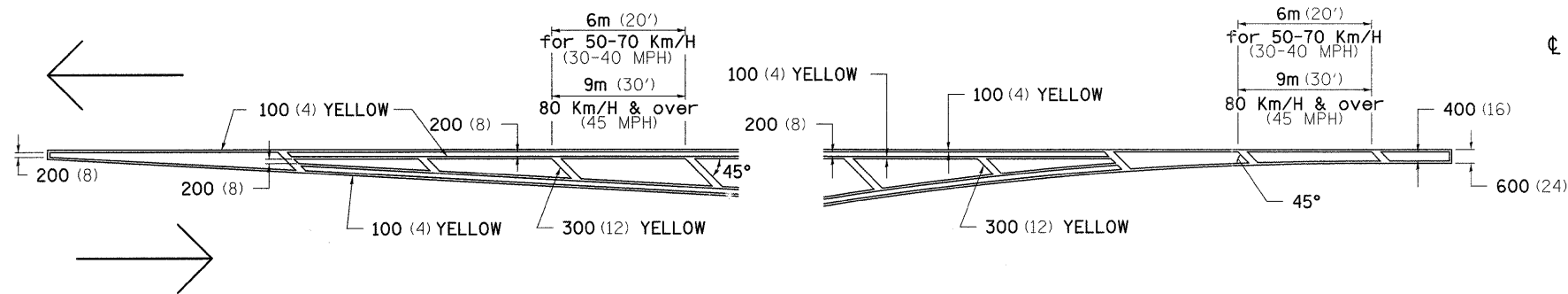
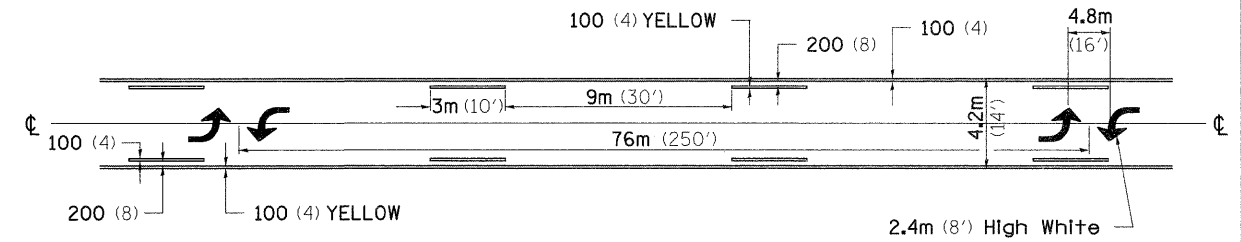


# TYPICAL PAVEMENT MARKINGS

## TYPICAL PAVEMENT MARKING FOR FLUSH MEDIAN AT LEFT TURN LANE

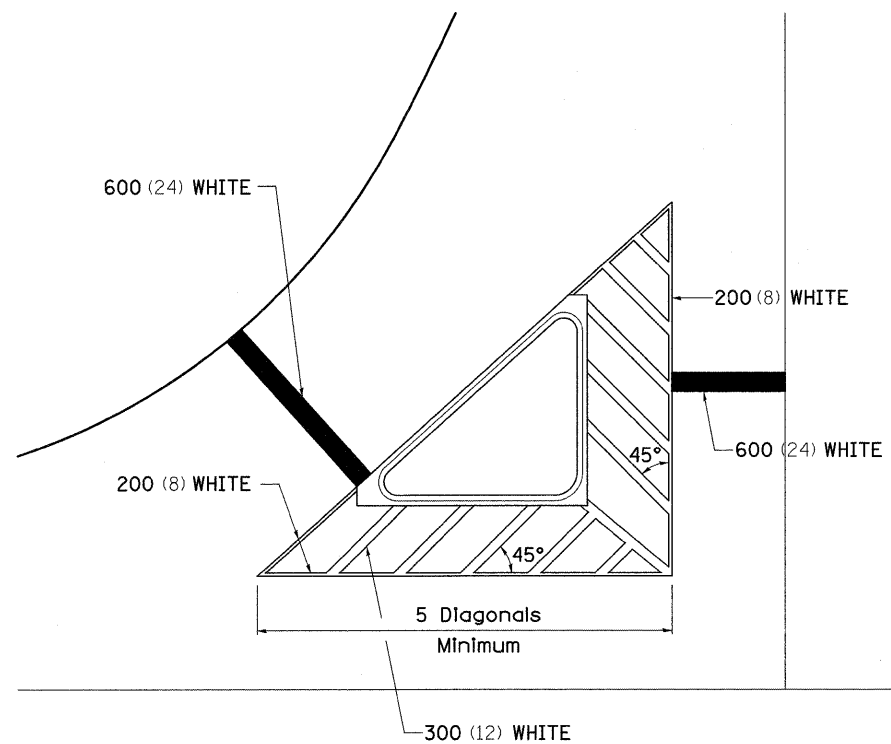


## MEDIAN PAVEMENT MARKING

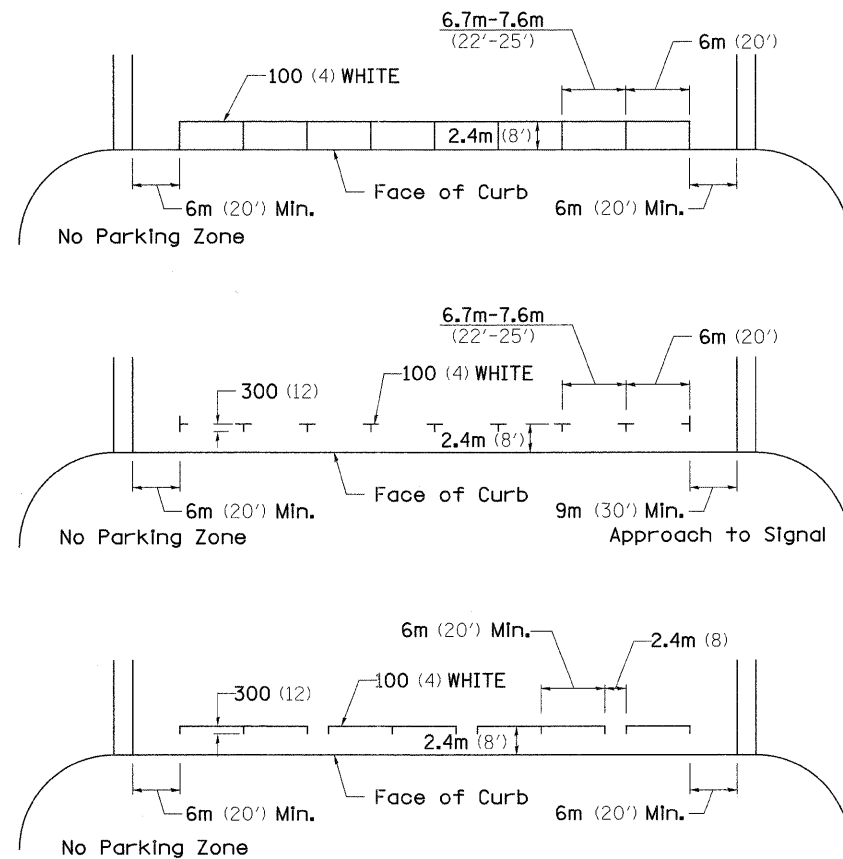


\*\* ALL DIMENSIONS ARE IN MILLIMETERS (INCHES) UNLESS OTHERWISE NOTED.

## TYPICAL ISLAND OFFSET SHOULDER WIDTH

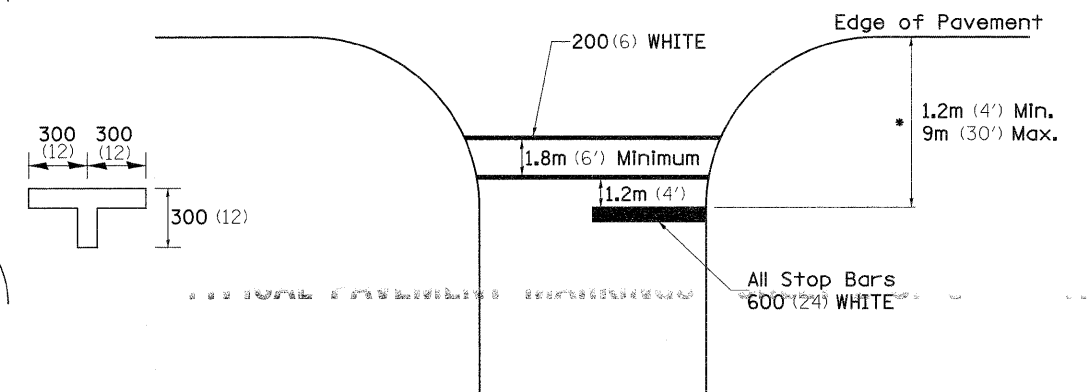


## TYPICAL PARKING SPACING



## STANDARD CROSSWALK MARKING

See Schedules for Locations



\* Distance to the nearest edge of the intersecting roadway in the absence of a marked crosswalk.

FILE NAME =	USER NAME = grantpm	DESIGNED -	REVISED - 4-4-11	<b>STATE OF ILLINOIS DEPARTMENT OF TRANSPORTATION</b>	<b>REGION 2 / DISTRICT 2 STANDARD</b>			F.A.P. RTE.	SECTION	COUNTY	TOTAL SHEETS	SHEET NO.
ct:\pav_work\pav\dot\grantpm\dms41810\210807-sht-details.dgn		DRAWN -	REVISED -					316	*	LEE	216	172
PLOT SCALE = 50.0000' / in.		CHECKED -	REVISED -					CONTRACT NO. 64D57				
PLOT DATE = Tue Aug 23 06:20:41 2011		DATE -	REVISED -					FED. ROAD DIST. NO. ILLINOIS FED. AID PROJECT				