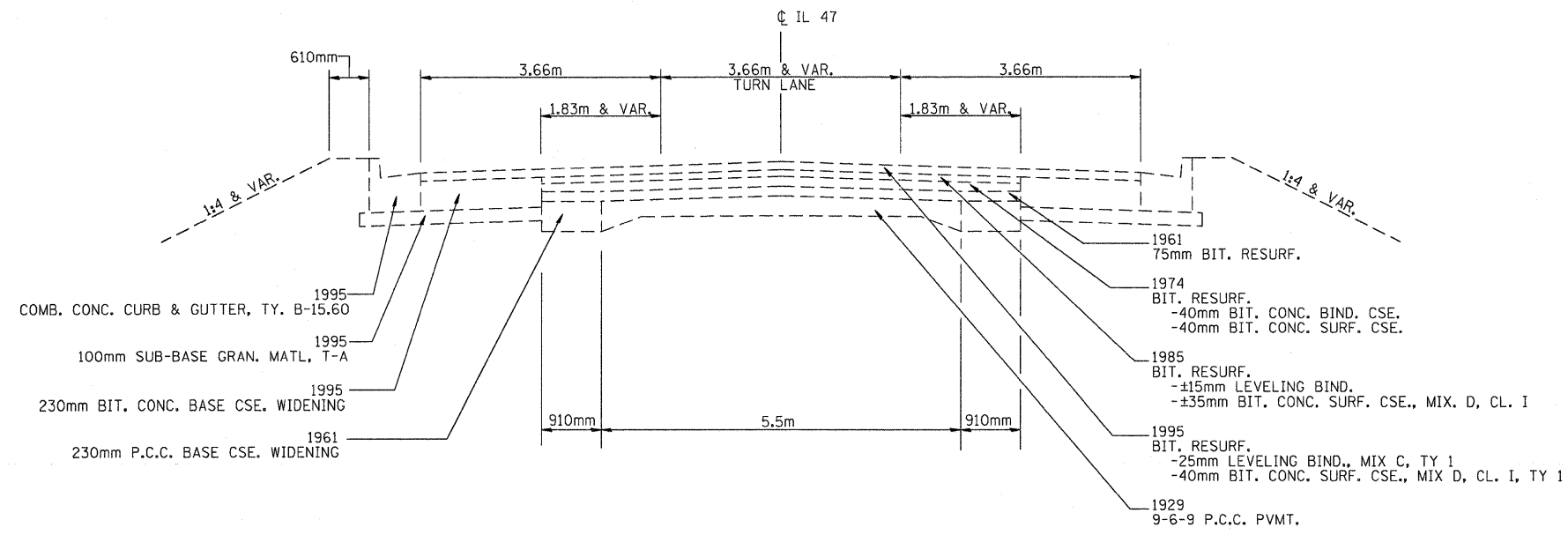
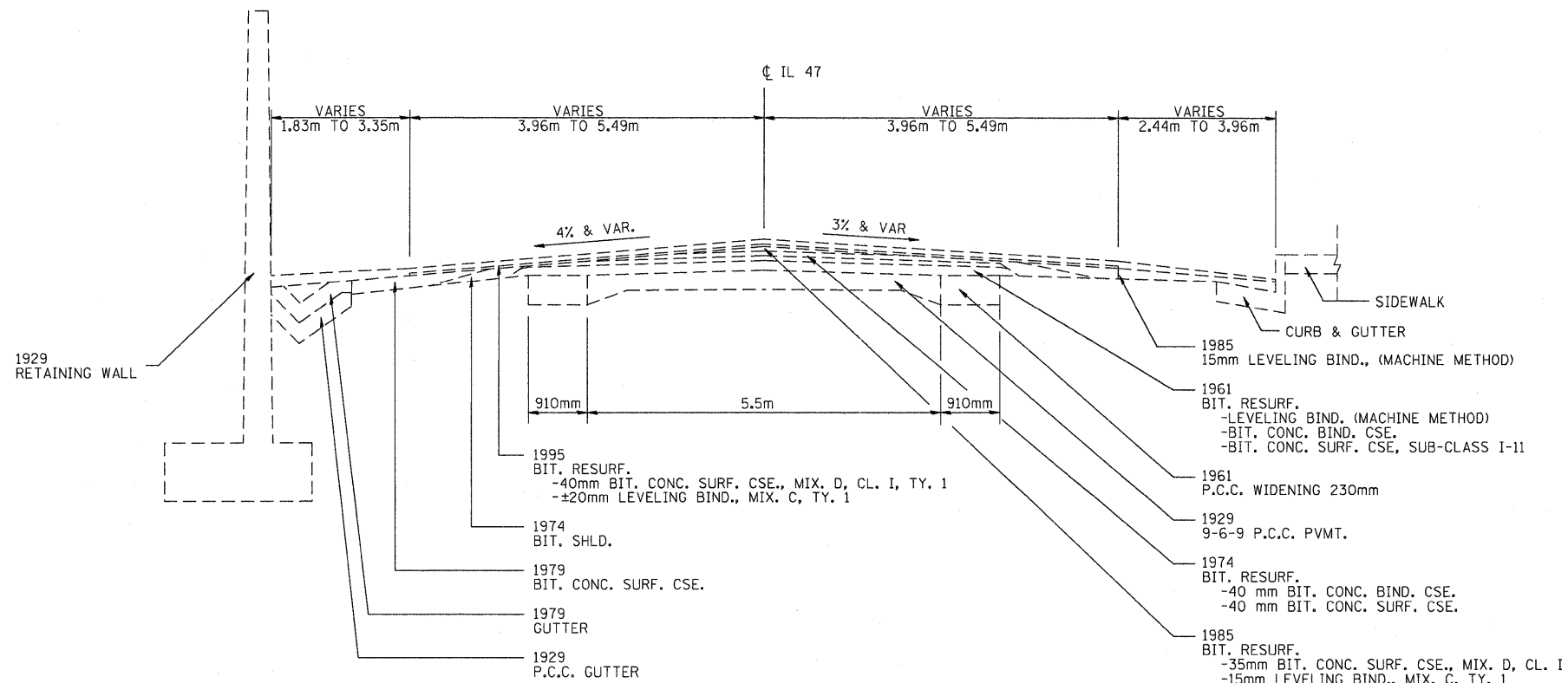


F.A.P. RTE.	SECTION	COUNTY	TOTAL SHEETS	SHEET NO.
326	5CS,13C,108,109R	KENDALL	931	27
STA.		TO STA.		
FED. ROAD DIST. NO.		ILLINOIS	FED. AID PROJECT	



**IL ROUTE 47**  
**EXISTING TYPICAL SECTION**  
STA. 20+414 TO STA. 20+655

NOTE:  
STA. 20+579.98 TO STA. 20+649.47  
6.86m FROM CL TO EOP LT - 3.96m LANE & 2.90m LANE  
7.31m & VAR. FROM CL TO EOP RT - 3.96m LANE & 3.35m & VAR. LANE



**IL ROUTE 47**  
**EXISTING TYPICAL SECTION**  
STA. 20+655 TO STA. 20+817

REVISIONS	
NAME	DATE

ILLINOIS DEPARTMENT OF TRANSPORTATION  
**EXISTING TYPICAL SECTION**  
**FAP 326 (IL. RTE. 47)**  
DRAWN BY  
CHECKED BY  
DATE

FILE: \$FILE\$  
PLOTTED: 9/21/2011

HMG JOB NO. 5122