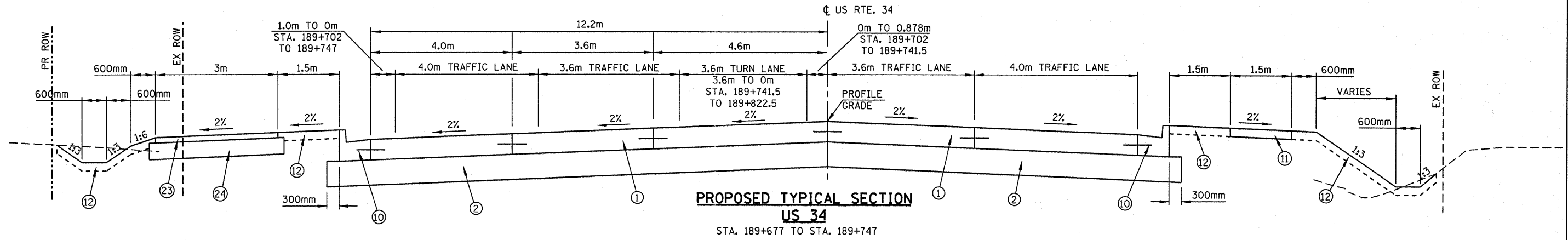
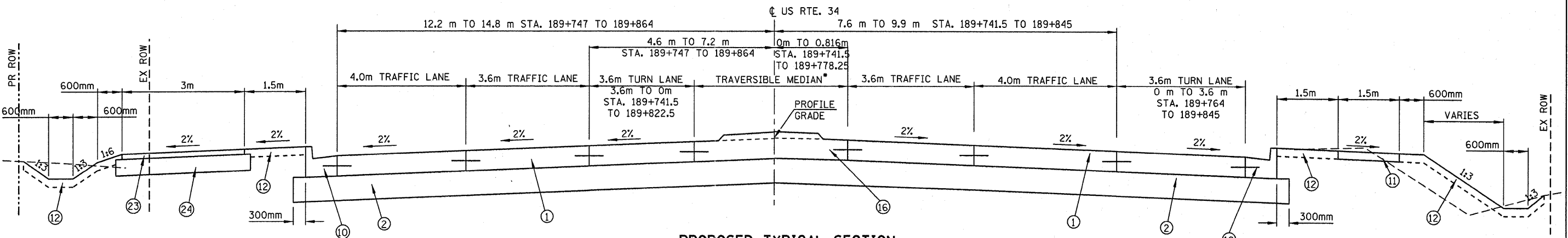


F.A.P. RTE.	SECTION	COUNTY	TOTAL SHEETS	SHEET NO.
326	(5CS,13C,108,109R)	KENDALL	931	55
STA.		TO STA.		
FED. ROAD DIST. NO.		ILLINOIS FED. AID PROJECT		

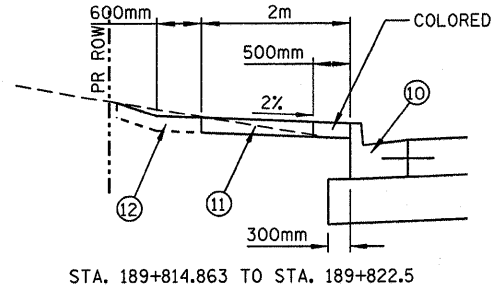


**PROPOSED TYPICAL SECTION  
US 34**  
STA. 189+677 TO STA. 189+747



**PROPOSED TYPICAL SECTION  
US 34**  
STA. 189+747 TO STA. 189+778.25

\* TRAVERSIBLE MEDIAN BEGINS  
STA. 189+753



STA. 189+814.863 TO STA. 189+822.5

**LEGEND**

- |   |  |  |
|---|--|--|
| ① PORTLAND CEMENT CONCRETE PAVEMENT 250MM (JOINTED)             | ⑨ COMBINATION CONCRETE CURB & GUTTER, TYPE B-15.30 | ⑰ CONCRETE MEDIAN, TYPE SB-15.30 (DOWELLED)          |
| ② AGGREGATE SUBGRADE 300mm OR 600mm                             | ⑩ COMBINATION CONCRETE CURB & GUTTER, TYPE B-15.60 | ⑱ CONCRETE CURB, TYPE B (SPECIAL)                    |
| ③ HOT-MIX ASPHALT SURFACE COURSE, MIX "E", N90, 38mm            | ⑪ PORTLAND CEMENT CONCRETE SIDEWALK 100mm          | ⑲ STRIP REFLECTIVE CRACK CONTROL, SYS. A             |
| ④ HOT-MIX ASPHALT BASE COURSE WIDENING, 270mm                   | ⑫ TOPSOIL FURNISH AND PLACE, 100mm                 | ⑳ BITUMINOUS MATERIALS (PRIME COAT)                  |
| ⑤ HOT-MIX ASPHALT SHOULDERS 200mm                               | ⑬ HOT-MIX ASPHALT BASE COURSE, 115mm               | ㉑ AGGREGATE (PRIME COAT)                             |
| ⑥ HOT-MIX ASPHALT SHOULDERS 250mm                               | ⑭ CORRUGATED MEDIAN (DOWELLED)                     | ㉒ AGGREGATE SHOULDERS TYPE B 150mm                   |
| ⑦ POLYMERIZED LEVELING BINDER (MACHINE METHOD), N50 (25mm MIN.) | ⑮ CONCRETE MEDIAN TYPE SB-15.60 (DOWELLED)         | ㉓ HOT-MIX ASPHALT SURFACE COURSE, MIX "C", N30, 64mm |
| ⑧ HOT-MIX ASPHALT SURFACE REMOVAL (VARIABLE DEPTH)              | ⑯ CONCRETE MEDIAN TYPE M-5 (DOWELLED)              | ㉔ AGGREGATE BASE COURSE, TYPE B, 150mm               |
|   |  | ㉕ HOT-MIX ASPHALT SURFACE COURSE, MIX "D", N90, 38mm |

REVISIONS	
NAME	DATE
BDD	9/1/11

ILLINOIS DEPARTMENT OF TRANSPORTATION

**PROPOSED TYPICAL SECTION  
US 34**

DATE \_\_\_\_\_ DRAWN BY \_\_\_\_\_  
CHECKED BY \_\_\_\_\_

FILE: #FILES#  
PLOTTED: 9/1/2011

HMG JOB NO. 5122