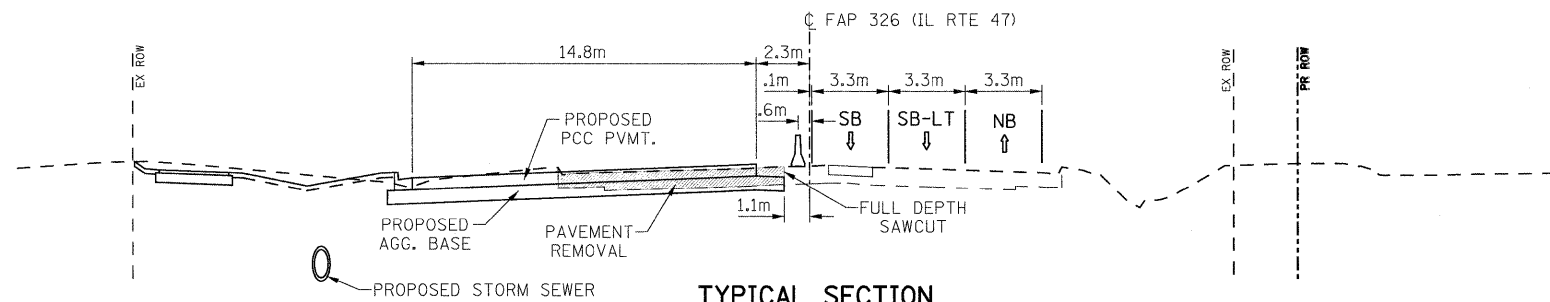
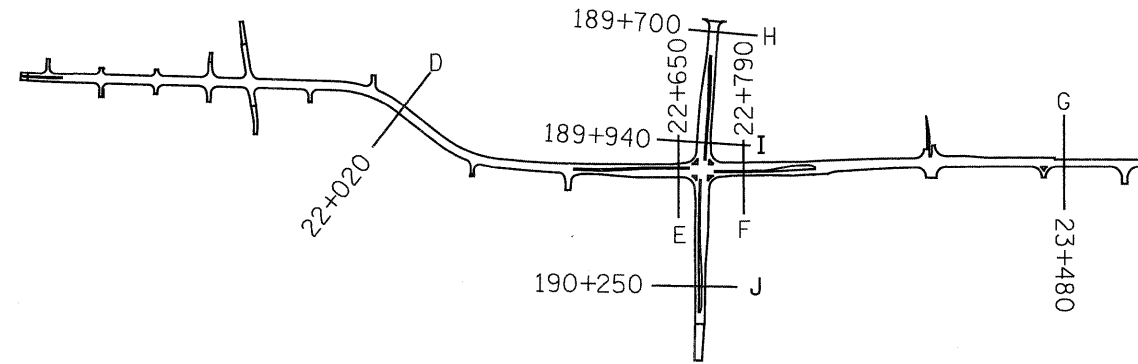
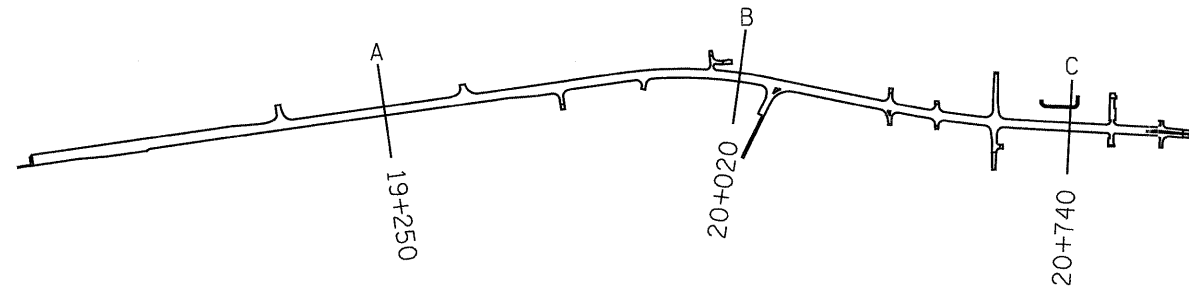
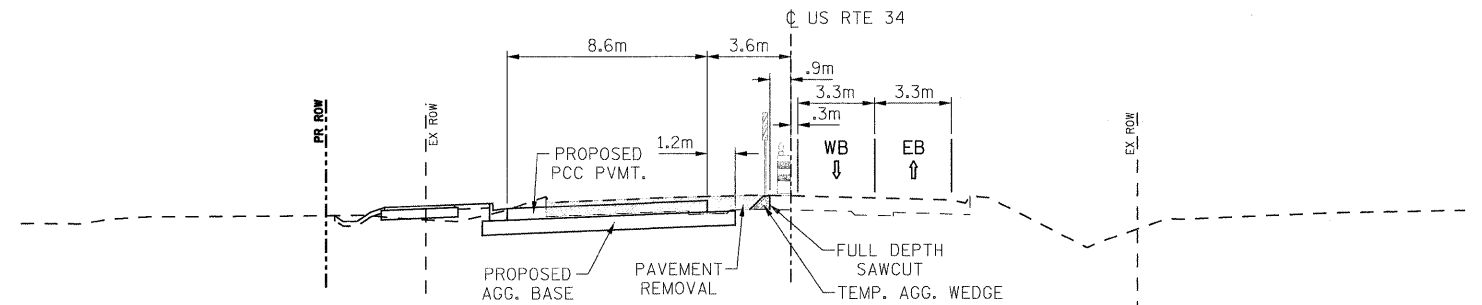


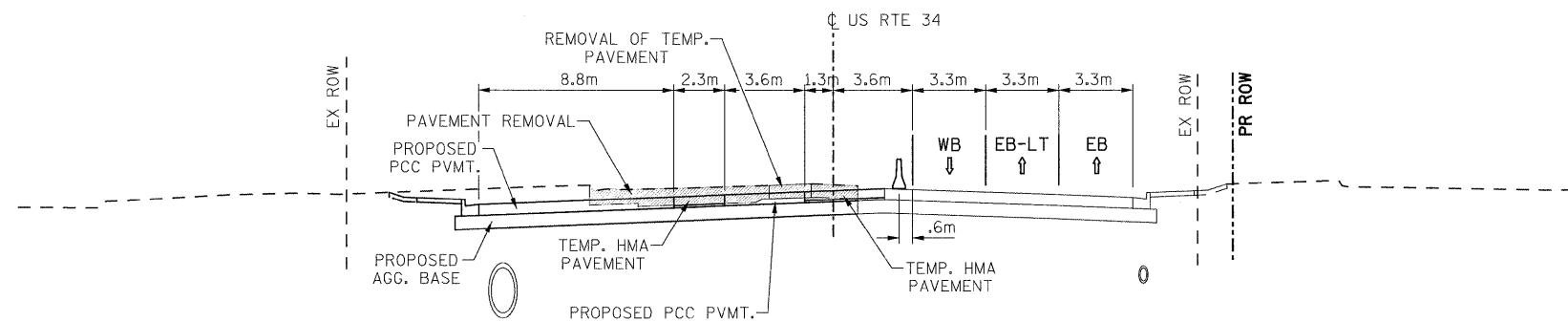
F.A.P. RTE.	SECTION	COUNTY	TOTAL SHEETS	SHEET NO.
326	(SCS,13C,108,109)R	KENDALL	931	275
STA.		TO STA.		
FED. ROAD DIST. NO.		ILLINOIS FED. AID PROJECT		



**TYPICAL SECTION  
STAGE 6  
SECTION F**



**TYPICAL SECTION  
STAGE 6  
SECTION H**



**TYPICAL SECTION  
STAGE 6  
SECTION I**

FILE: 270-278STAGE\_TYPICALS.dgn  
PLOTTED: 8/11/2011

HMG JOB NO. 5122