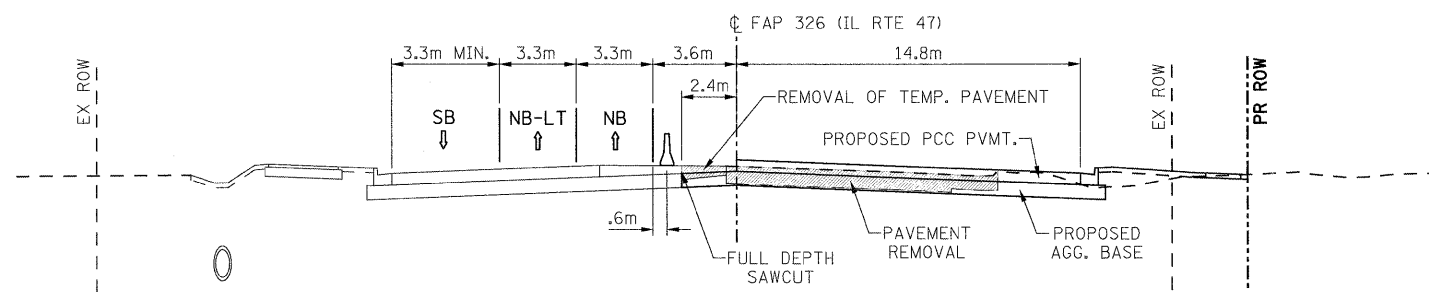
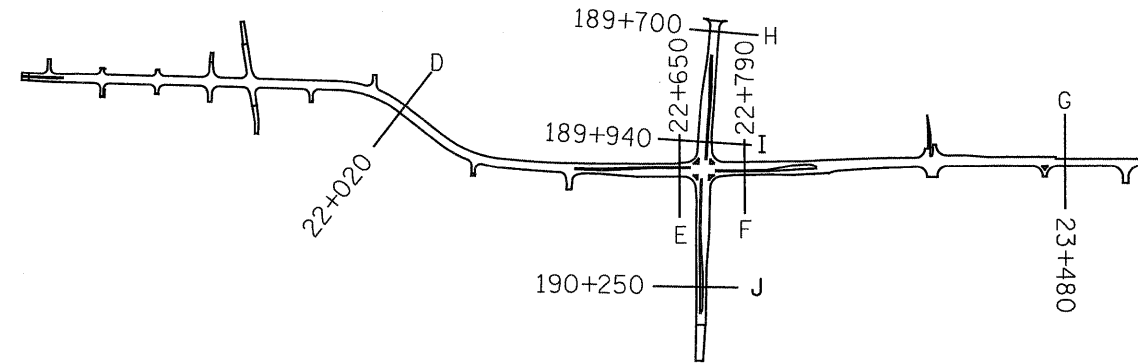
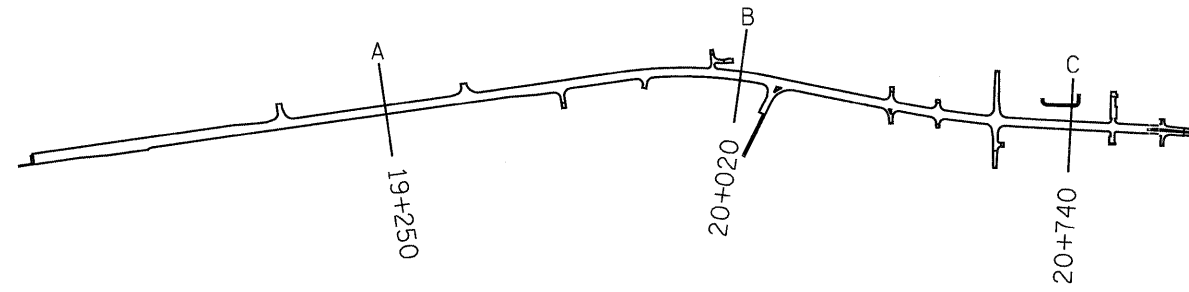
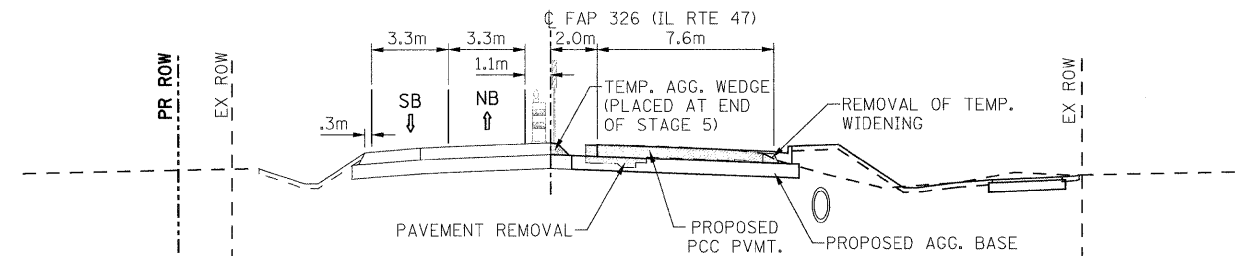


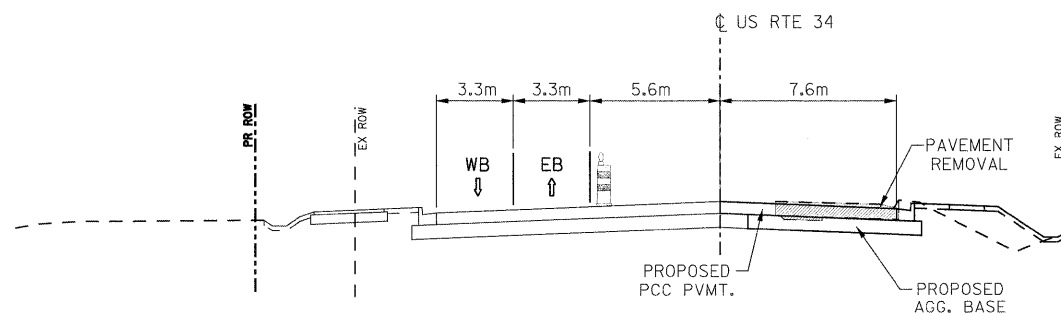
F.A.P. RTE.	SECTION	COUNTY	TOTAL SHEETS	SHEET NO.
326	(5CS,13C,108,109)R	KENDALL	931	277
STA.		TO STA.		
FED. ROAD DIST. NO.		ILLINOIS FED. AID PROJECT		



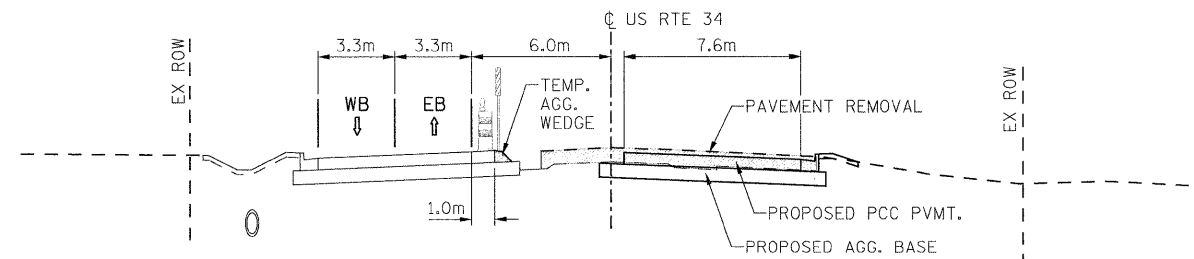
**TYPICAL SECTION
STAGE 8
SECTION E**



**TYPICAL SECTION
STAGE 8
SECTION G**



**TYPICAL SECTION
STAGE 8
SECTION H**



**TYPICAL SECTION
STAGE 8
SECTION J**

FILE: 270-278STAGE.TYPICALS.dgn
PLOTTED: 8/11/2011

HMC JOB NO. 5122