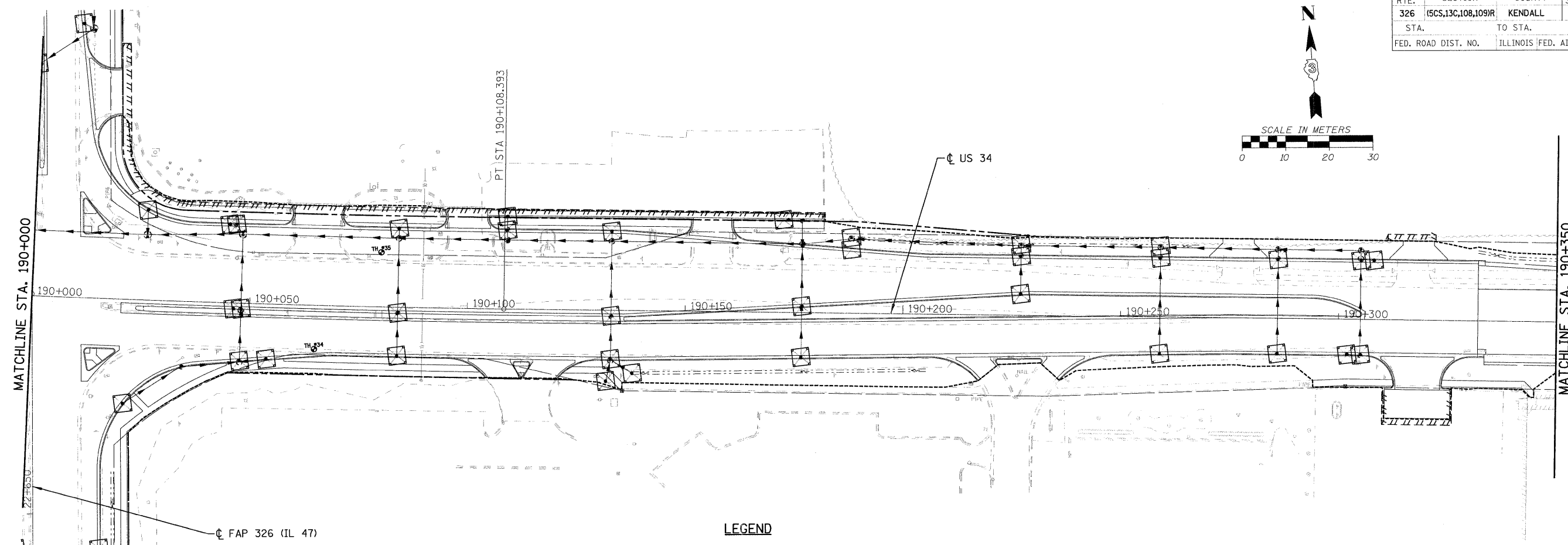
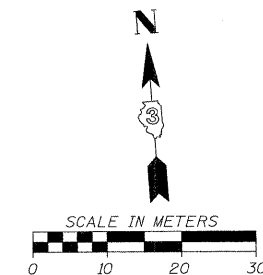
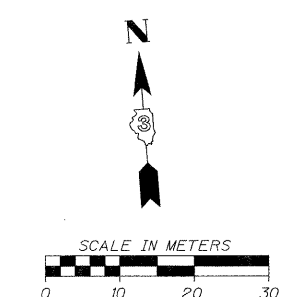
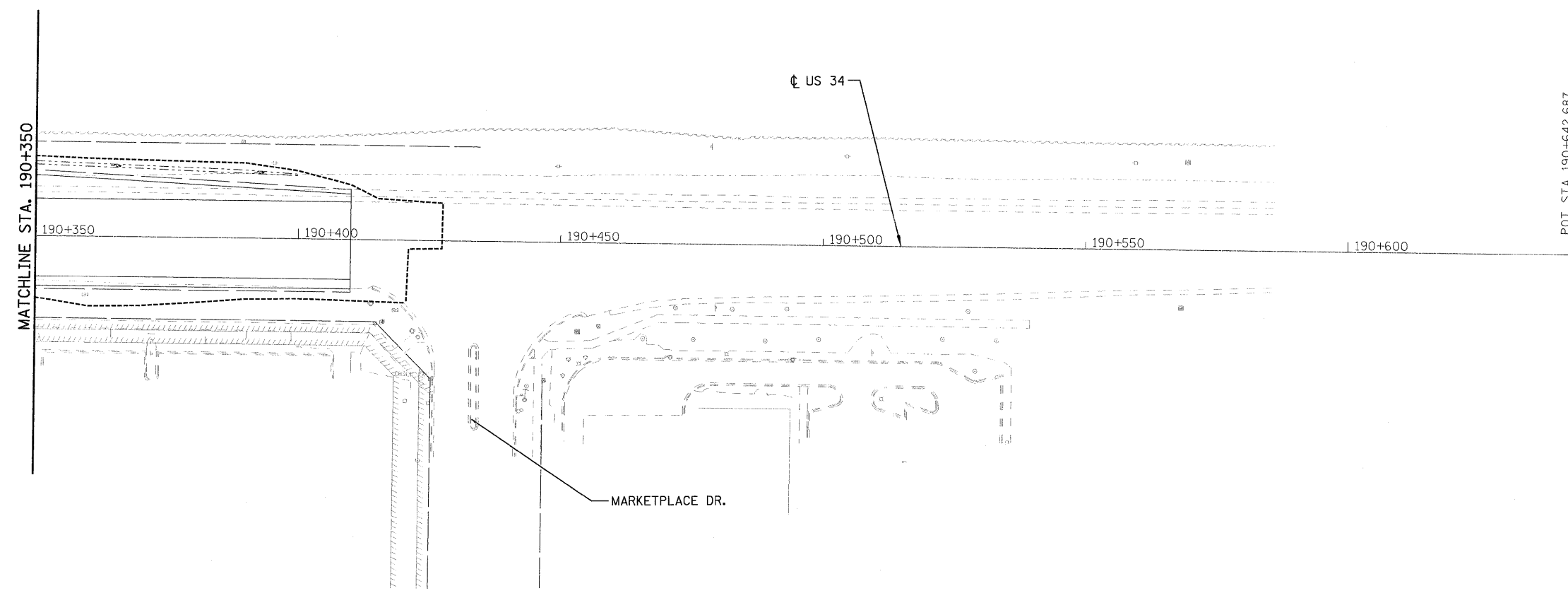


F.A.P. RTE.	SECTION	COUNTY	TOTAL SHEETS	SHEET NO.
326	(5CS,13C,108,109R)	KENDALL	931	390
STA.	TO STA.			
FED. ROAD DIST. NO.	ILLINOIS FED. AID PROJECT			



LEGEND

- TEMPORARY DITCH CHECK
- PERIMETER EROSION BARRIER
- INLET AND PIPE PROTECTION



FILE: 390swppp34_02.dgn
PLOTTED: 8/11/2011

HMG JOB NO. 5122