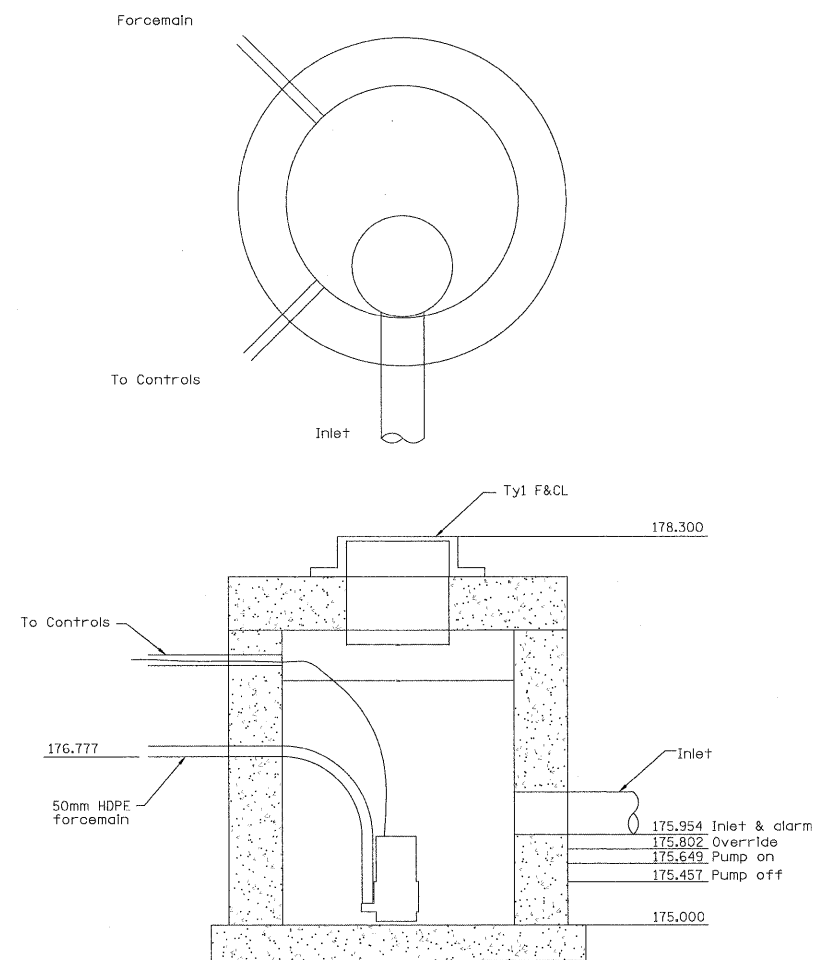
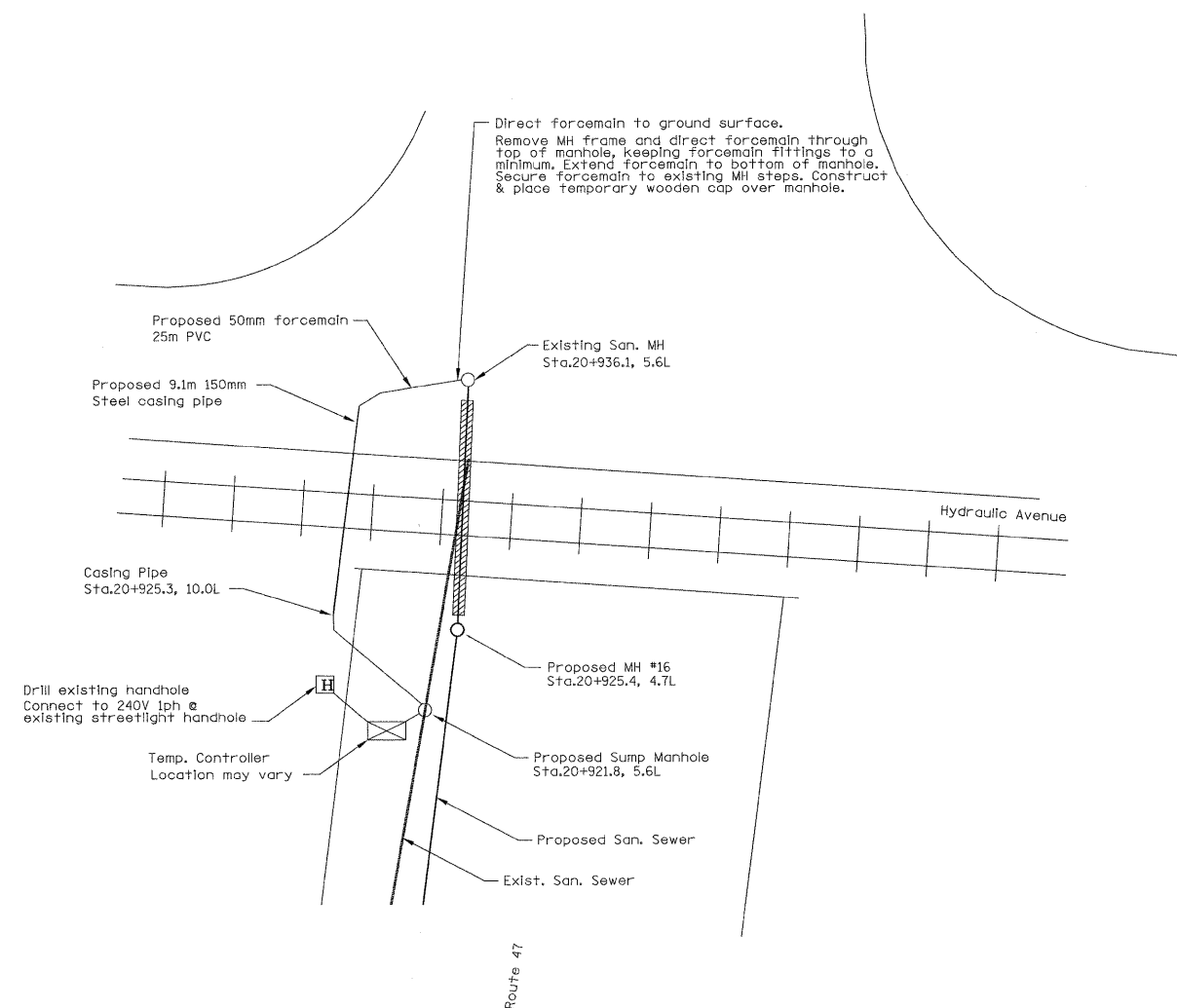


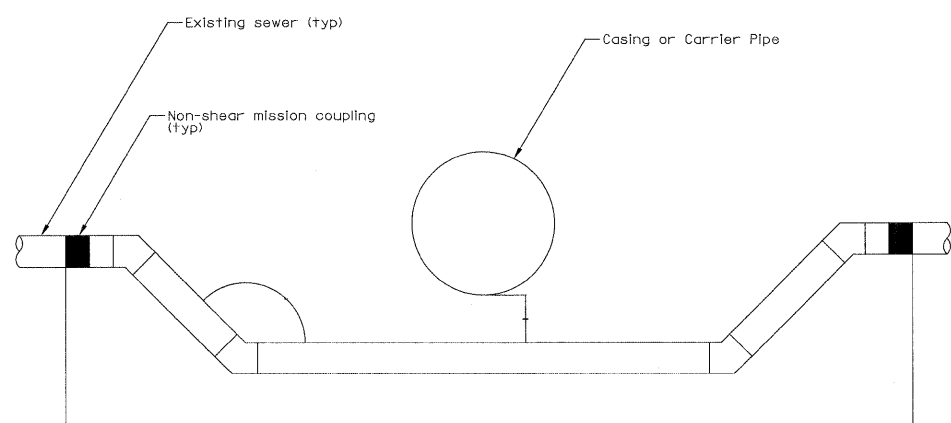
F.A.P. RTE.	SECTION	COUNTY	TOTAL SHEETS	SHEET NO.
326	(SCS,13C,108,109)R	KENDALL	931	481
STA.		TO STA.		
FED. ROAD DIST. NO.		ILLINOIS FED. AID PROJECT		



Bypass Pumping - Detail 2



Bypass Pumping - Detail 1



Notes: 1) Siphon pipe & fittings to be constructed of PVC-SDR26 of the same diameter as existing sewer.
 2) Lower part of siphon to be of one piece, centered on casing or carrier pipe.

Temporary Siphon

Contractor to construct temporary sump MH over existing sanitary sewer south of RR tracks, Jack 9.1m of 150mm casing pipe across tracks, and set up bypass pumping prior to construction of new sanitary sewer. Casing to be re-used for streetlight conduit.

REVISIONS		ILLINOIS DEPARTMENT OF TRANSPORTATION
NAME	DATE	
		SANITARY SEWER TEMPORARY BYPASS DETAILS
		DATE
		DRAWN BY
		CHECKED BY

FILE: 481-485W&S details.dgn
 PLOTTED: 8/11/2011

HMG JOB NO. 5122