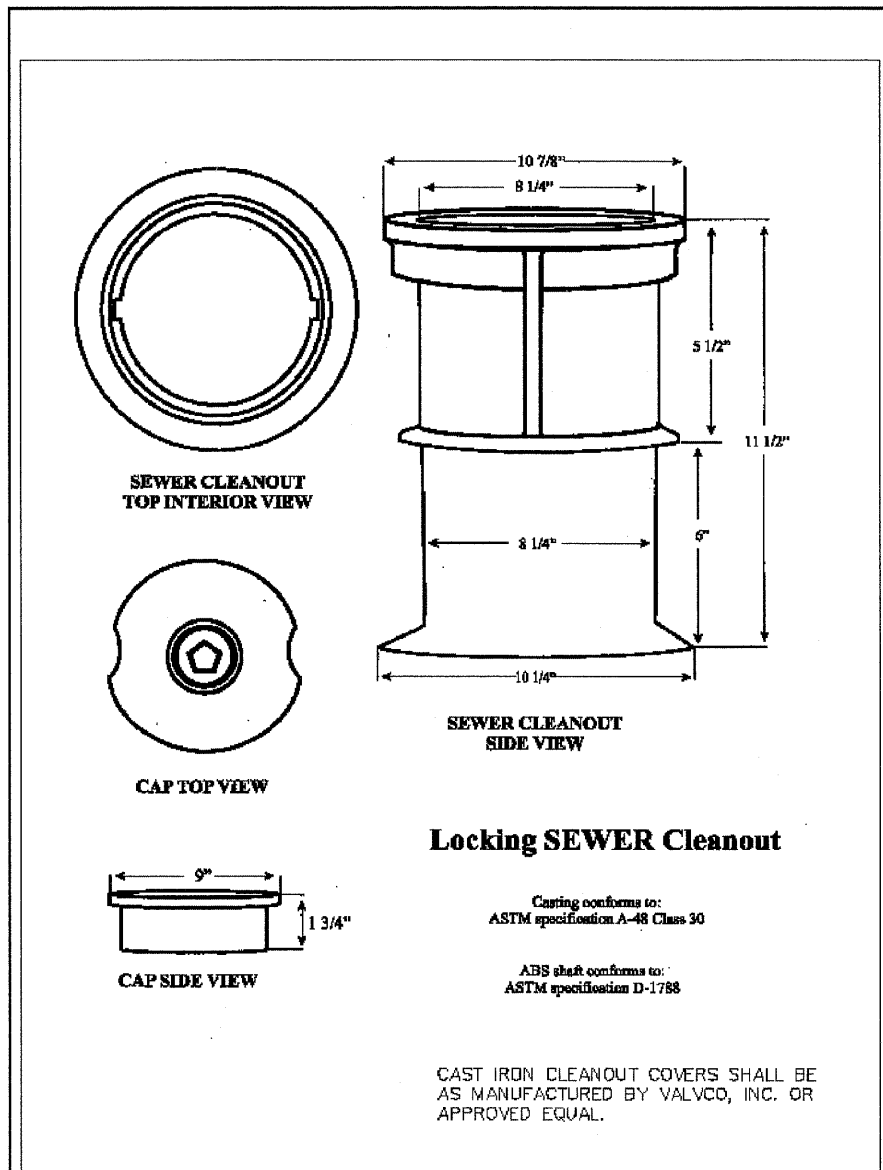
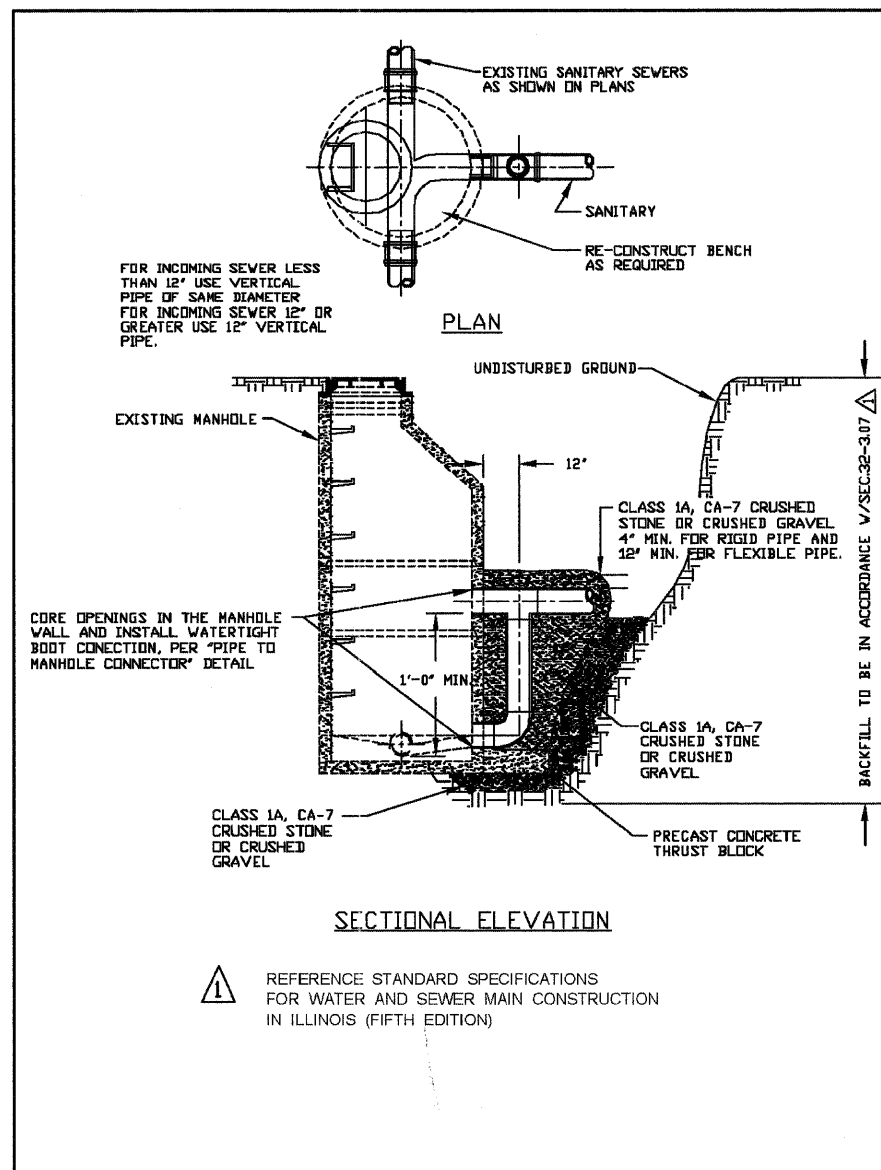


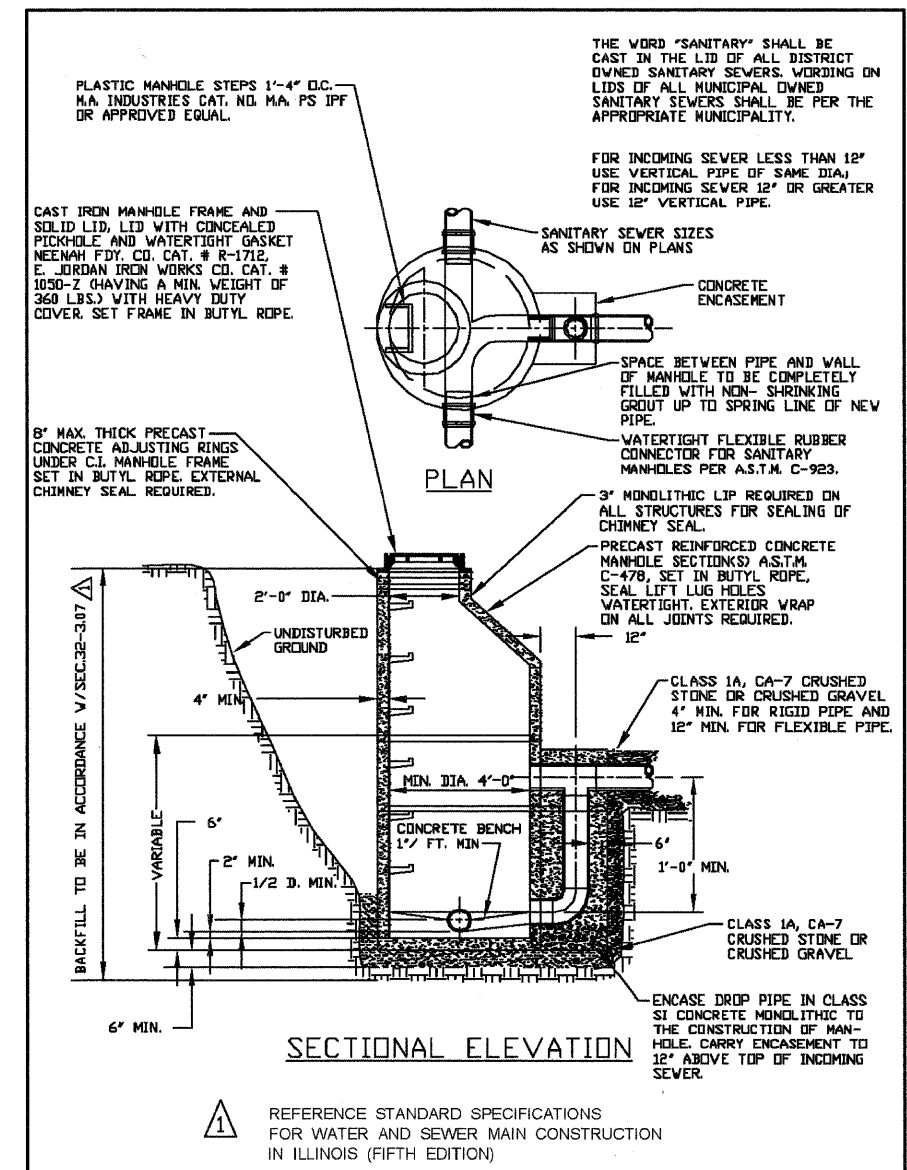
F.A.P. RTE.	SECTION	COUNTY	TOTAL SHEETS	SHEET NO.
326	(SCS,13C,108,109)R	KENDALL	931	482
STA.	TO STA.			
FED. ROAD DIST. NO.	ILLINOIS FED. AID PROJECT			



YORKVILLE-BRISTOL SANITARY DISTRICT	CAST IRON CLEANOUT COVER			
	DESIGNED JWF	APPROVED PFM	SCALE NTS	DATE 10/9/06
	DRAWN		STD-012	



YORKVILLE-BRISTOL SANITARY DISTRICT	DROP CONNECTION TO EXISTING MANHOLE			
	DESIGNED JWF	APPROVED PFM	SCALE NTS	DATE 10/9/06
	DRAWN		STD-008	



YORKVILLE-BRISTOL SANITARY DISTRICT	DROP MANHOLE/ NEW CONSTRUCTION			
	DESIGNED JWF	APPROVED PFM	SCALE NTS	DATE 10/9/06
	DRAWN		STD-007	

Note:

- These details have been provided by the Yorkville-Bristol Sanitary District (note dimensions are english units). A copy of the Yorkville-Bristol Sanitary District specifications, which are to be used for construction of the sanitary sewer work are included in the Special Provisions.

REVISIONS		ILLINOIS DEPARTMENT OF TRANSPORTATION
NAME	DATE	
		WATER AND SANITARY SEWER DETAILS  DRAWN BY _____ CHECKED BY _____ DATE _____

FILE: 481-485W&S details.dgn  
PLOTTED: 8/11/2011

HMG JOB NO. 5122