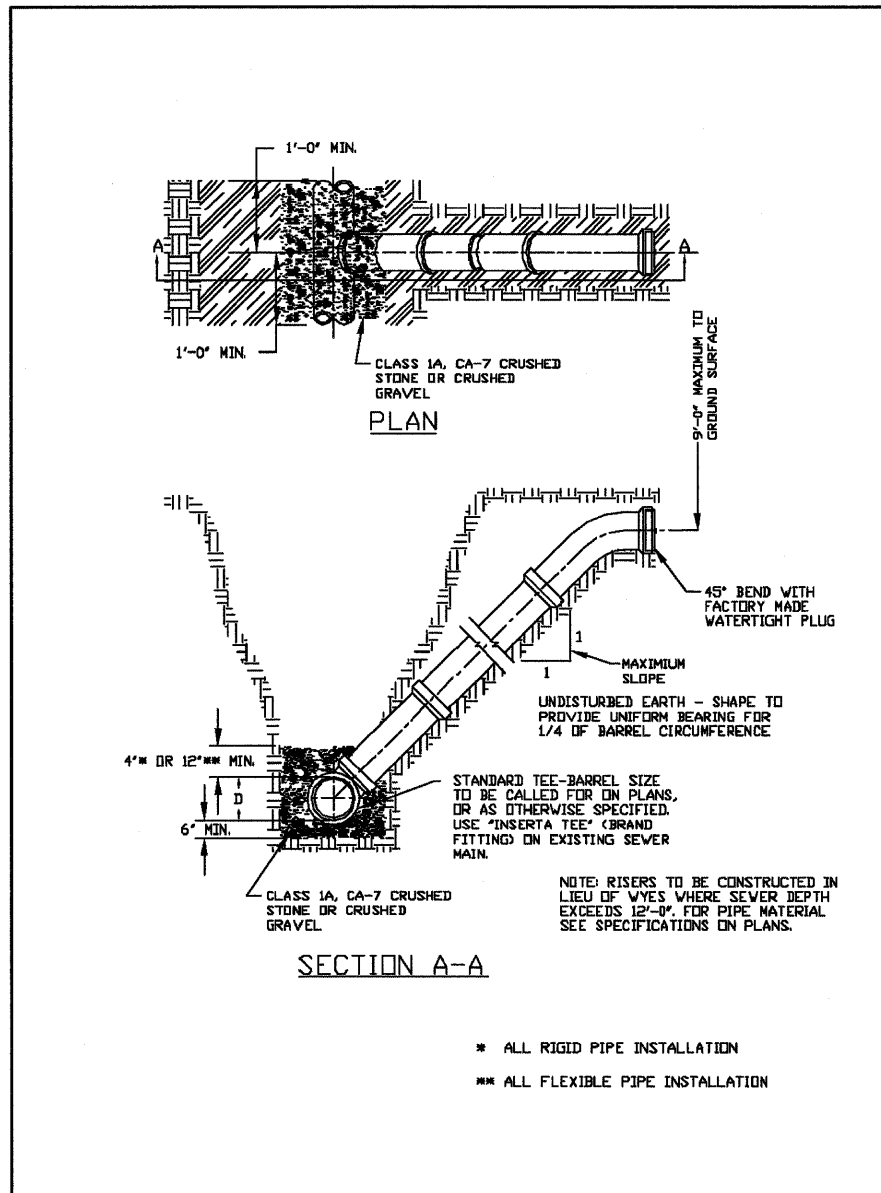


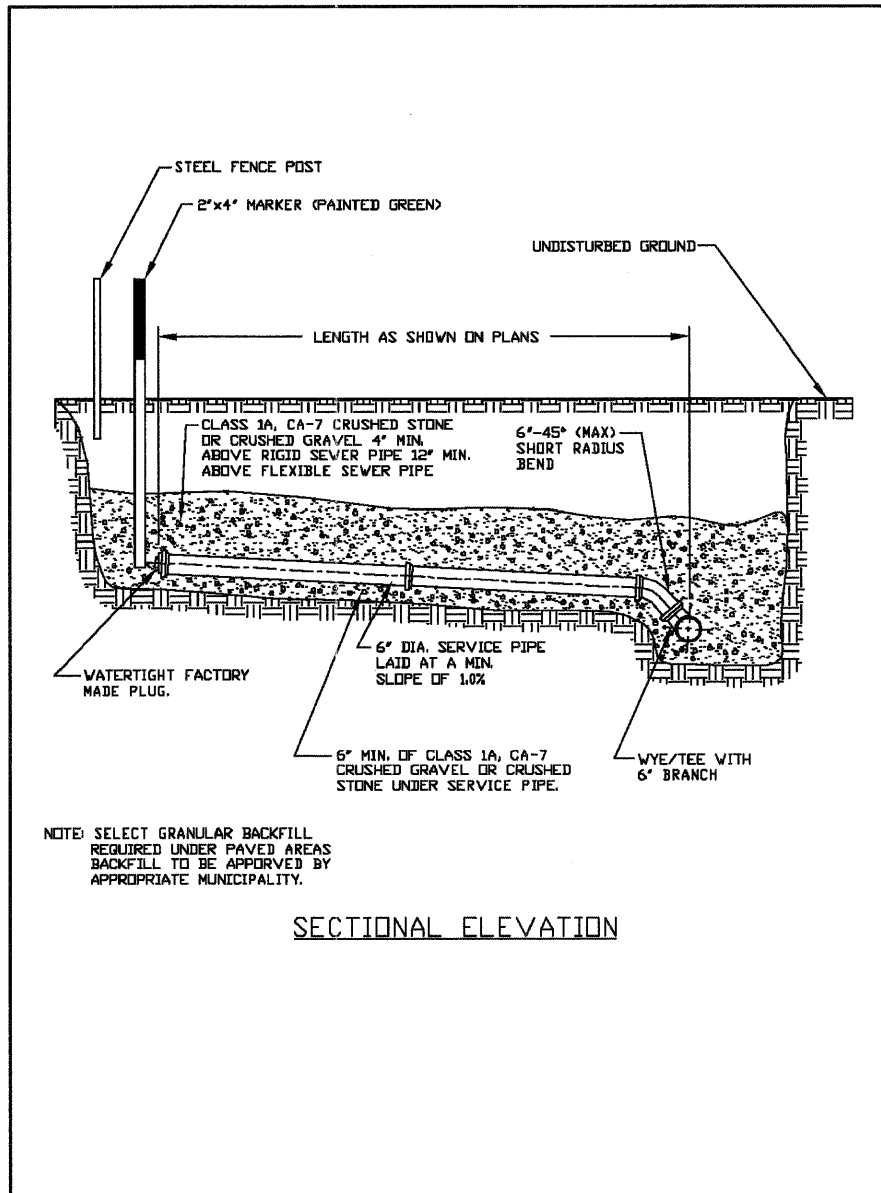
F.A.P. RTE.	SECTION	COUNTY	TOTAL SHEETS	SHEET NO.
326	(5CS,13C,108,109)R	KENDALL	931	485
STA.	TO STA.			
FED. ROAD DIST. NO.		ILLINOIS FED. AID PROJECT		



YORKVILLE-BRISTOL SANITARY DISTRICT

TYPICAL RISER FOR SERVICE LATERAL

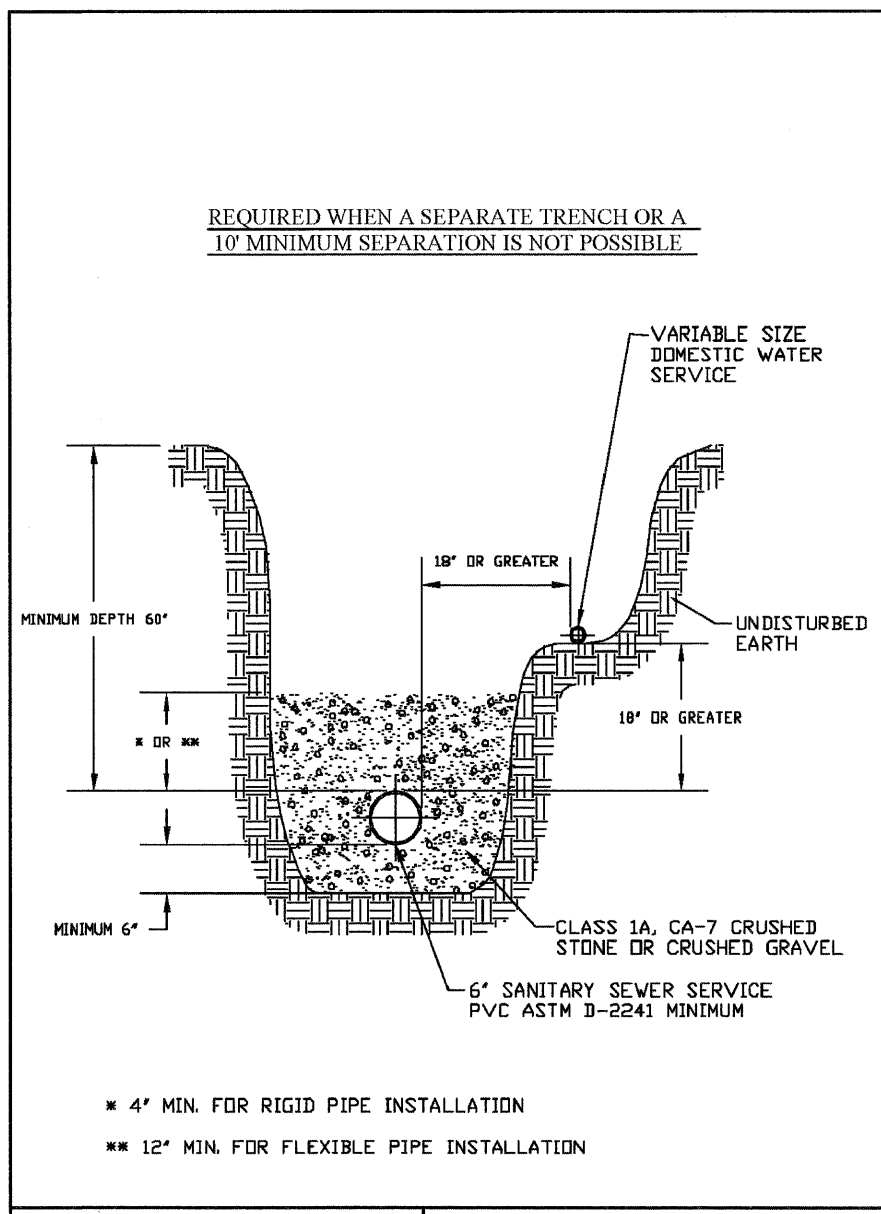
DESIGNED JWF	APPROVED PFM	SCALE NTS
DRAWN	DATE 10/9/06	STD-003



YORKVILLE-BRISTOL SANITARY DISTRICT

SERVICE CONNECTION

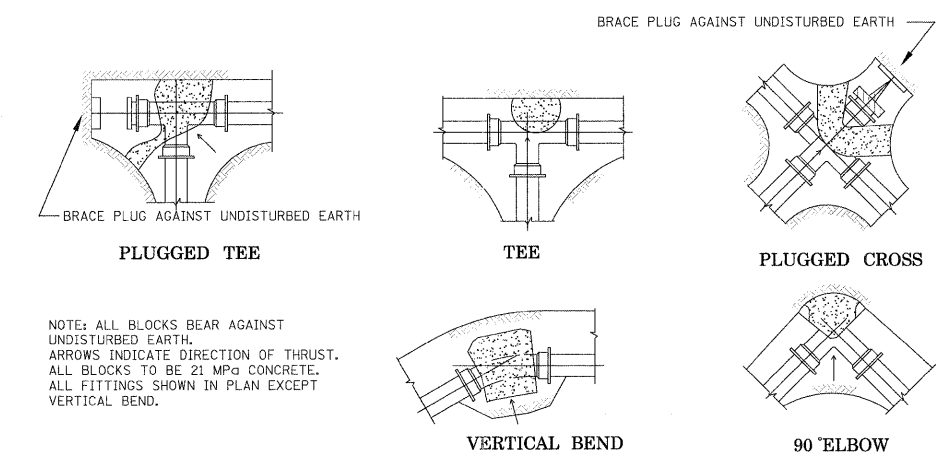
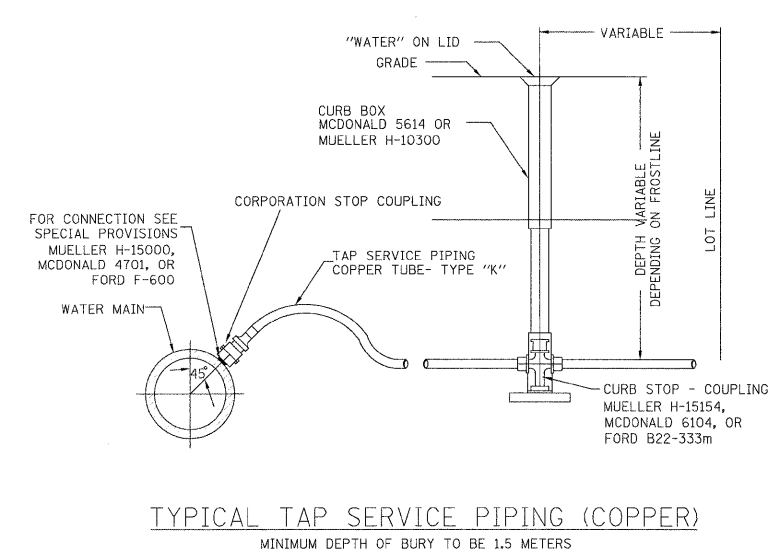
DESIGNED JWF	APPROVED PFM	SCALE NTS
DRAWN	DATE 10/9/06	STD-002



YORKVILLE-BRISTOL SANITARY DISTRICT

SANITARY SEWER SERVICE & POTABLE WATER SERVICE SEPARATION

DESIGNED JWF	APPROVED PFM	SCALE NTS
DRAWN	DATE 10/9/06	STD-010



Note:

1. These details have been provided by the Yorkville-Bristol Sanitary District (note dimensions are english units). A copy of the Yorkville-Bristol Sanitary District specifications, which are to be used for construction of the sanitary sewer work are included in the Special Provisions.

REVISIONS		ILLINOIS DEPARTMENT OF TRANSPORTATION
NAME	DATE	
		<p>WATER AND SANITARY SEWER DETAILS</p> <p>DATE</p> <p>DRAWN BY</p> <p>CHECKED BY</p>

FILE: 481-485M&S details.dgn
PLOTTED: 8/11/2011

HMG JOB NO. 5122