

F.A.P. RTE.	SECTION	COUNTY	TOTAL SHEETS	SHEET NO.
326	*	KENDALL	931	581
STA. N/A		TO STA. N/A		
FED. ROAD DIST. NO. 5 ILLINOIS FED. AID PROJECT				
*(5CS, 13C, 108, 109)R				

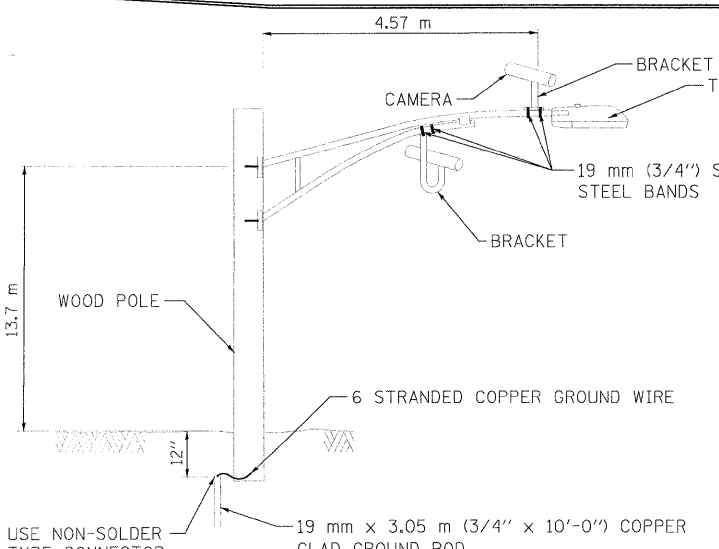
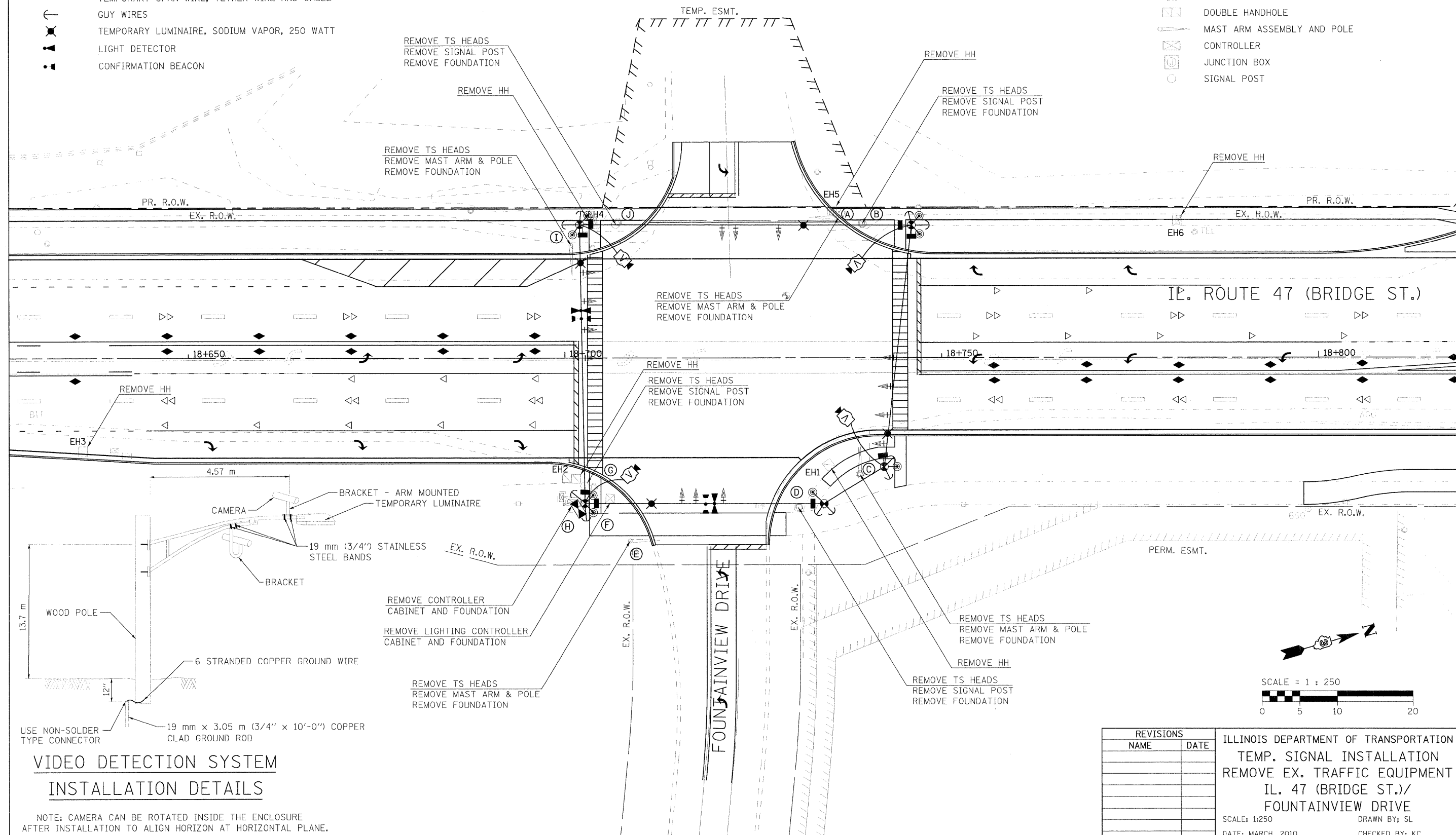
TEMPORARY TRAFFIC SIGNAL LEGEND

- TEMPORARY CONTROLLER AND CABINET
- TEMPORARY TRAFFIC SIGNAL HEAD WITH BACKPLATE
- TEMPORARY PEDESTRIAN PUSH-BUTTON
- TEMPORARY PED. SIGNAL HEAD, BRACKET MOUNTED
- VIDEO DETECTION SYSTEM
- TEMPORARY WOOD POLE (CLASS 5) 14 m MINIMUM
- TEMPORARY SPAN WIRE, TETHER WIRE AND CABLE
- GUY WIRES
- TEMPORARY LUMINAIRE, SODIUM VAPOR, 250 WATT
- LIGHT DETECTOR
- CONFIRMATION BEACON

WHERE POSSIBLE, TEMPORARY SPAN WIRES SHALL BE PLACED IN FRONT OF PERMANENT TRAFFIC SIGNALS. ALL WOOD POLE LOCATIONS SHALL BE APPROVED BY THE ENGINEER PRIOR TO PLACEMENT.

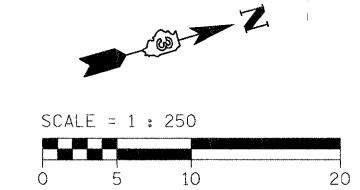
EXISTING SIGNAL LEGEND

- HANDHOLE
- DOUBLE HANDHOLE
- MAST ARM ASSEMBLY AND POLE
- CONTROLLER
- JUNCTION BOX
- SIGNAL POST



VIDEO DETECTION SYSTEM INSTALLATION DETAILS

NOTE: CAMERA CAN BE ROTATED INSIDE THE ENCLOSURE AFTER INSTALLATION TO ALIGN HORIZON AT HORIZONTAL PLANE.



REVISIONS	
NAME	DATE

ILLINOIS DEPARTMENT OF TRANSPORTATION
 TEMP. SIGNAL INSTALLATION
 REMOVE EX. TRAFFIC EQUIPMENT
 IL. 47 (BRIDGE ST.)/
 FOUNTAINVIEW DRIVE

SCALE: 1:250
 DATE: MARCH, 2010

DRAWN BY: SL
 CHECKED BY: KC

PLOT DATE = 8/11/2011
 FILE NAME = in:\5122\design\581-962fountainview_revised.dgn
 PLOT SCALE = 63500 mm IN.
 USER NAME = LUBENDESOR