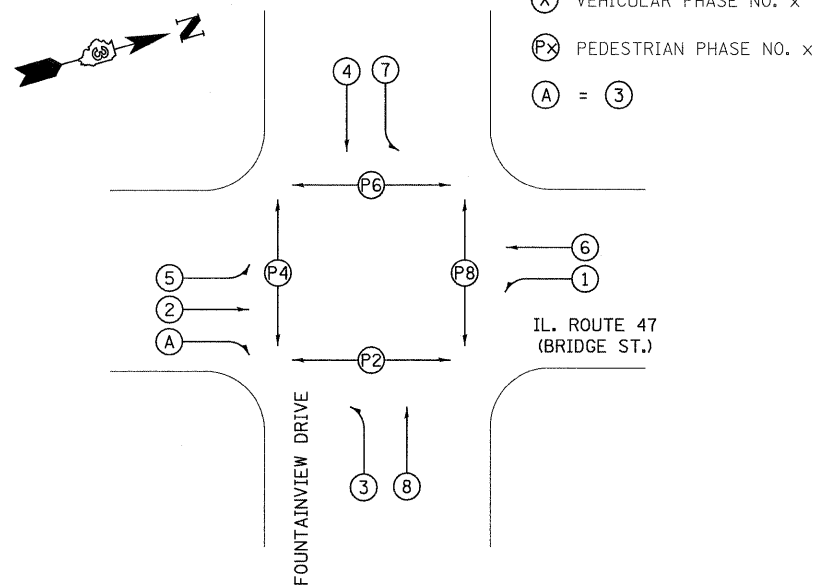


F.A.P. RTE.	SECTION	COUNTY	TOTAL SHEETS	SHEET NO.
326	*	KENDALL	931	582
STA. N/A		TO STA. N/A		
FED. ROAD DIST. NO. 5		ILLINOIS FED. AID PROJECT		

\*15CS, 13C, 108, 109R

**LEGEND**



**PHASE DESIGNATION DIAGRAM**

**REMOVE EXISTING TRAFFIC SIGNAL EQUIPMENT 1 EACH**

THE FOLLOWING TRAFFIC SIGNAL EQUIPMENT SHALL BE REMOVED AND REMAIN THE PROPERTY OF THE CONTRACTOR, IF IT IS NOT BEING USED FOR THE TEMPORARY TRAFFIC SIGNAL INSTALLATION.

4 EACH MAST ARM ASSEMBLY AND POLE

ALL REMAINING REMOVAL ITEMS EXCEPT AS SPECIFIED BELOW SHALL BE REMOVED AND DELIVERED BY THE CONTRACTOR TO THE CITY OF YORKVILLE, 610 TOWER LANE, YORKVILLE, IL.

THE FOLLOWING ITEMS SHALL BE REMOVED AND DISPOSED OF BY THE CONTRACTOR OFF THE RIGHT-OF-WAY. THE SALVAGE VALUE OF THIS EQUIPMENT SHALL BE REFLECTED IN THE UNIT BID PRICE OF REMOVE EXISTING TRAFFIC SIGNAL EQUIPMENT.

1 EACH SERVICE INSTALLATION  
ALL WIRES

**SCHEDULE OF REMOVAL ITEMS**

ITEM	LOCATION	UNIT	QUANTITIES
REMOVE EXISTING CONCRETE FOUNDATION	A, B, C, D, E, F, G, H, I, J	EACH	10
REMOVE EXISTING HANDHOLE	EH1, EH2, EH3, EH4, EH5, EH6	EACH	6

**TEMPORARY CABLE DIAGRAM LEGEND**

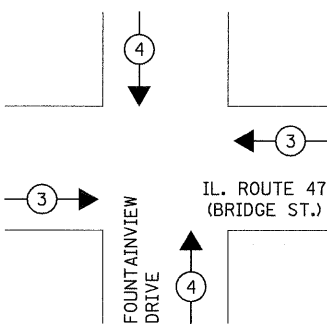
- TEMPORARY CONTROLLER
- TEMPORARY SERVICE INSTALLATION
- TEMPORARY TRAFFIC SIGNAL HEAD W/ BACKPLATE
- DENOTES NUMBER OF CONDUCTORS
- VIDEO DETECTION SYSTEM
- TEMPORARY PEDESTRIAN SIGNAL HEAD WITH COUNTDOWN DISPLAY
- TEMPORARY PEDESTRIAN PUSH BUTTON
- TEMPORARY LUMINAIRE, SODIUM VAPOR, 250 WATT
- LIGHT DETECTOR
- CONFIRMATION BEACON

- VIDEO CAMERA CABLE**  
6 PAIRS, TWISTED REQUIRED  
3 PAIRS CONDUCTOR FOR POWER - 24V AC (AC+, AC-, GND)  
1 PAIR DATA  
1 PAIR COMPOSITE VIDEO  
1 PAIR DETECTOR DATA

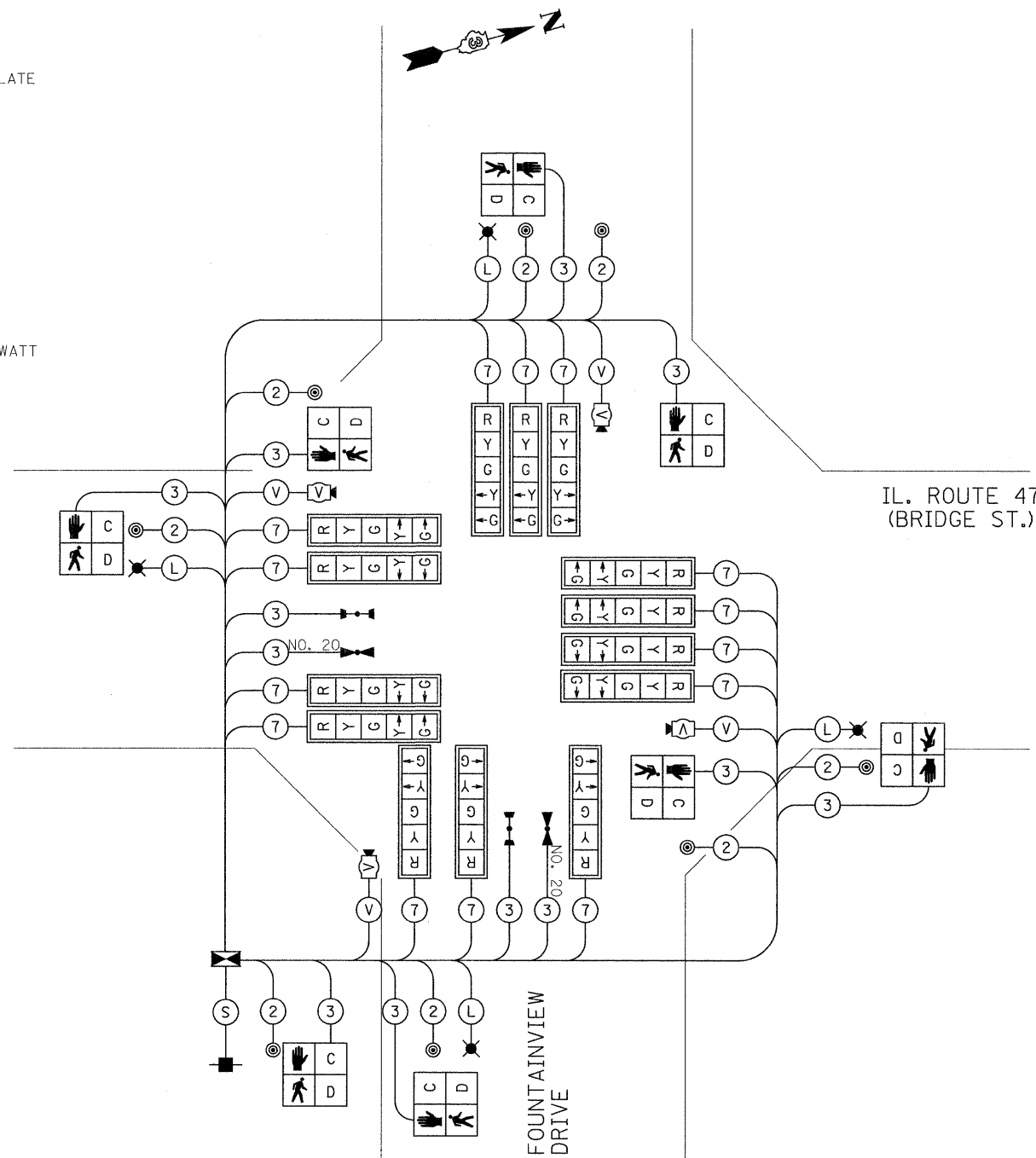
- SERVICE CABLE**  
ELECTRIC CABLE IN CONDUIT, SERVICE, NO.6 2C

- LIGHTING CABLE**  
600V (XLP-TYPE USE) 3 - 1/C NO.10

TEMPORARY EMERGENCY VEHICLE PREEMPTORS		
EMERGENCY VEHICLE PREEMPTOR	3	4
MOVEMENT	← →	↑ ↓



**EMERGENCY VEHICLE PREEMPTION SEQUENCE**



**TEMPORARY CABLE DIAGRAM**

REVISIONS	
NAME	DATE

ILLINOIS DEPARTMENT OF TRANSPORTATION  
**PROPOSED TEMPORARY CABLE DIAGRAM**  
 IL. 47 (BRIDGE ST.)//  
 FOUNTAINVIEW DRIVE  
 SCALE: NONE DRAWN BY: SL  
 DATE: MARCH, 2010 CHECKED BY: KC