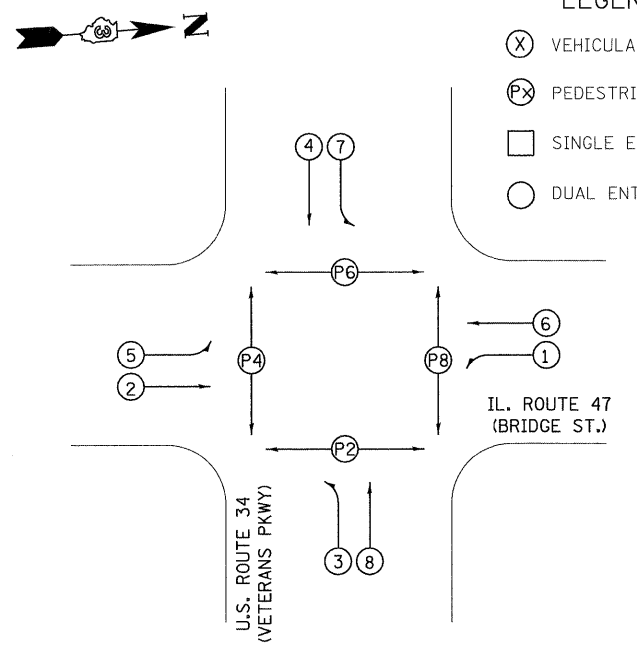


F.A.P. RTE.	SECTION	COUNTY	TOTAL SHEETS	SHEET NO.
326		KENDALL	931	612
STA. N/A		TO STA. N/A		
FED. ROAD DIST. NO. 5		ILLINOIS FED. AID PROJECT		

*15CS, 13C, 10B, 109JR

LEGEND

- (X) VEHICULAR PHASE NO. x
- (Px) PEDESTRIAN PHASE NO. x
- SINGLE ENTRY
- DUAL ENTRY



STAGE I

PHASE DESIGNATION DIAGRAM

REMOVE EXISTING TRAFFIC SIGNAL EQUIPMENT 1 EACH

THE FOLLOWING TRAFFIC SIGNAL EQUIPMENT SHALL BE REMOVED AND REMAIN THE PROPERTY OF THE CONTRACTOR, IF IT IS NOT BEING USED FOR THE TEMPORARY TRAFFIC SIGNAL INSTALLATION.

- 4 EACH MAST ARM ASSEMBLY AND POLE
- 15 EACH SIGNAL HEAD (NOTE: THE EXISTING IN-BOARD EASTBOUND 5-SECTION SIGNAL HEAD SHALL BE DELIVERED TO THE CITY)
- 4 EACH SIGNAL POST
- ALL PEDESTRIAN SIGNAL HEADS AND NON-CONFORMING PUSH-BUTTONS

ALL REMAINING REMOVAL ITEMS EXCEPT AS SPECIFIED BELOW SHALL BE REMOVED AND DELIVERED BY THE CONTRACTOR TO THE CITY OF YORKVILLE, 610 TOWER LANE, YORKVILLE, IL.

THE FOLLOWING ITEMS SHALL BE REMOVED AND DISPOSED OF BY THE CONTRACTOR OFF THE RIGHT-OF-WAY. THE SALVAGE VALUE OF THIS EQUIPMENT SHALL BE REFLECTED IN THE UNIT BID PRICE OF REMOVE EXISTING TRAFFIC SIGNAL EQUIPMENT.

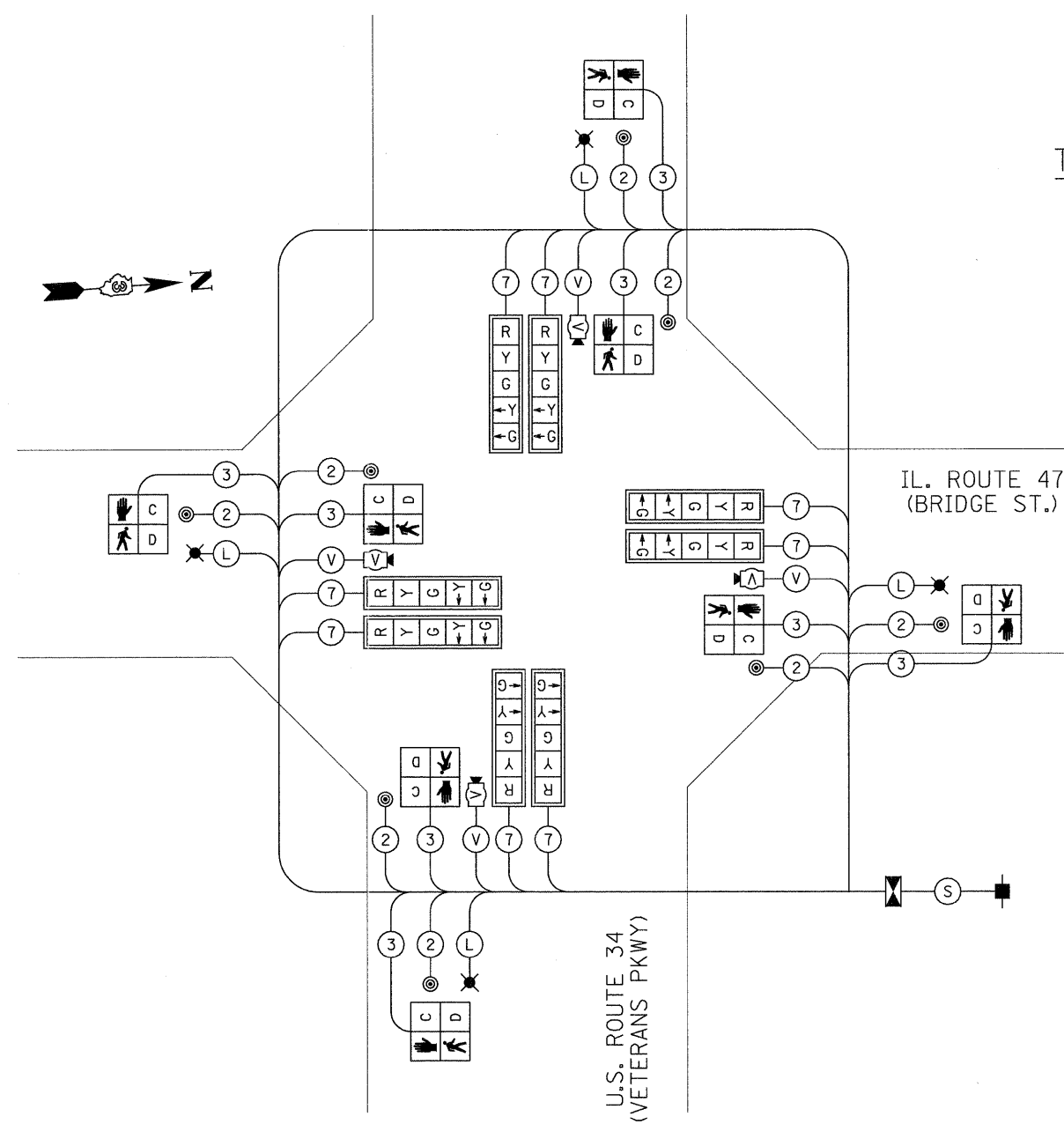
- 1 EACH SERVICE INSTALLATION
- ALL WIRES

SCHEDULE OF REMOVAL ITEMS

ITEM	LOCATION	UNIT	QUANTITIES
REMOVE EXISTING CONCRETE FOUNDATION	A, B, C, D E, F, G, H, I	EACH	9
REMOVE EXISTING HANDHOLE	EH1, EH2, EH3, EH4, EH5, EH6 EH7, EH8, EH9, EH10, EH11, EH12	EACH	12

TEMPORARY CABLE DIAGRAM LEGEND

- ☒ TEMPORARY CONTROLLER
- ☒ TEMPORARY SERVICE INSTALLATION
- [R
Y
G] TEMPORARY TRAFFIC SIGNAL HEAD W/ BACKPLATE
- DENOTES NUMBER OF CONDUCTORS
- V VIDEO DETECTION SYSTEM
- [C
D] TEMPORARY PEDESTRIAN SIGNAL HEAD WITH COUNTDOWN DISPLAY
- ⊙ TEMPORARY PEDESTRIAN PUSH BUTTON
- ☒ TEMPORARY LUMINAIRE, SODIUM VAPOR, 400 WATT



STAGE I

TEMPORARY CABLE DIAGRAM

- (V) VIDEO CAMERA CABLE
6 PAIRS, TWISTED REQUIRED
3 PAIRS CONDUCTOR FOR POWER - 24V AC (AC+, AC-, GND)
1 PAIR DATA
1 PAIR COMPOSITE VIDEO
1 PAIR DETECTOR DATA
OVERALL SHIELD
MINIMUM 16AWG (PAIRS)
(TO BE INCLUDED IN THE BID PRICE FOR TEMPORARY TRAFFIC SIGNAL INSTALLATION)
- (S) SERVICE CABLE
ELECTRIC CABLE IN CONDUIT, SERVICE, NO.6 2C
- (L) LIGHTING CABLE
600V (XLP-TYPE USE) 3 - 1/2 NO.10

REVISIONS		NAME	DATE
NO.	DESCRIPTION		

ILLINOIS DEPARTMENT OF TRANSPORTATION
 PROPOSED TEMPORARY CABLE DIAGRAM, STAGE I
 IL. 47 (BRIDGE ST.)/
 U.S. 34 (VETERANS PKWY)
 SCALE: NONE DRAWN BY: SL
 DATE: MARCH, 2010 CHECKED BY: KC

PLOT DATE = 8/11/2011
 FILE NAME = h:\5122\design\611-613\134_rem.dgn
 PLOT SCALE = 6.3500 in / in
 USER NAME = _USERDESCH_