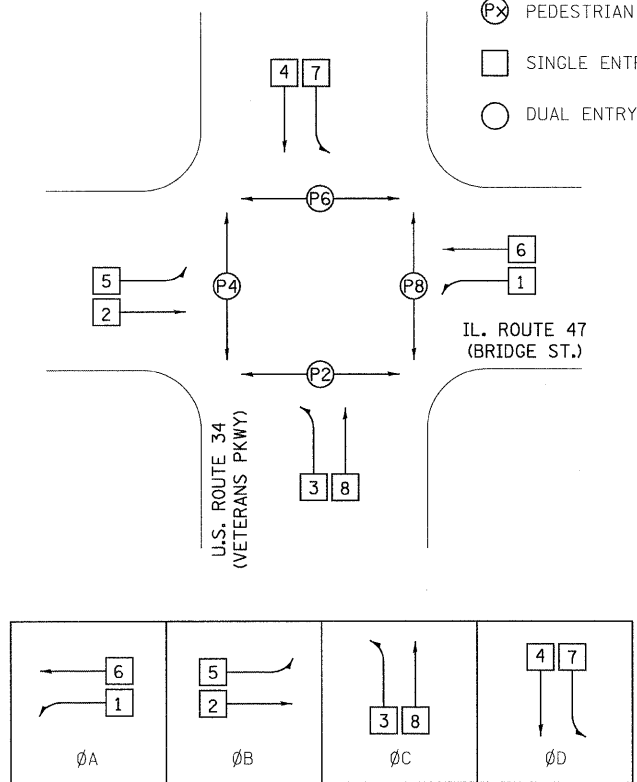


F.A.P. RTE.	SECTION	COUNTY	TOTAL SHEETS	SHEET NO.
326	*	KENDALL	931	613
STA. N/A		TO STA. N/A		
FED. ROAD DIST. NO. 5 ILLINOIS FED. AID PROJECT				

LEGEND

- (X) VEHICULAR PHASE NO. x
- (Px) PEDESTRIAN PHASE NO. x
- SINGLE ENTRY
- DUAL ENTRY

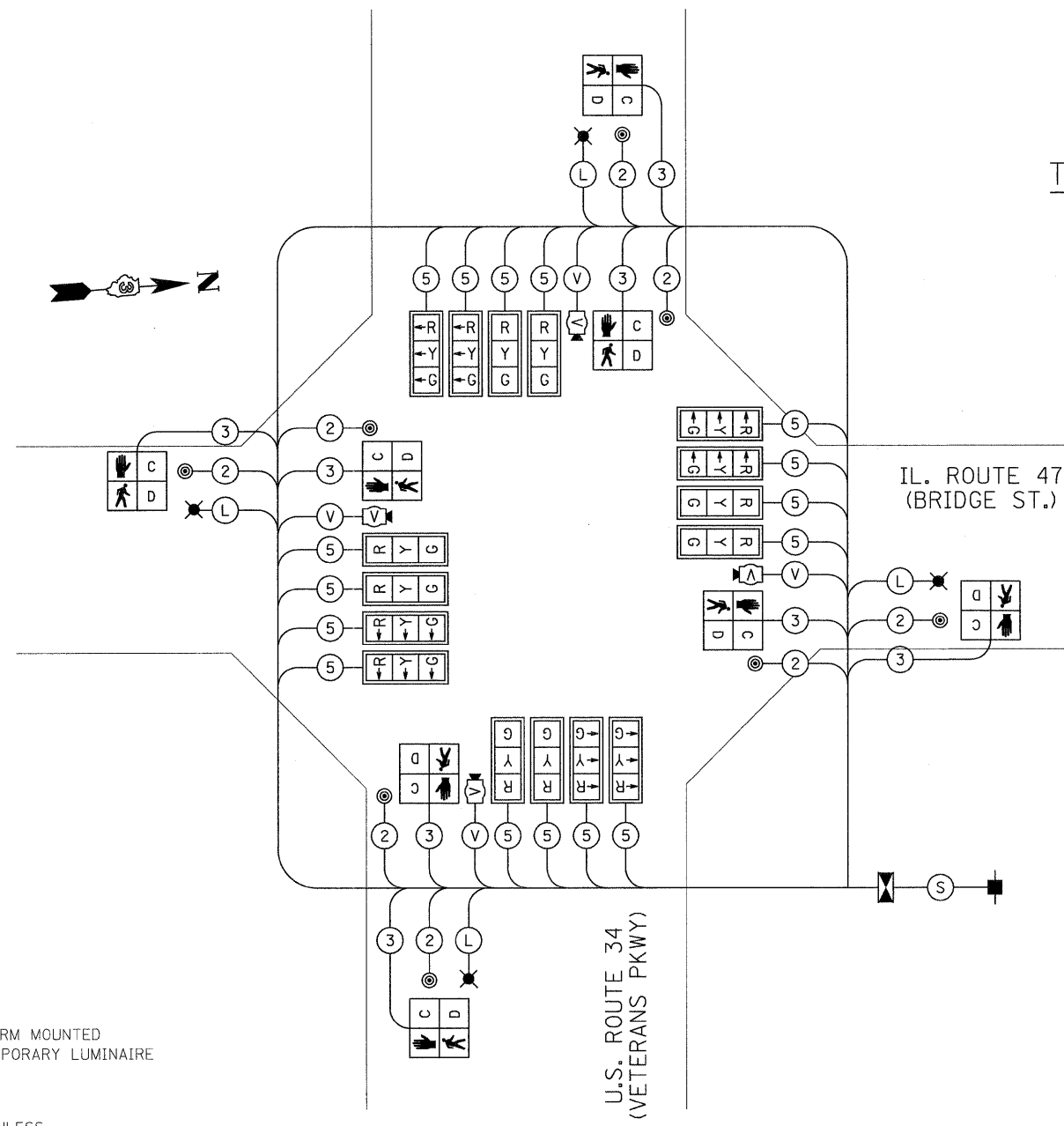


STAGE II

PHASE DESIGNATION DIAGRAM

TEMPORARY CABLE DIAGRAM LEGEND

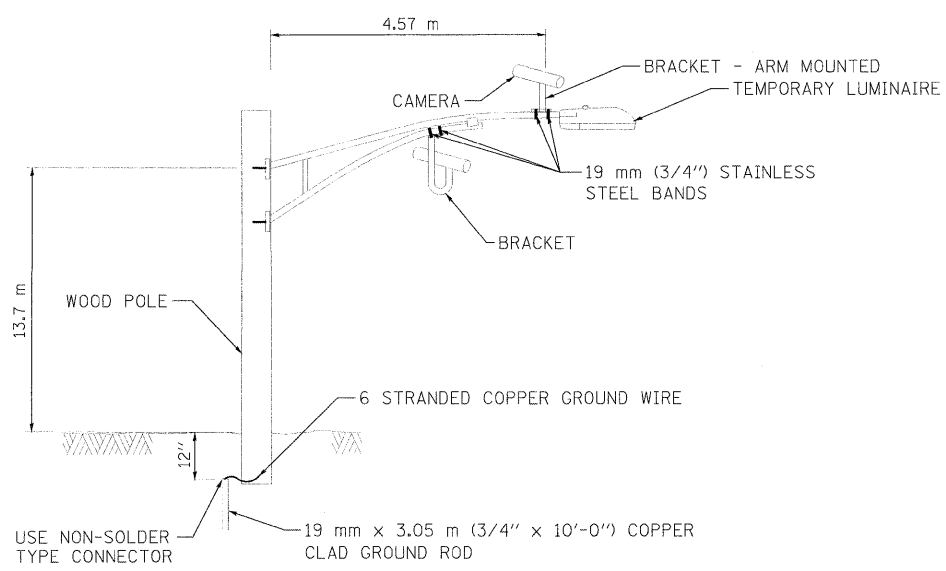
- ⊠ TEMPORARY CONTROLLER
- TEMPORARY SERVICE INSTALLATION
- ⎓ TEMPORARY TRAFFIC SIGNAL HEAD W/ BACKPLATE
- DENOTES NUMBER OF CONDUCTORS
- V VIDEO DETECTION SYSTEM
- ⎓ C D TEMPORARY PEDESTRIAN SIGNAL HEAD WITH COUNTDOWN DISPLAY
- ⊙ TEMPORARY PEDESTRIAN PUSH BUTTON
- ⊠ TEMPORARY LUMINAIRE, SODIUM VAPOR, 400 WATT



STAGE II

TEMPORARY CABLE DIAGRAM

- (V) VIDEO CAMERA CABLE
6 PAIRS, TWISTED REQUIRED
3 PAIRS CONDUCTOR FOR POWER - 24V AC (AC+, AC-, GND)
1 PAIR DATA
1 PAIR COMPOSITE VIDEO
1 PAIR DETECTOR DATA
OVERALL SHIELD MINIMUM 16AWG (PAIRS) (TO BE INCLUDED IN THE BID PRICE FOR VEHICLE VIDEO DETECTION SYSTEM)
- (S) SERVICE CABLE
ELECTRIC CABLE IN CONDUIT, SERVICE, NO.6 2C
- (L) LIGHTING CABLE
600V (XLP-TYPE USE) 3 - 1/C NO.10



VIDEO DETECTION SYSTEM
INSTALLATION DETAILS

NOTE: CAMERA CAN BE ROTATED INSIDE THE ENCLOSURE AFTER INSTALLATION TO ALIGN HORIZON AT HORIZONTAL PLANE.

REVISIONS		ILLINOIS DEPARTMENT OF TRANSPORTATION PROPOSED TEMPORARY CABLE DIAGRAM, STAGE II IL. 47 (BRIDGE ST.)/ U.S. 34 (VETERANS PKWY)
NAME	DATE	
		SCALE: NONE DATE: MARCH, 2010

DRAWN BY: SL
CHECKED BY: KC

PLOT DATE = 8/11/2011
 FILE NAME = H:\5122\design\611-613134_remdgn
 PLOT SCALE = 635000 m / IN.
 USER NAME = JOSEPHDESOL.