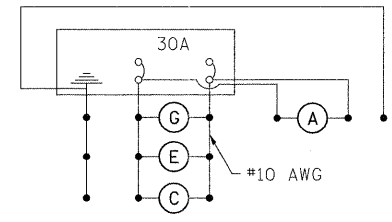
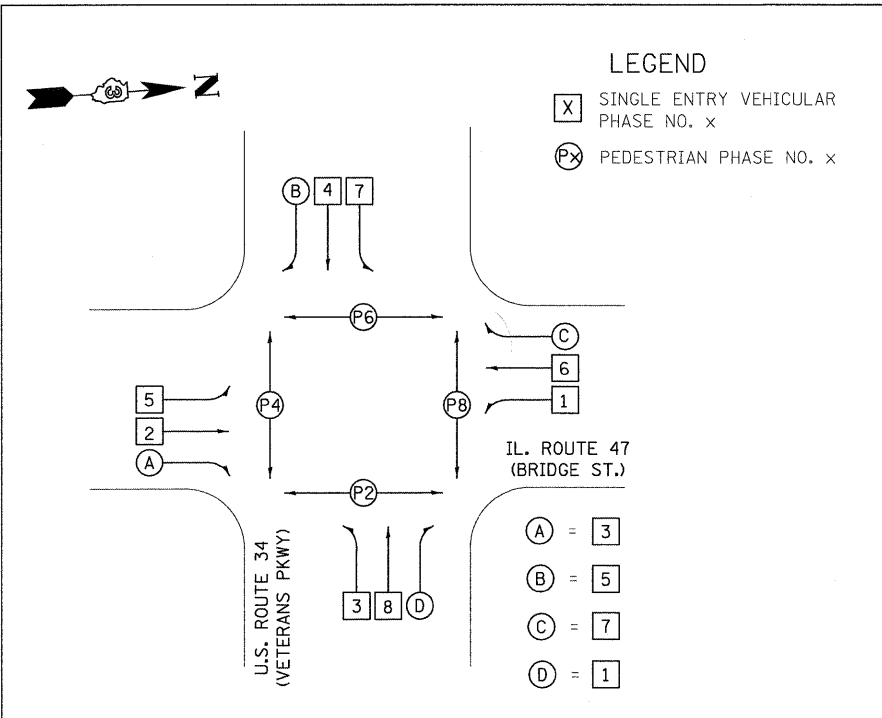


F.A.P. RTE.	SECTION	COUNTY	TOTAL SHEETS	SHEET NO.
326	*	KENDALL	931	616
STA. N/A		TO STA. N/A		
FED. ROAD DIST. NO. 5 ILLINOIS FED. AID PROJECT				

\*5CS, 13C, 108, 109R

SCHEDULE OF QUANTITIES

DESCRIPTION	UNIT	QUANTITY
SERVICE INSTALLATION - GROUND MOUNTED	EACH	2
HANDHOLE, PORTLAND CEMENT CONCRETE	EACH	7
DOUBLE HANDHOLE, PORTLAND CEMENT CONCRETE	EACH	1
LUMINAIRE, SODIUM VAPOR, HOR. MOUNT, 400 WATT	EACH	4
FULL-ACTUATED CONTROLLER AND TYPE V CABINET, SPECIAL	EACH	1
UNINTERRUPTABLE POWER SUPPLY, EXTENDED	EACH	1
TRANSCEIVER - FIBER OPTIC	EACH	1
SIGNAL HEAD, POLYCARBONATE, LED, 1-FACE, 3-SECTION, BRACKET MOUNTED	EACH	4
SIGNAL HEAD, POLYCARBONATE, LED, 1-FACE, 3-SECTION, MAST ARM MOUNTED	EACH	16
SIGNAL HEAD, POLYCARBONATE, LED, 1-FACE, 5-SECTION, BRACKET MOUNTED	EACH	8
PEDESTRIAN SIGNAL HEAD, POLYCARBONATE, LED, 1-FACE, BRACKET MOUNTED WITH COUNTDOWN TIMER	EACH	8
TRAFFIC SIGNAL BACKPLATE, LOUVERED, FORMED PLASTIC	EACH	28
INDUCTIVE LOOP DETECTOR	EACH	28
LIGHT DETECTOR	EACH	4
LIGHT DETECTOR AMPLIFIER	EACH	1
PEDESTRIAN PUSH-BUTTON	EACH	16
TEMPORARY TRAFFIC SIGNAL INSTALLATION	EACH	1
REMOVE EXISTING TRAFFIC SIGNAL EQUIPMENT	EACH	1
REMOVE EXISTING HANDHOLE	EACH	12
REMOVE EXISTING CONCRETE FOUNDATION	EACH	9
SIGN PANEL - TYPE 1	SQ M	1.1
SIGN PANEL - TYPE 2	SQ M	5.4
CONDUIT IN TRENCH 25mm DIA., PVC	METER	374
CONDUIT IN TRENCH 30mm DIA., PVC	METER	29
CONDUIT IN TRENCH 50mm DIA., PVC	METER	232
CONDUIT IN TRENCH 65mm DIA., PVC	METER	3
CONDUIT IN TRENCH 75mm DIA., PVC	METER	9
CONDUIT IN TRENCH 100mm DIA., PVC	METER	80
CONDUIT PUSHED, 50mm DIA., GALVANIZED STEEL	METER	82
CONDUIT PUSHED, 75mm DIA., GALVANIZED STEEL	METER	57
CONDUIT PUSHED, 100mm DIA., GALVANIZED STEEL	METER	138
ELECTRIC CABLE IN CONDUIT, 600V (XLP-TYPE USE) 1/C NO. 10	METER	906
ELECTRIC CABLE IN CONDUIT, 600V (XLP-TYPE USE) 1/C NO. 6	METER	1731
TRENCH AND BACKFILL FOR ELECTRICAL WORK	METER	727
ELECTRIC CABLE IN CONDUIT, SIGNAL NO. 14 2C	METER	1220
ELECTRIC CABLE IN CONDUIT, SIGNAL NO. 14 3C	METER	660
ELECTRIC CABLE IN CONDUIT, SIGNAL NO. 14 5C	METER	1894
ELECTRIC CABLE IN CONDUIT, SIGNAL NO. 14 7C	METER	644
ELECTRIC CABLE IN CONDUIT, LEAD-IN, NO. 14, 1-PAIR	METER	4522
ELECTRIC CABLE IN CONDUIT, SERVICE, NO. 6 2 C	METER	12
TRAFFIC SIGNAL POST, GALVANIZED STEEL 4.85 METER	EACH	5
PEDESTRIAN PUSH-BUTTON POST, GALVANIZED STEEL, TYPE I	EACH	3
STEEL COMBINATION MAST ARM ASSEMBLY AND POLE 21.34 METER	EACH	1
STEEL COMBINATION MAST ARM ASSEMBLY AND POLE 22.86 METER	EACH	3
CONCRETE FOUNDATION, TYPE A	METER	8.0
CONCRETE FOUNDATION, TYPE C (SPECIAL)	METER	1.1
CONCRETE FOUNDATION, TYPE E 1060mm DIAMETER	METER	30.4
DETECTOR LOOP, TYPE 1	METER	1627
ELECTRIC CABLE IN CONDUIT NO. 20, 3/C, TWISTED, SHIELDED	METER	1060
LIGHTING CONTROLLER, SPECIAL	EACH	1

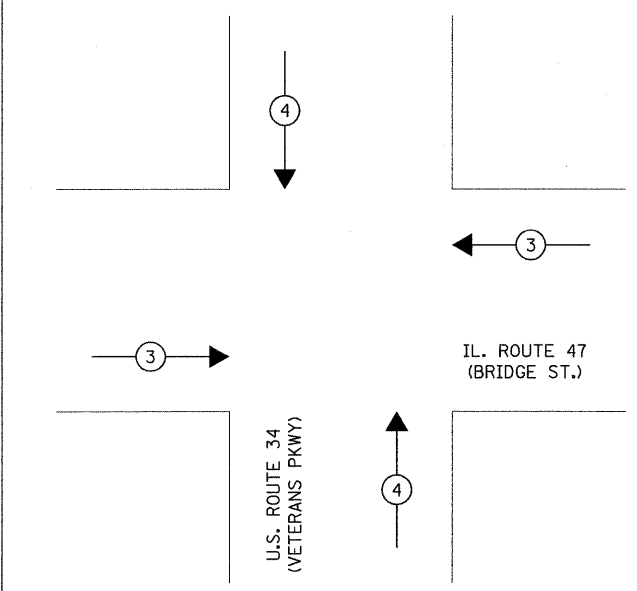


LIGHTING CIRCUIT DIAGRAM

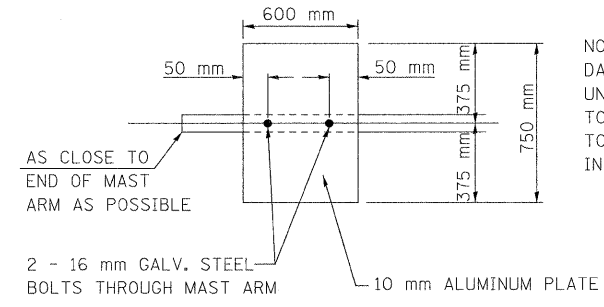
AGENCY RESPONSIBLE FOR ENERGY CHARGES:  
CITY OF YORKVILLE  
CONTRACTOR PAYS ALL ENERGY CHARGES  
UNTIL PROJECT IS ACCEPTED

NOTIFY THE TRAFFIC SIGNAL SECTION AT (815) 434-8506  
72 HOURS IN ADVANCE TO REDESIGN THE DETECTOR  
LOOPS, IF POSSIBLE, TO AVOID CONSTRUCTION JOINTS.

EMERGENCY VEHICLE PREEMPTION SEQUENCE



PROPOSED EMERGENCY VEHICLE PREEMPTORS		
EMERGENCY VEHICLE PREEMPTOR	3	4
MOVEMENT	← →	↓ ↑



NOTE:  
DAMPENING DEVICE SHALL CONSIST OF A 600mm X 750mm TYPE 1,  
UNPAINTED ALUMINUM SIGN STOCK MOUNTED HORIZONTALLY ON  
TOP OF MAST ARM WITH THE 750mm LENGTH PERPENDICULAR  
TO THE ARM. COST OF THE DAMPENING DEVICE IS INCLUDED  
IN THE MAST ARM PAY ITEM.

REVISIONS	
NAME	DATE

ILLINOIS DEPARTMENT OF TRANSPORTATION  
PHASE DIAGRAM, CABLE DIAGRAM  
SCHEDULE OF QUANTITIES  
IL. 47 (BRIDGE ST.)/  
U.S. 34 (VETERANS PKWY)  
SCALE: NONE DRAWN BY: SL  
DATE: MARCH, 2010 CHECKED BY: KC

PLOT DATE = 8/11/2011  
FILE NAME = n:\3122\design\615-616\134\_cable.dgn  
PLOT SCALE = 63960 IN / IN  
USER NAME = JGERDESOL