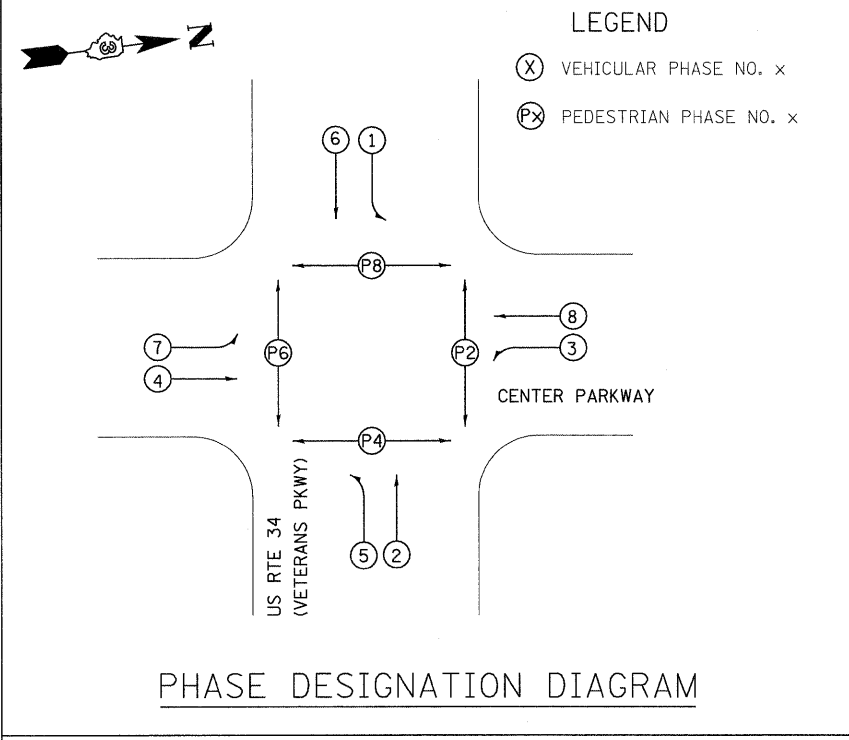


F.A.P. RTE.	SECTION	COUNTY	TOTAL SHEETS	SHEET NO.
326	*	KENDALL	931	624
STA. N/A		TO STA. N/A		
FED. ROAD DIST. NO. 5		ILLINOIS FED. AID PROJECT		

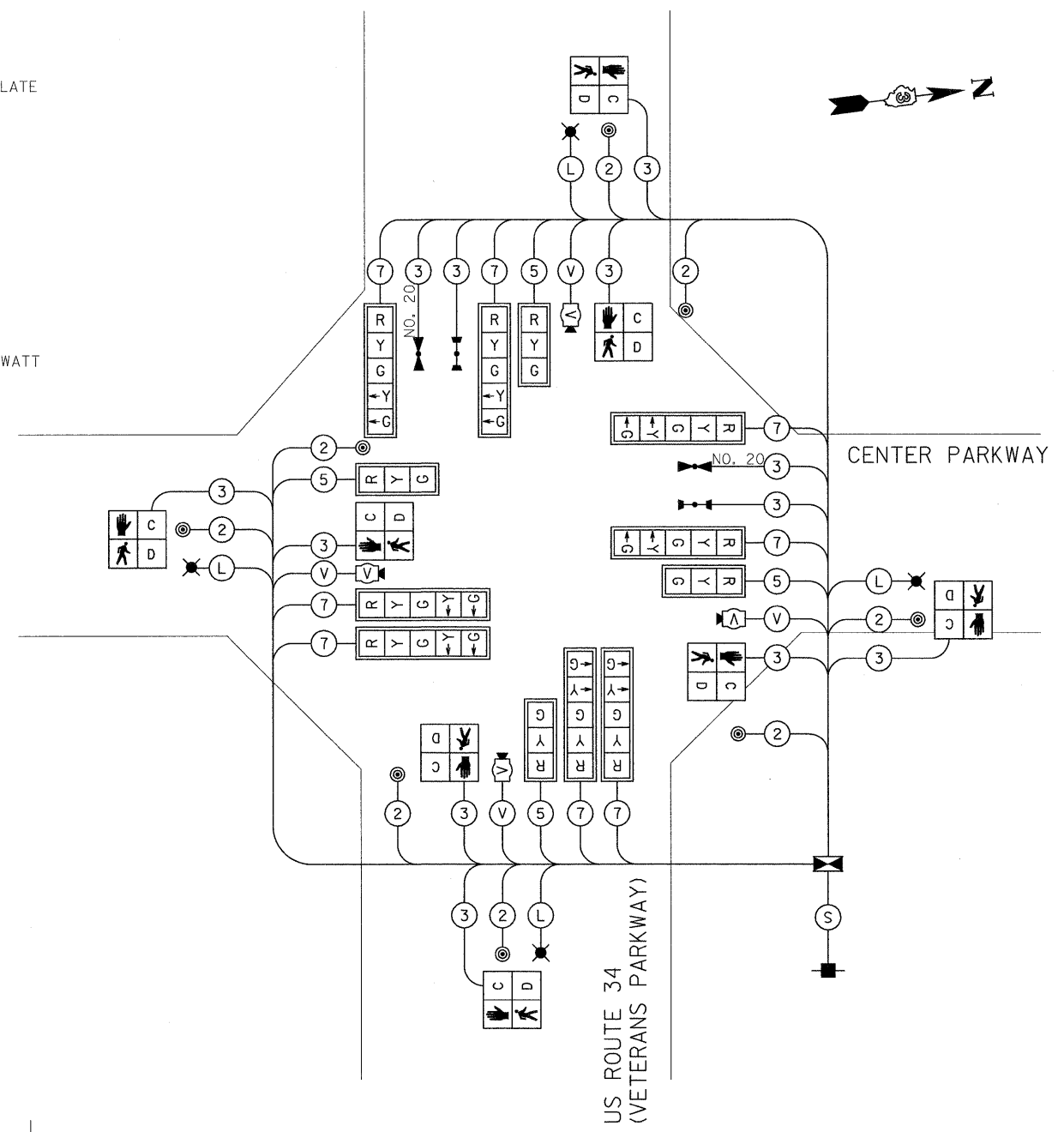
\*15CS, 13C, 10B, 1091R



**TEMPORARY CABLE DIAGRAM LEGEND**

- ☒ TEMPORARY CONTROLLER
- TEMPORARY SERVICE INSTALLATION
- RYG TEMPORARY TRAFFIC SIGNAL HEAD W/ BACKPLATE
- DENOTES NUMBER OF CONDUCTORS
- V VIDEO DETECTION SYSTEM
- CD TEMPORARY PEDESTRIAN SIGNAL HEAD WITH COUNTDOWN DISPLAY
- ⊙ TEMPORARY PEDESTRIAN PUSH BUTTON
- ☼ TEMPORARY LUMINAIRE, SODIUM VAPOR, 250 WATT
- ☼ LIGHT DETECTOR
- ☼ CONFIRMATION BEACON

- V VIDEO CAMERA CABLE  
6 PAIRS, TWISTED REQUIRED  
3 PAIRS CONDUCTOR FOR POWER - 24V AC (AC+, AC-, GND)  
1 PAIR DATA  
1 PAIR COMPOSITE VIDEO  
1 PAIR DETECTOR DATA  
OVERALL SHIELD MINIMUM 16AWG (PAIRS) (TO BE INCLUDED IN THE BID PRICE FOR VEHICLE VIDEO DETECTION SYSTEM)
- S SERVICE CABLE  
ELECTRIC CABLE IN CONDUIT, SERVICE, NO.6 2C
- L LIGHTING CABLE  
600V (XLP-TYPE USE) 3 - 1/C NO.10



**REMOVE EXISTING TRAFFIC SIGNAL EQUIPMENT 1 EACH**

THE FOLLOWING TRAFFIC SIGNAL EQUIPMENT SHALL BE REMOVED AND REMAIN THE PROPERTY OF THE CONTRACTOR, IF IT IS NOT BEING USED FOR THE TEMPORARY TRAFFIC SIGNAL INSTALLATION.

- 4 EACH MAST ARM ASSEMBLY AND POLE
- 4 EACH SIGNAL POST
- 12 EACH SIGNAL HEAD
- ALL PEDESTRIAN SIGNAL HEADS AND NON-CONFORMING PUSH-BUTTONS

ALL REMAINING REMOVAL ITEMS EXCEPT AS SPECIFIED BELOW SHALL BE REMOVED AND DELIVERED BY THE CONTRACTOR TO THE CITY OF YORKVILLE, 610 TOWER LANE, YORKVILLE, IL.

THE FOLLOWING ITEMS SHALL BE REMOVED AND DISPOSED OF BY THE CONTRACTOR OFF THE RIGHT-OF-WAY. THE SALVAGE VALUE OF THIS EQUIPMENT SHALL BE REFLECTED IN THE UNIT BID PRICE OF REMOVE EXISTING TRAFFIC SIGNAL EQUIPMENT.

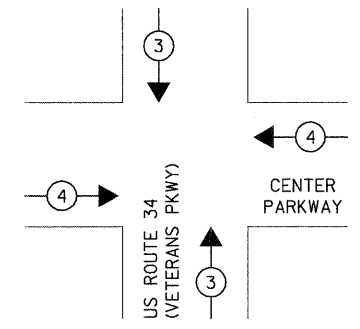
- 1 EACH SERVICE INSTALLATION
- ALL WIRES

**SCHEDULE OF REMOVAL ITEMS**

ITEM	LOCATION	UNIT	QUANTITIES
REMOVE EXISTING CONCRETE FOUNDATION	A, B, C, D, E, F, G, H, I	EACH	9
REMOVE EXISTING HANDHOLE	EH1, EH2	EACH	2

**TEMPORARY EMERGENCY VEHICLE PREEMPTORS**

EMERGENCY VEHICLE PREEMPTOR	3	4
MOVEMENT	↑ ↓	← →



**REVISIONS**

NAME	DATE

ILLINOIS DEPARTMENT OF TRANSPORTATION  
**PROPOSED TEMPORARY CABLE DIAGRAM**  
 US ROUTE 34 (VETERANS PKWY)/ CENTER PARKWAY

SCALE: NONE  
 DATE: MARCH, 2010

DRAWN BY: SL  
 CHECKED BY: KC

PLOT DATE = 8/11/2011  
 FILE NAME = h:\5152\design\623-624\center parkway\_rem.dgn  
 PLOT SCALE = 6.3500 in / 1 in.  
 USER NAME = JOSEPHESOR.