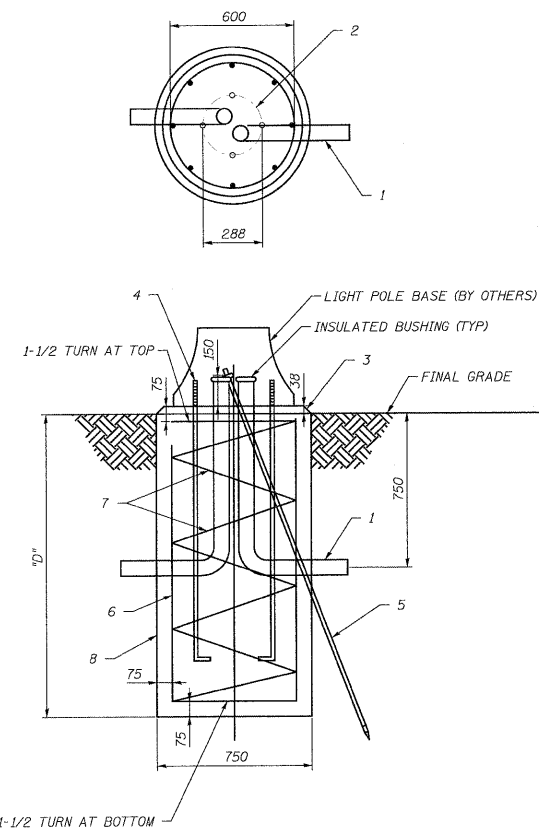
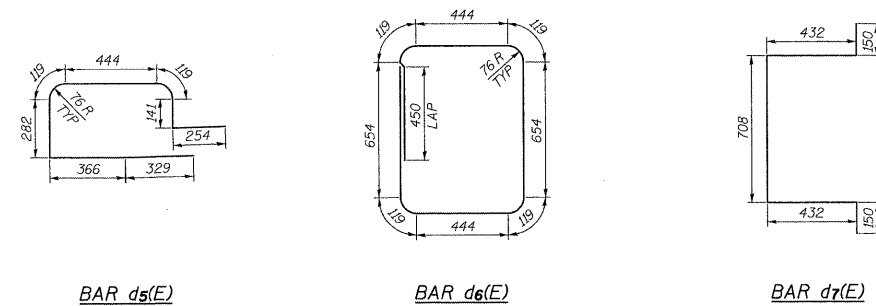


F.A.P. RTE.	SECTION	COUNTY	TOTAL SHEETS	SHEET NO.
326	(5CS,13C,108,109)R	KENDALL	931	657
STA.	TO STA.			
FED. ROAD DIST. NO.	ILLINOIS FED. AID PROJECT			

BAR LIST

Bar	Size	Length	Shape
$d_5(E)$	#16	2.054m	□
$d_6(E)$	#16	3.122m	□
$d_7(E)$	#16	1.872m	□

*Bars shown are those modified for light pole foundation. See barrier detail for standard barrier reinforcement.



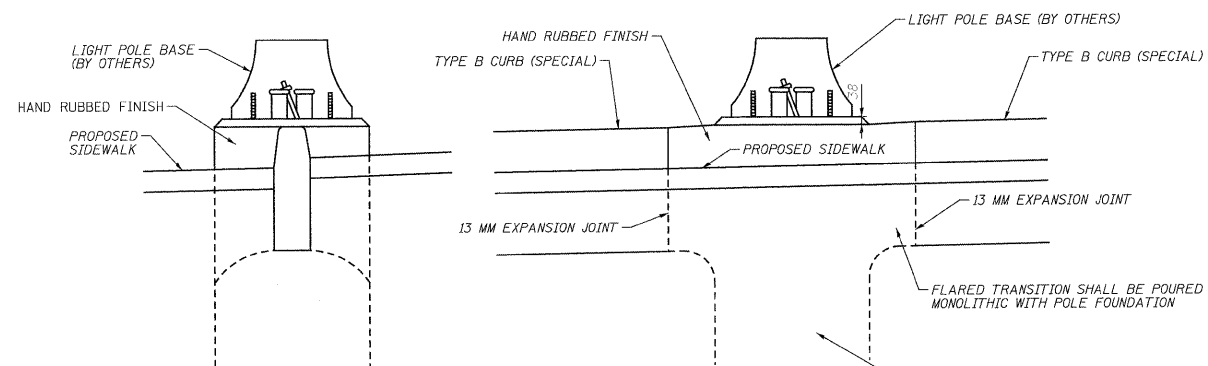
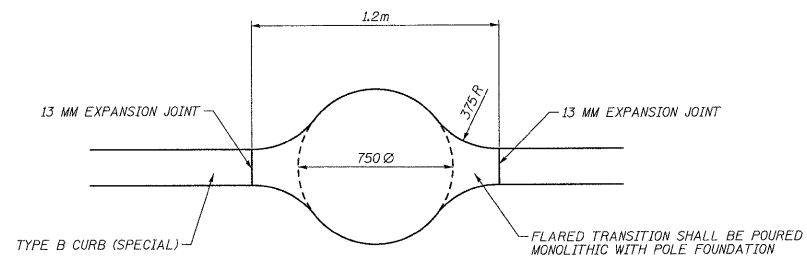
- DUAL 100 MM P.V.C. ELBOW RACEWAYS WITH INSULATED BUSHINGS.
- TEMPLATE DRAWING FOR SETTING OF ANCHOR BOLTS WILL BE FURNISHED BY THE CITY OF YORKVILLE.
- 38 MM CHAMFER.
- 25 MM DIA. GALVANIZED STEEL ANCHOR BOLTS, AS PER POLE MANUFACTURER REQUIREMENTS AND IN ACCORDANCE WITH SECTION 1070.02 OF THE STANDARD SPECIFICATIONS.
- 16 MM X 3.05 M COPPER CLAD GROUND ROD WITH CAD WELDED CONNECTION INSIDE THE LIGHT POLE BASE.
- REINFORCING BARS (AS PER SECTION 1006.10) EQUALLY SPACED ALONG A 600 MM DIA. CIRCLE, FOR NUMBER AND SIZE, SEE FOUNDATION DESIGN CHART.
- #13(#4) SPIRAL TIE BARS WITH 150 MM PITCH.
- CLASS SI CONCRETE.
- 13 MM EXPANSION JOINT MATERIAL SHALL BE PLACED BETWEEN POLE FOUNDATIONS AND CONCRETE SIDEWALKS OR PAVEMENT.

FOUNDATION DESIGN CHART

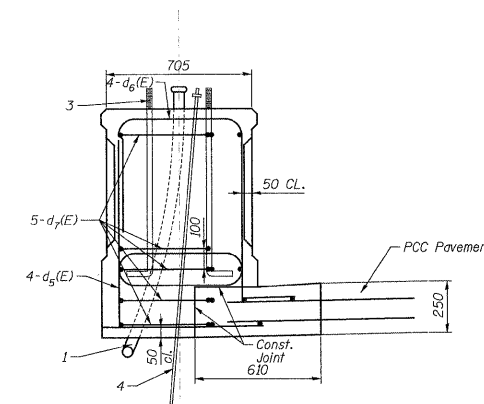
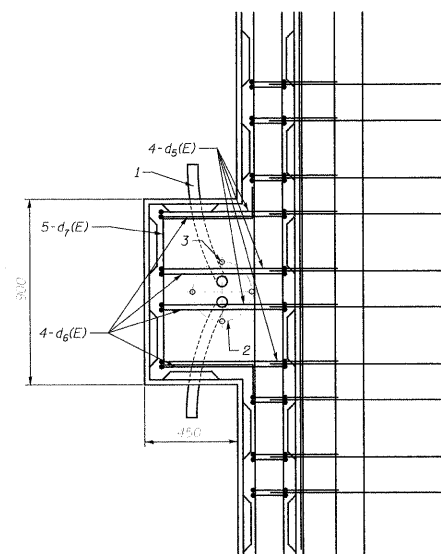
TYPE OF SOIL	DESIGN DEPTH OF FOUNDATION "D" (M)	REINFORCEMENT IN FOUNDATION	
		VERTICAL BARS	SPIRAL
SOFT CLAY	3.3	8-#19 X 3.200 M	#13 X 3.536 M
MEDIUM CLAY	2.7	8-#19 X 2.591 M	#13 X 2.957 M
STIFF CLAY	2.25	8-#19 X 2.134 M	#13 X 2.499 M
LOOSE SAND	2.85	8-#19 X 2.743 M	#13 X 3.109 M
MEDIUM SAND	2.775	8-#19 X 2.667 M	#13 X 3.018 M
DENSE SAND	2.4	8-#19 X 2.286	#13 X 2.652 M
ROCK OR SOLIDIFIED SLAG	1.5	NONE	NONE

NOTE: 3.0 M DEPTH ASSUMED FOR EACH FOUNDATION. ACTUAL DEPTH MAY BE ADJUSTED TO FIT SOIL CONDITIONS AT EACH LOCATION. THE ENGINEER SHALL EXAMINE EACH EXCAVATION IN PROGRESS AND MAKE A DEPTH DETERMINATION.

LIGHT POLE FOUNDATION, 750MM DIAMETER, SPECIAL



LIGHT POLE FOUNDATION, 750MM DIAMETER, SPECIAL (MODIFIED)



LIGHT POLE FOUNDATION, SPECIAL

- DUAL 100 MM P.V.C. ELBOW RACEWAYS WITH INSULATED BUSHINGS.
- TEMPLATE DRAWING FOR SETTING OF ANCHOR BOLTS WILL BE FURNISHED BY THE CITY OF YORKVILLE.
- 25 MM DIA. GALVANIZED STEEL ANCHOR BOLTS, AS PER POLE MANUFACTURER REQUIREMENTS AND IN ACCORDANCE WITH SECTION 1070.02 OF THE STANDARD SPECIFICATIONS.
- 16 MM X 3.05 M COPPER CLAD GROUND ROD WITH CAD WELDED CONNECTION INSIDE THE LIGHT POLE BASE.

REVISIONS		ILLINOIS DEPARTMENT OF TRANSPORTATION
NAME	DATE	
		<p style="text-align: center;">LIGHTING DETAILS</p> <p style="text-align: right;">DRAWN BY _____ CHECKED BY _____</p>