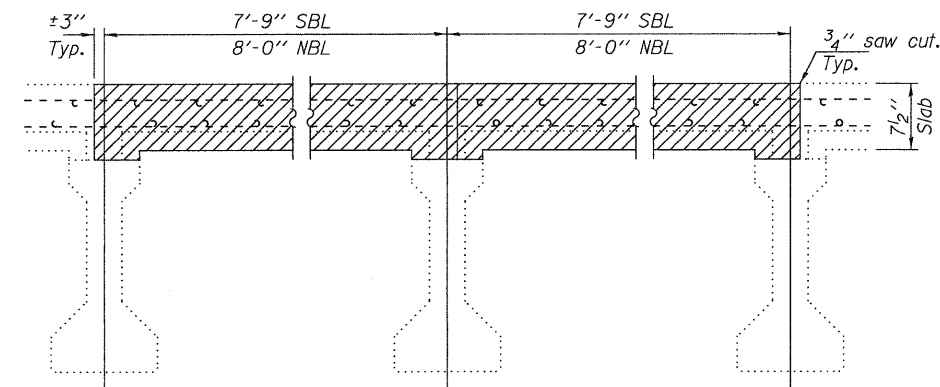
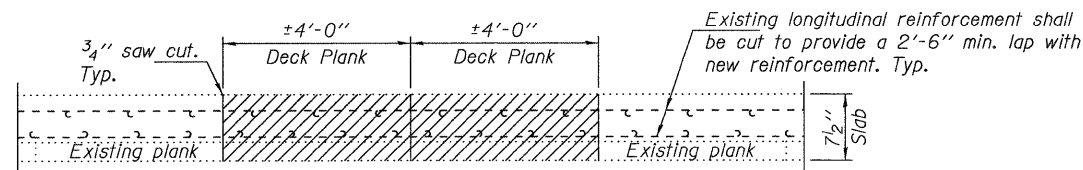


PLAN

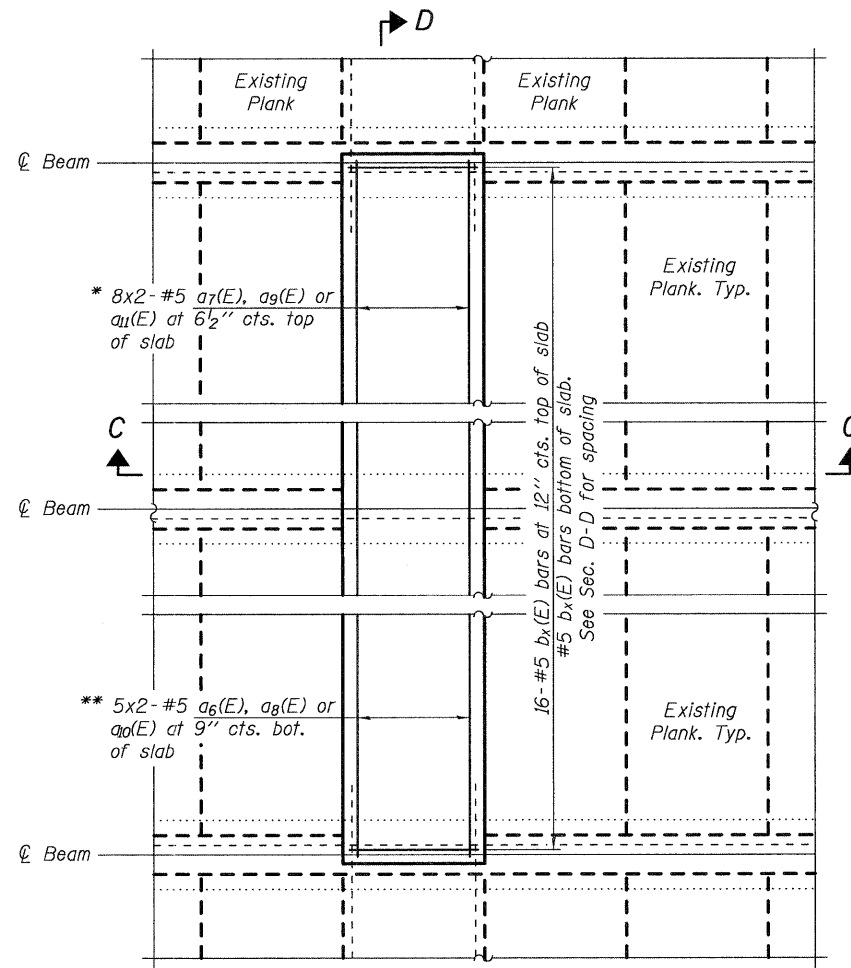
Hatched areas indicate removal.



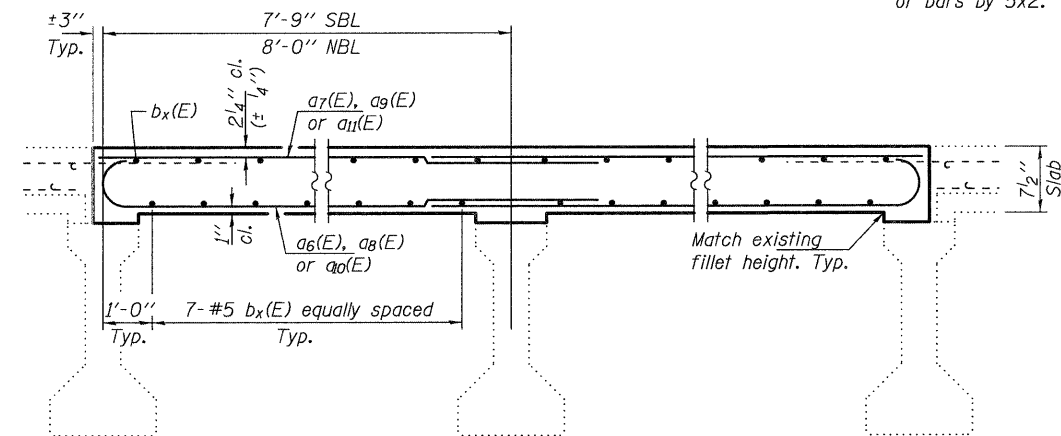
SECTION B-B



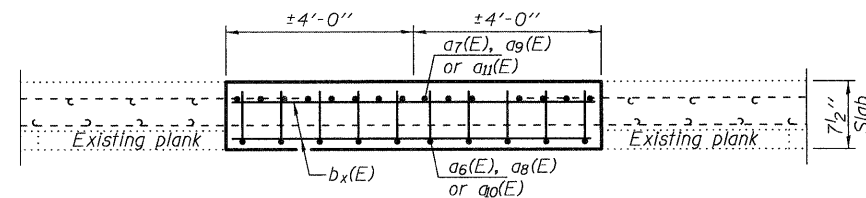
SECTION A-A



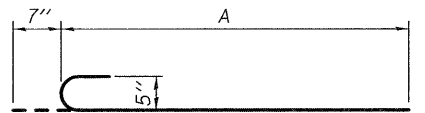
PLAN



SECTION D-D



SECTION C-C



BARS a6(E), a8(E) & a10(E)

Bar	A
a6(E)	5'-4"
a8(E)	9'-4"
a10(E)	13'-4"

MINIMUM BAR LAP

#5 bar = 2'-6"

No. Planks	x
1	1
2	2
3	3

No. of planks to be replaced along the length of the bridge

* The number of a7(E), a9(E) & a11(E) bars shown is for one 4'-0" plank replacement. For each consecutive plank replaced, increase the number of bars by 8x2.

** The number of a6(E), a8(E) & a10(E) bars shown is for one 4'-0" plank replacement. For each consecutive plank replaced, increase the number of bars by 5x2.

For notes, see sheet 659A.

BILL OF MATERIAL

Bar	No.	Size	Length	Shape
a6(E)	10	#5	5'-11"	U
a7(E)	16	#5	5'-4"	—
a8(E)	10	#5	9'-11"	—
a9(E)	16	#5	9'-4"	—
a10(E)	10	#5	13'-11"	U
a11(E)	16	#5	13'-4"	—
b1(E)	30	#5	3'-8"	—
b2(E)	30	#5	7'-8"	—
b3(E)	30	#5	11'-8"	—

Bars indicated thus 8 x 2-#5 etc. indicates 8 lines of bars with 2 lengths per line.