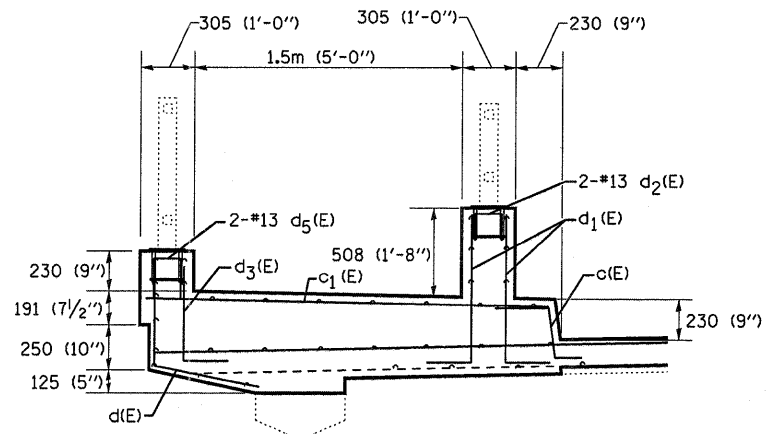
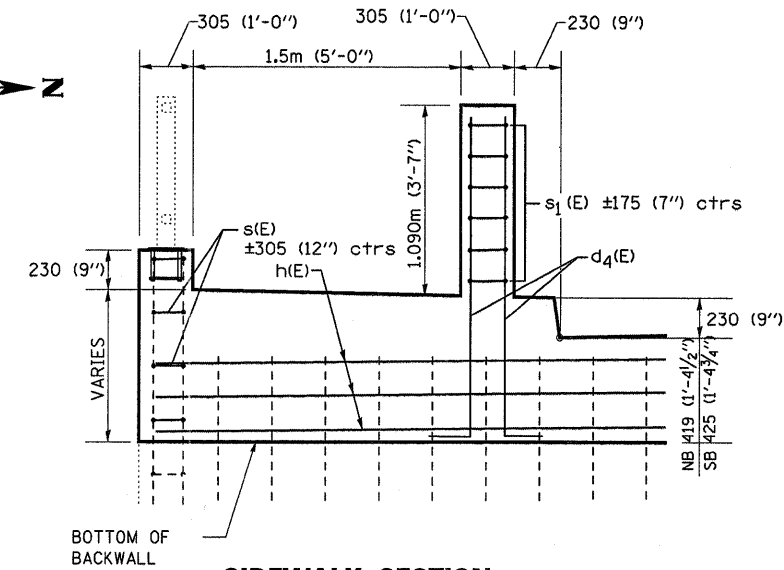


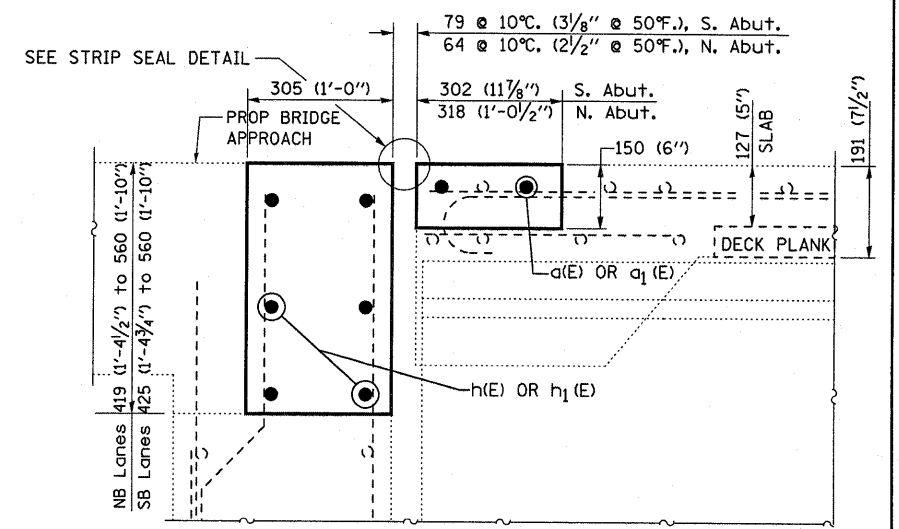
PLAN AT ABUTMENTS
NORTH & SOUTH ABUTMENTS TYPICAL



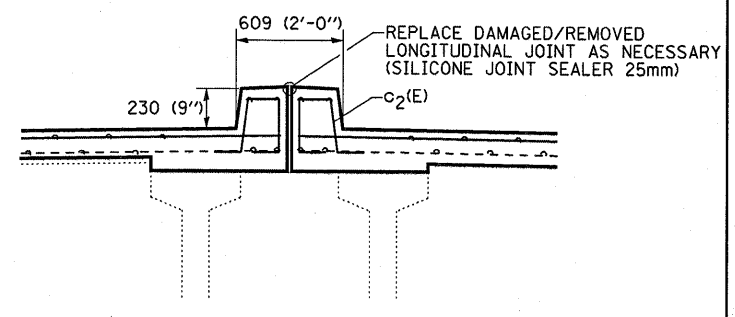
SIDEWALK SECTION
(DECK SIDE)



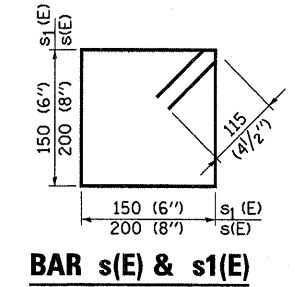
SIDEWALK SECTION
(ABUTMENT SIDE)



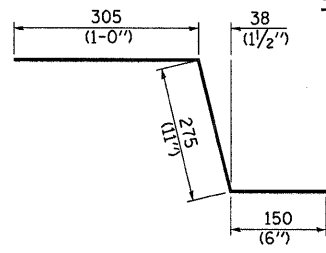
SECTION A-A
AT RT. L'S



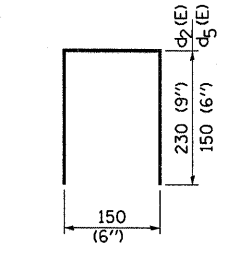
MEDIAN SECTION



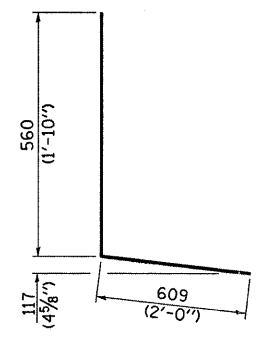
BAR s(E) & s1(E)



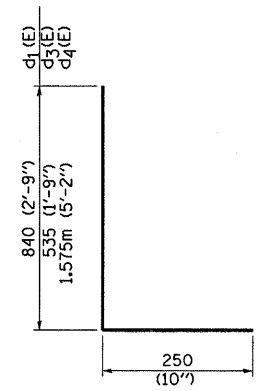
BAR c(E)



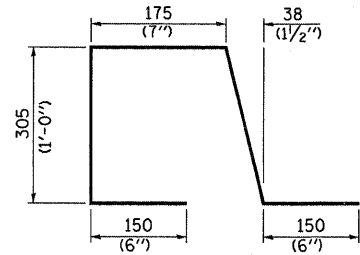
BAR d2(E) & d5(E)



BAR d(E)



BAR d1(E), d3(E), d4(E)



BAR c2(E)

BILL OF MATERIAL

Bar	No.	Size	Length	Shape
a(E)	4	#16	11.075m	—
a1(E)	4	#16	10.770m	—
c(E)	8	#16	0.740m	—
c1(E)	8	#16	2.235m	—
c2(E)	16	#16	1.090m	—
d(E)	8	#13	1.170m	—
d1(E)	16	#19	1.090m	—
d2(E)	8	#13	0.610m	—
d3(E)	8	#19	0.790m	—
d4(E)	16	#19	1.800m	—
d5(E)	8	#13	0.460m	—
h(E)	12	#19	11.075m	—
h1(E)	12	#19	10.770m	—
s(E)	16	#13	1.040m	—
s1(E)	28	#13	0.740m	—
Reinforcement Bars, Epoxy Coated			Kg	970
Concrete Superstructure			Cu. M.	11.1