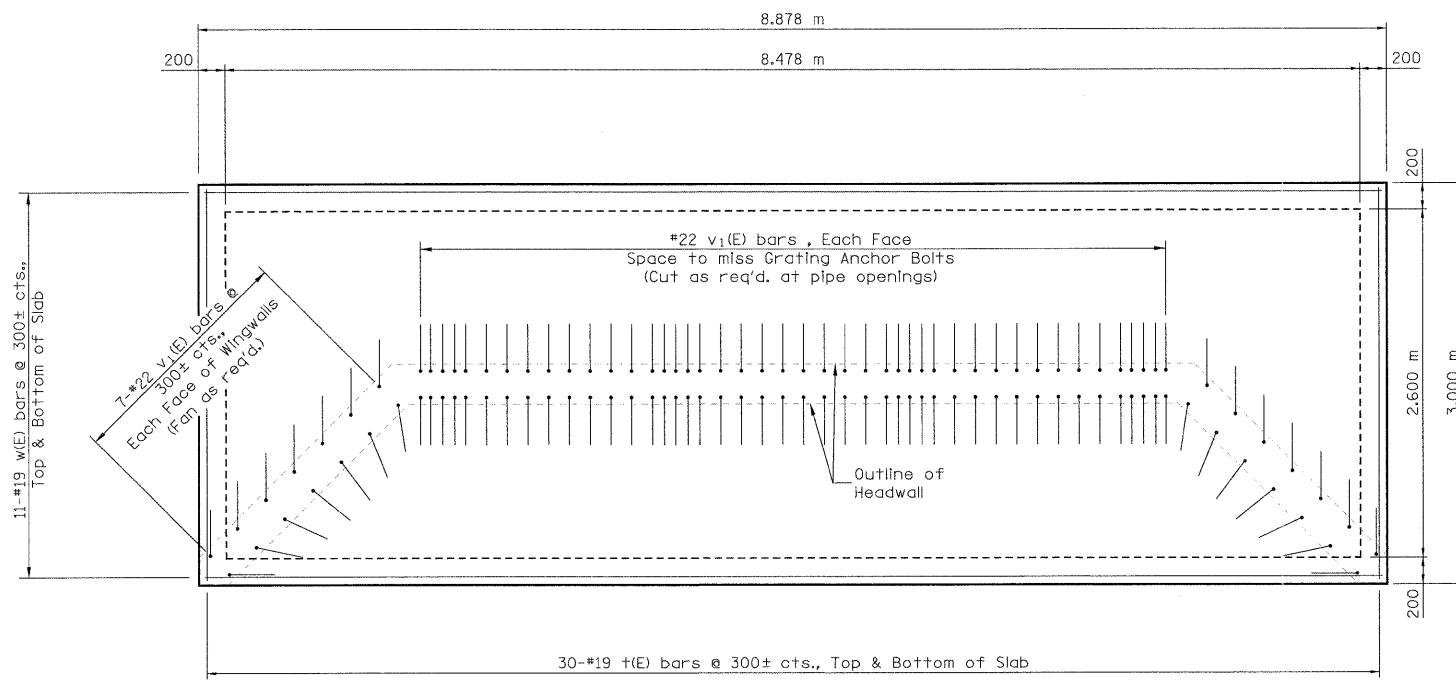
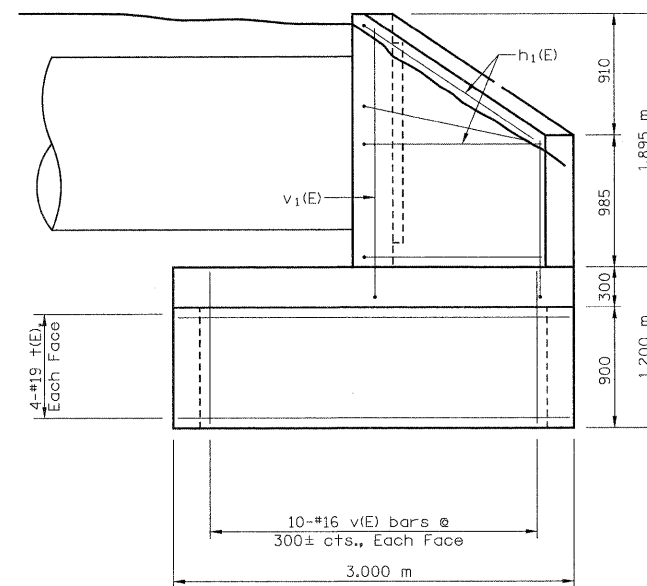


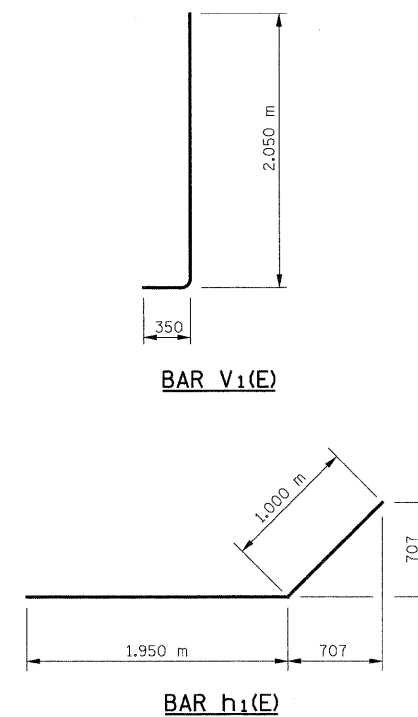
F.A.P. RTE.	SECTION	COUNTY	TOTAL SHEETS	SHEET NO.
326	(6CS,13C,108,109)R	KENDALL	931	671
STA.	TO STA.			
FED. ROAD DIST. NO.	ILLINOIS FED. AID PROJECT			



APRON SLAB PLAN



VIEW C-C

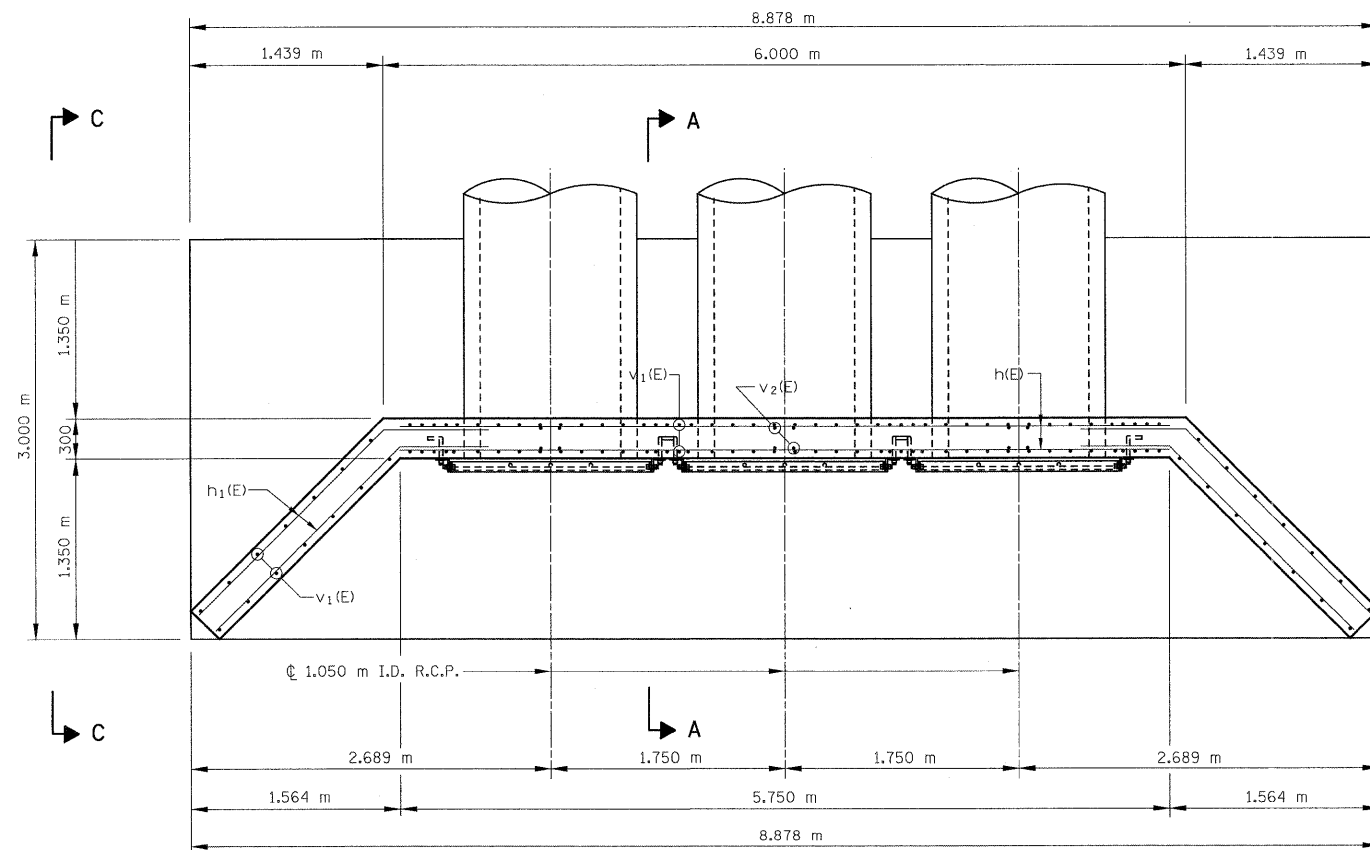


BILL OF MATERIAL

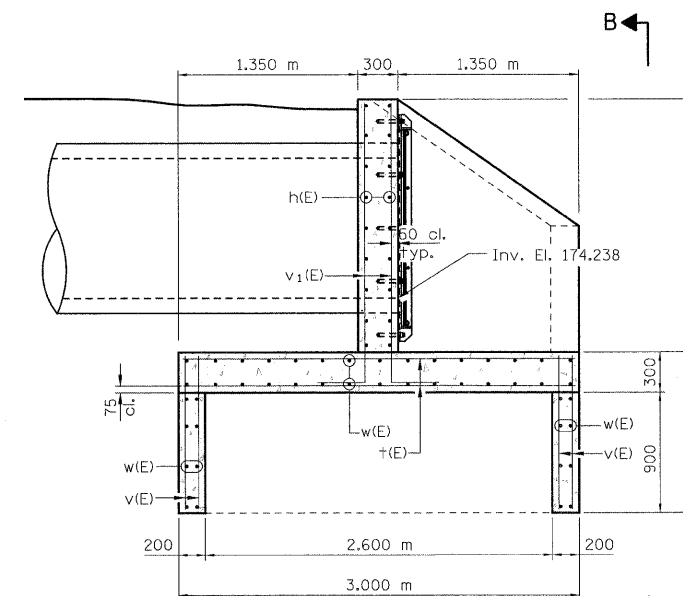
ITEM	UNIT	QUANTITY
Outlet Structure	L. Sum	1
Stone Riprap, Class A5	m <sup>2</sup>	69.0
Filter Fabric	m <sup>2</sup>	69.0

MATERIAL LIST  
(For Information Only)

BAR	NO.	SIZE	LENGTH (m)	SHAPE
h(E)	22	#16	5.75	—
h <sub>1</sub> (E)	28	#16	2.95	↙
t(E)	76	#19	2.85	—
v(E)	160	#16	1.07	—
v <sub>1</sub> (E)	116	#22	2.40	L
v <sub>2</sub> (E)	24	#16	1.40	—
w(E)	38	#19	8.75	—
Concrete Structures		m <sup>3</sup>	17.1	
Reinforcement Bars, Epoxy Coated		kg	2,717	



TOP PLAN



SECTION A-A

Notes:

1. Reinforcement Bars shall conform to the requirements of ASTM A 706M, Gr. 420.
2. All Reinforcement Bars for Outlet Structure shall be epoxy coated.
3. Material List is shown for informational purposes only. Quantities of "Concrete Structures" and "Reinforcement Bars, Epoxy Coated" shall be included in the cost of Outlet Structure. See Special Provisions.
4. All dimensions are in millimeters unless otherwise shown.
5. See storm sewer plans for riprap limits. Layout of slope protection system may be varied in the field to suit ground conditions as directed by the Engineer.

REVISIONS	
NAME	DATE

ILLINOIS DEPARTMENT OF TRANSPORTATION

STORM SEWER  
OUTLET STRUCTURE DETAILS  
(1 OF 2)

DATE \_\_\_\_\_ DRAWN BY \_\_\_\_\_  
CHECKED BY \_\_\_\_\_