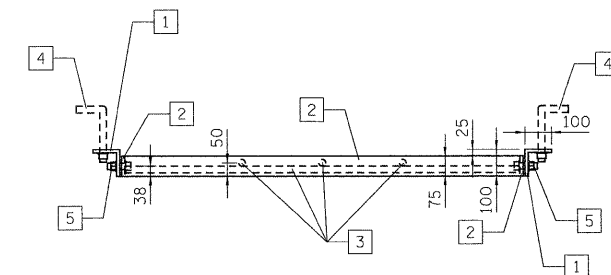
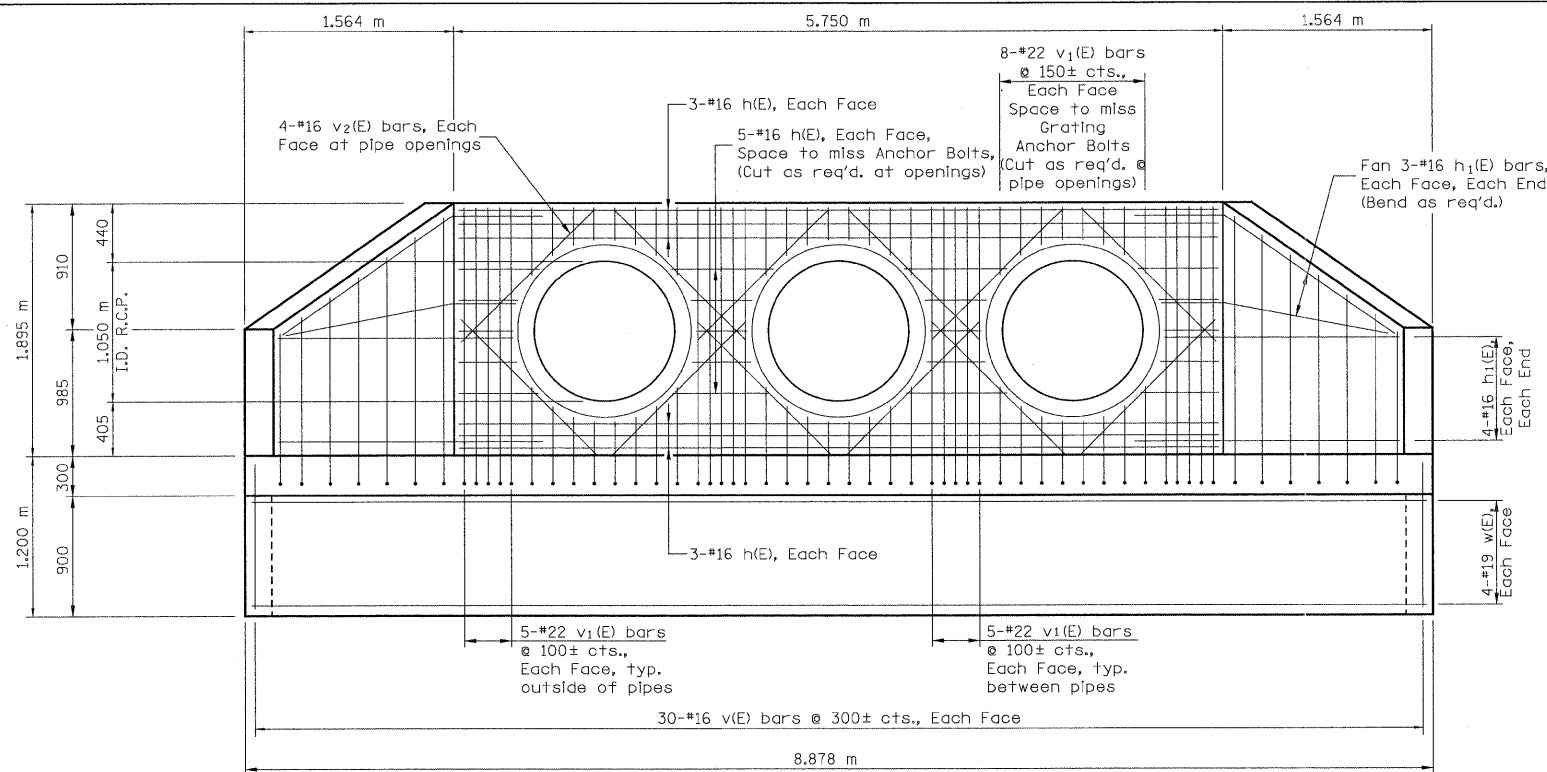


F.A.P. RTE.	SECTION	COUNTY	TOTAL SHEETS	SHEET NO.
326	(6CS,13C,108,109)R	KENDALL	931	672
STA.		TO STA.		
FED. ROAD DIST. NO.		ILLINOIS FED. AID PROJECT		

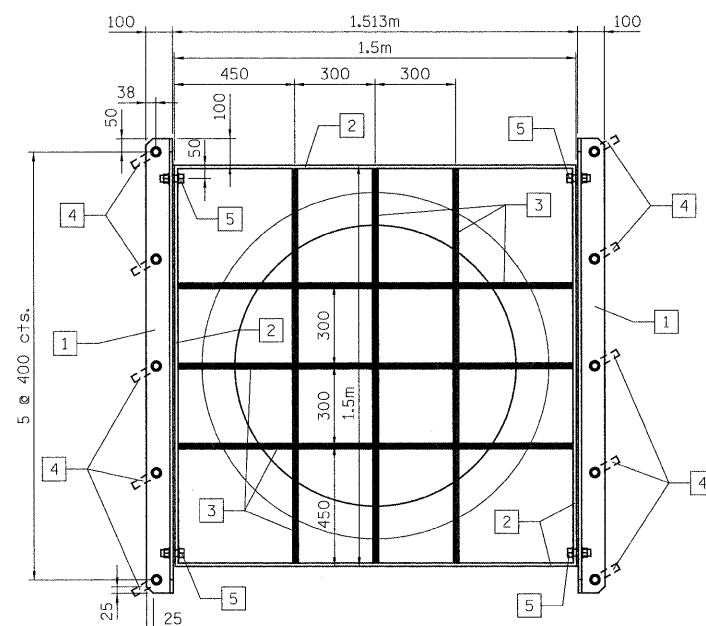
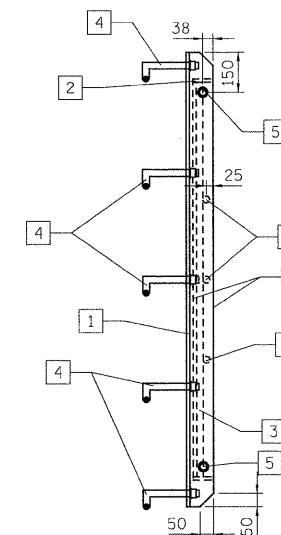
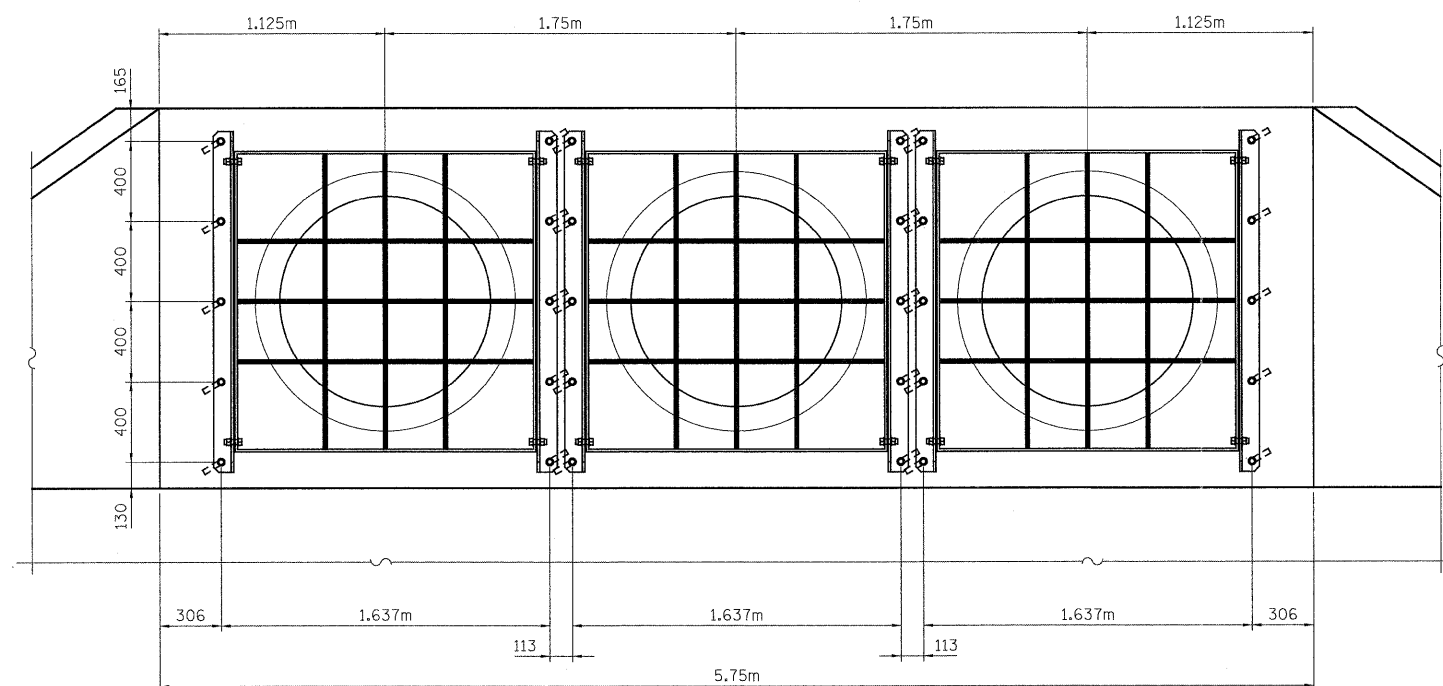
Notes:

1. Materials, fabrication, and installation of the grate shall be in accordance with Article 542.07 (b)(2).
2. Shop drawings shall be submitted for approval prior to fabrication.
3. Grate assemblies shall be on site prior to casting headwall to verify anchor bolt locations.
4. Mounting holes drilled in angle shall be 28mm. Assembly holes in angle and grate shall be oversized to 31mm to facilitate removal for maintenance.



MATERIAL LIST

- 1 100 x 100 x 13 angle
- 2 75 x 13 solid flat
- 3 25 solid round
- 4 25 x 150 anchor bolts
- 5 25 x 125 hex bolt w/ nut and washers



REVISIONS		ILLINOIS DEPARTMENT OF TRANSPORTATION
NAME	DATE	
		STORM SEWER OUTLET STRUCTURE DETAILS (2 OF 2) DRAWN BY _____ CHECKED BY _____ DATE _____

FILE: 671-672outlet_struct.sht.dgn
PLOTTED: 8/11/2011

HMG JOB NO. 5122