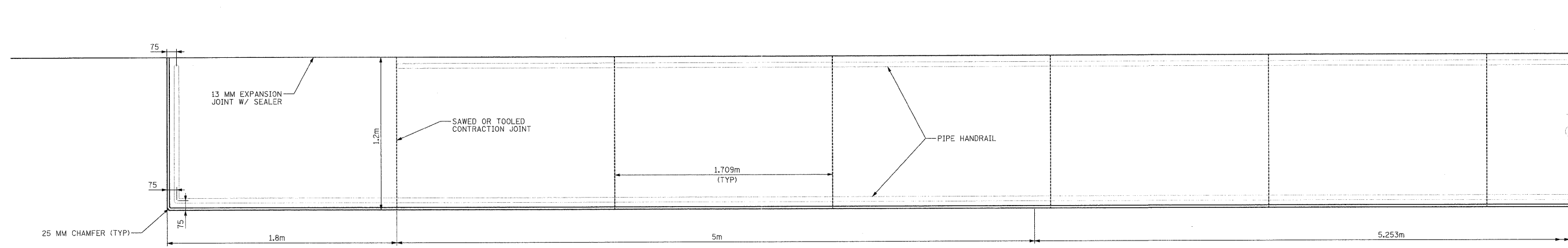
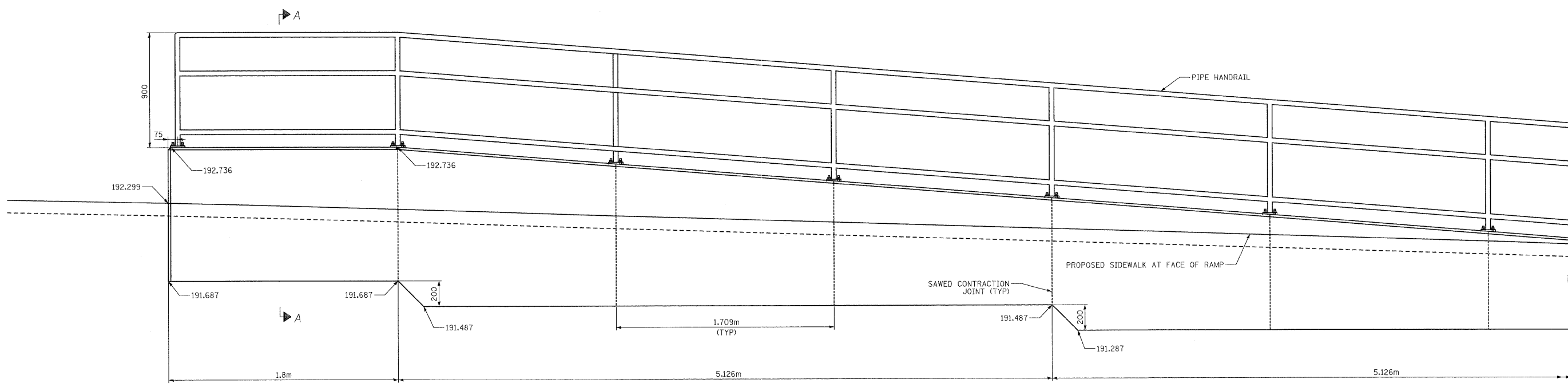


F.A.P. RTE.	SECTION	COUNTY	TOTAL SHEETS	SHEET NO.
326	(6CS,13C,108,109R)	KENDALL	931	679
STA.		TO STA.		
FED. ROAD DIST. NO.		ILLINOIS FED. AID PROJECT		



PLAN



ELEVATION

FILE: 679-688DET\_SHT\_downtown\_details.dgn  
PLOTTED: 8/11/2011

HMG JOB NO. 5122

REVISIONS		ILLINOIS DEPARTMENT OF TRANSPORTATION
NAME	DATE	
		ACCESS RAMP #1 PLAN AND ELEVATION (1 OF 2)  DRAWN BY CHECKED BY
		DATE