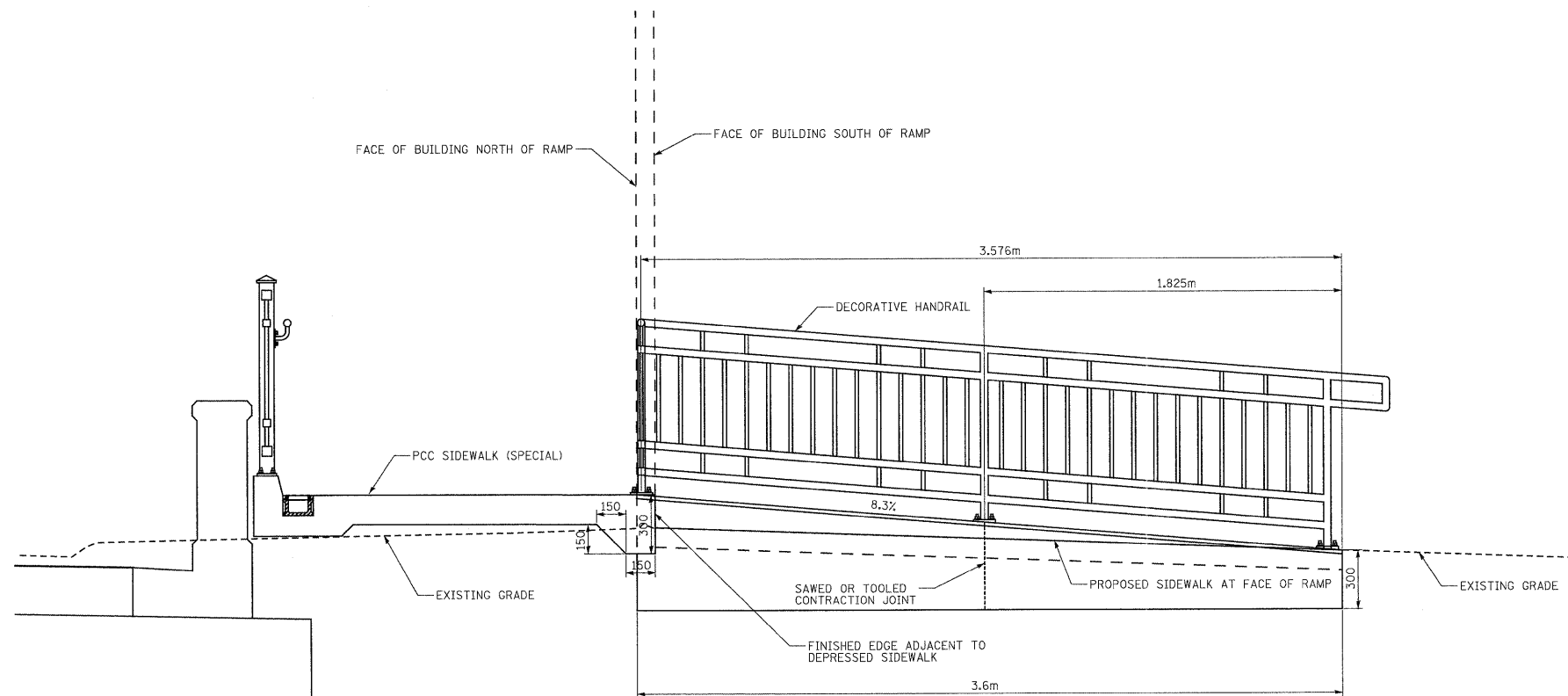
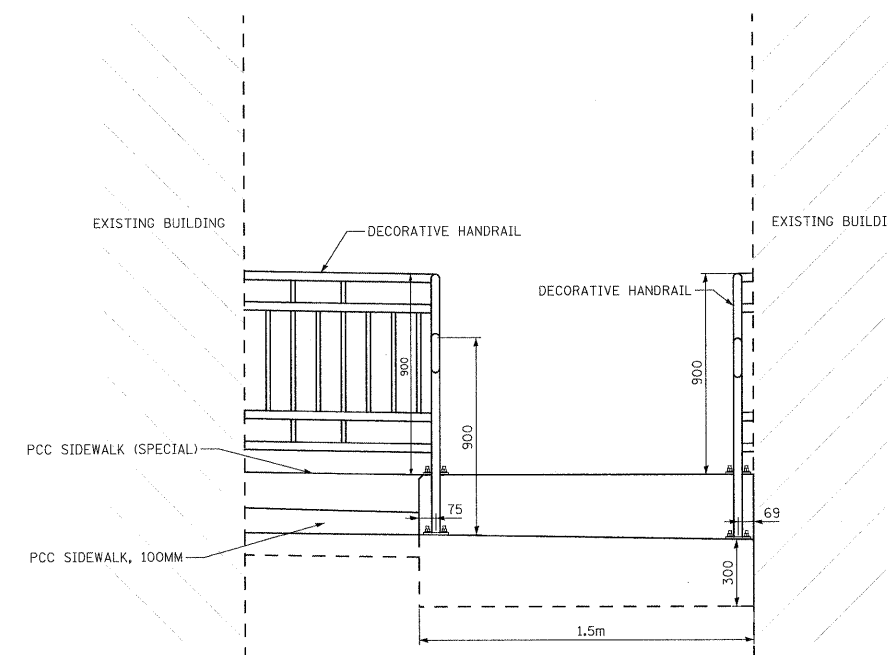


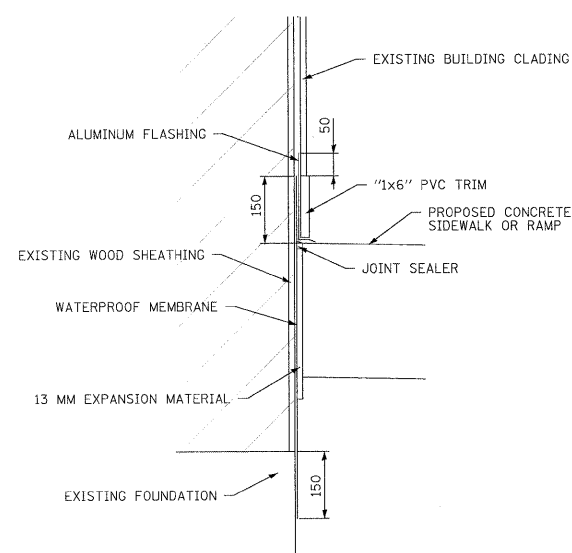
F.A.P. RTE.	SECTION	COUNTY	TOTAL SHEETS	SHEET NO.
326	(5CS,13C,108,109)R	KENDALL	931	686
STA.		TO STA.		
FED. ROAD DIST. NO.		ILLINOIS FED. AID PROJECT		



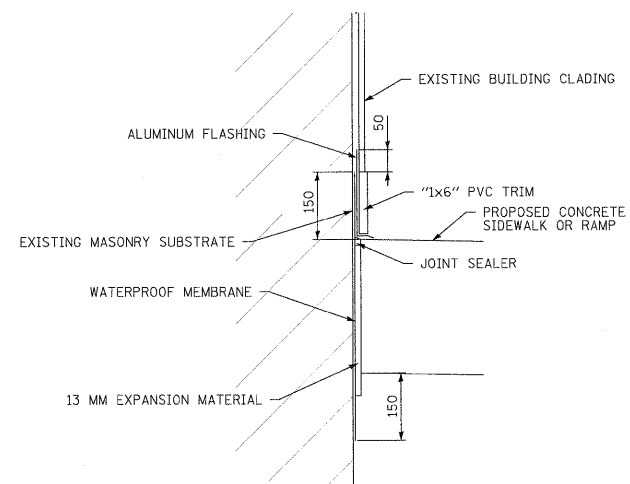
SIDE ELEVATION



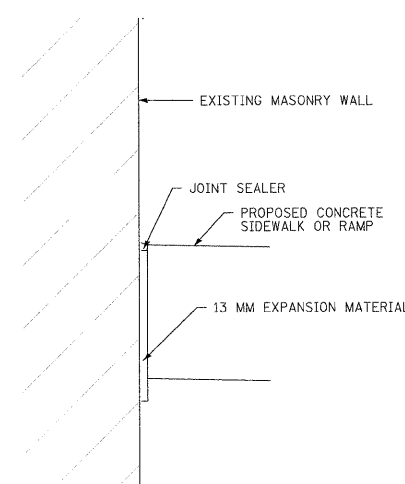
FRONT ELEVATION



FRAME CONSTRUCTION

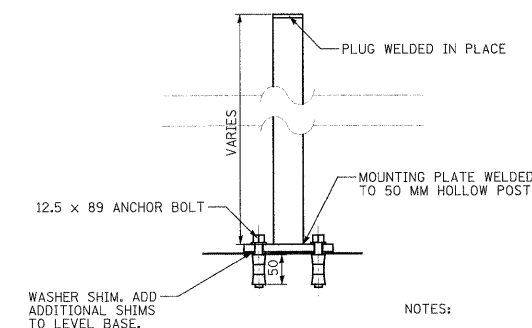


MASONRY CONSTRUCTION W/ CLADDING



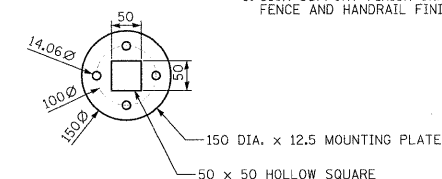
MASONRY CONSTRUCTION

FLASHING DETAIL FOR PROPOSED CONCRETE IN CONTACT WITH BUILDING FACE (INCLUDED IN COST OF THE CONCRETE ITEM)



NOTES:

1. POST LENGTH DETERMINED BY SIGNS TO BE INSTALLED (SEE SCHEDULE).
2. SIGNS SHALL BE MOUNTED TO POST USING THE IDOT STANDARD 720001 FOR WOOD OR TELESCOPING STEEL POSTS.
3. SIGN SUPPORT FINISH SHALL MATCH THE DECORATIVE FENCE AND HANDRAIL FINISH.



STEEL SIGN SUPPORT, SPECIAL

- NOTES:
1. CUT AND REMOVE EXISTING CLADDING AS NEEDED TO INSTALL FLASHING AND TRIM.
 2. JOINT BETWEEN EXISTING CLADDING AND NEW TRIM SHALL BE SEALED WITH A PAINTABLE, ACRYLIC CAULK DESIGNED FOR EXTERIOR APPLICATIONS.
 3. SEE SPECIAL PROVISIONS FOR MORE DETAILED INFORMATION ON ACCEPTABLE MATERIALS.

REVISIONS		ILLINOIS DEPARTMENT OF TRANSPORTATION ACCESS RAMP #4 BUILDING FLASHING AND STEEL SIGN SUPPORT, SPECIAL DETAILS
NAME	DATE	
		DRAWN BY CHECKED BY DATE

FILE: 679-688DET_SHT_downtown_details.dgn PLOTTED: 8/11/2011

HMG JOB NO. 582