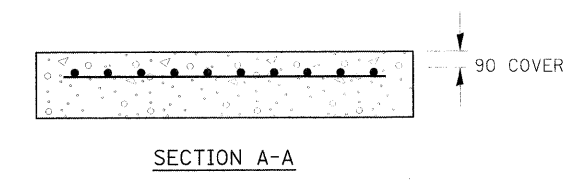
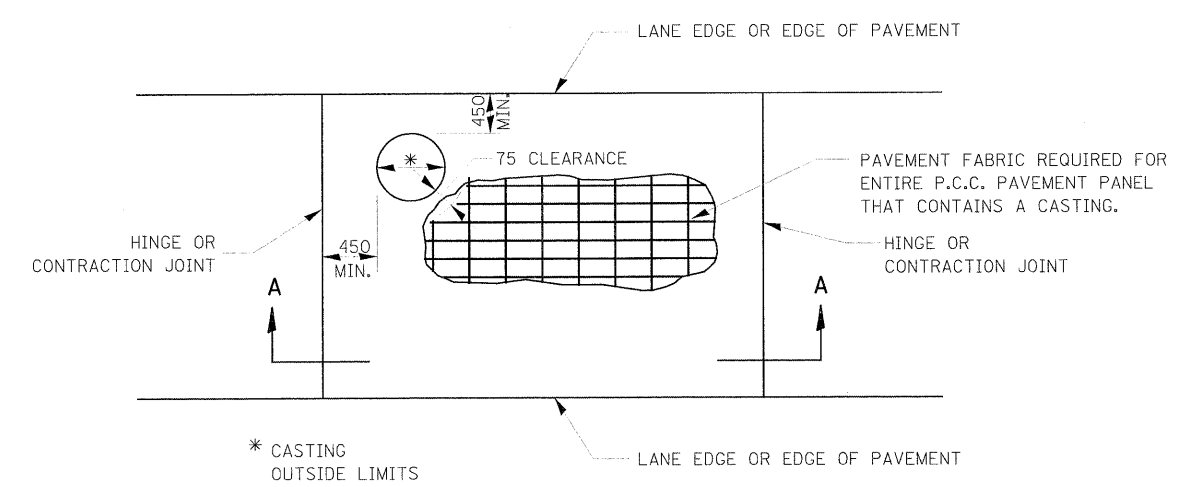
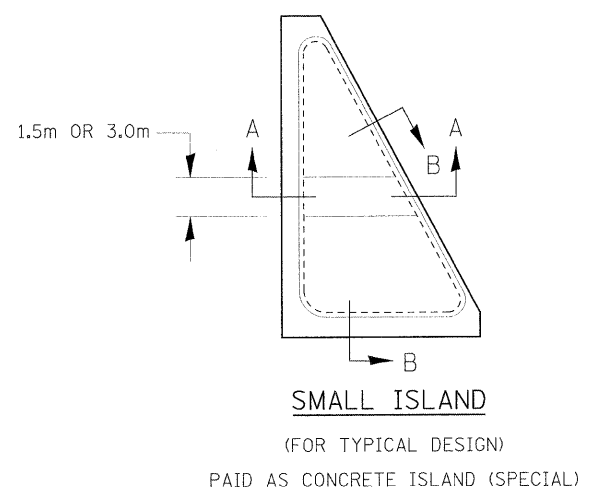
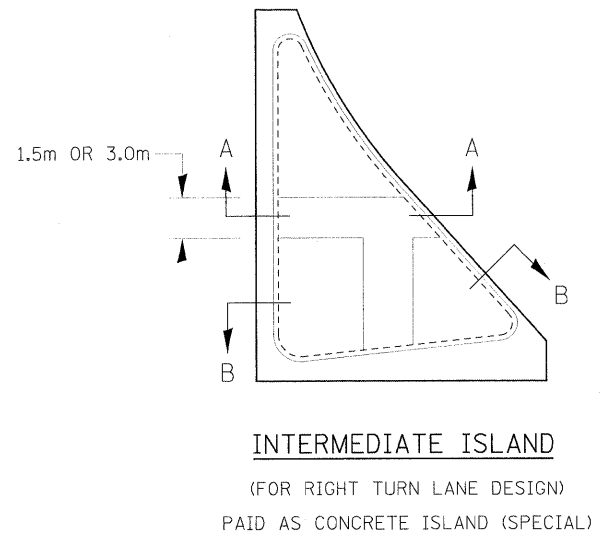
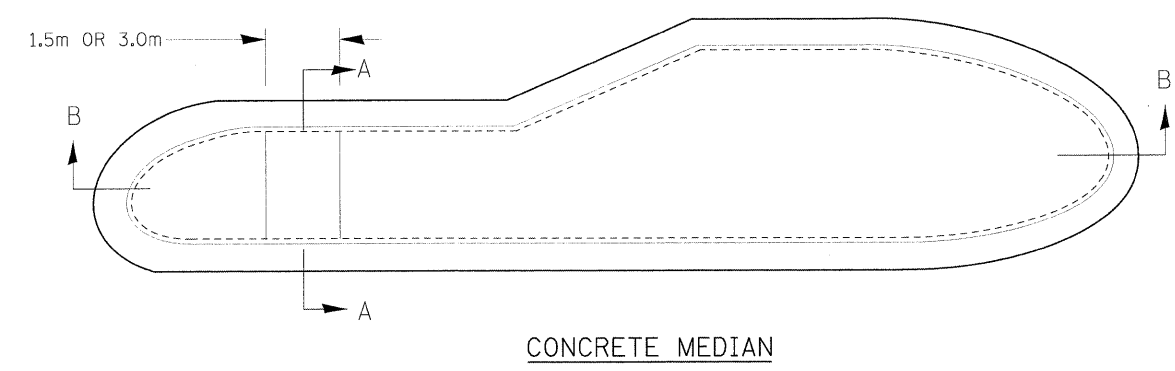


F.A.P. RTE.	SECTION	COUNTY	TOTAL SHEETS	SHEET NO.
326	(5CS,13C,108,109)R	KENDALL	931	691
STA.		TO STA.		
FED. ROAD DIST. NO.		ILLINOIS FED. AID PROJECT		



GENERAL NOTES

THE CASTING SHALL BE SET TO GRADE, ANCHORED, AND INCORPORATED INTO THE P.C.C. PAVEMENT CONSTRUCTION. SEPARATE PAVEMENT BLOCKOUTS WILL NOT BE ALLOWED.

SEE STD. 420701 FOR ADDITIONAL PAVEMENT FABRIC DETAILS.

PAVEMENT FABRIC WILL BE PAID FOR SEPARATELY. THE QUANTITY OF PAVEMENT FABRIC WILL BE THE COMPUTED SURFACE AREA OF THE P.C.C. PAVEMENT PANEL IN WHICH THE PAVEMENT FABRIC IS INSTALLED. NO DEDUCTION WILL BE MADE FOR THE CASTING AREA.

CASTINGS IN P.C.C. PAVEMENT

GENERAL NOTES

ALL DIMENSIONS ARE MILLIMETERS UNLESS OTHERWISE NOTED.

SEE STANDARD 606301 AND PLAN SHEETS FOR STATION, OFFSETS, RADII, DIMENSIONS, AND DETAILS NOT SHOWN.

THE SIDEWALK SHOULD DRAIN TO THE LOW SIDE OF THE ISLAND. IF NECESSARY THE SIDEWALK SHALL BE SLOPED TO DRAIN AT A MAXIMUM 2% GRADE.

SEE THE PLAN GENERAL NOTES FOR THE TYPE OF CURB AND CUTTER TO BE USED ON ISLANDS.

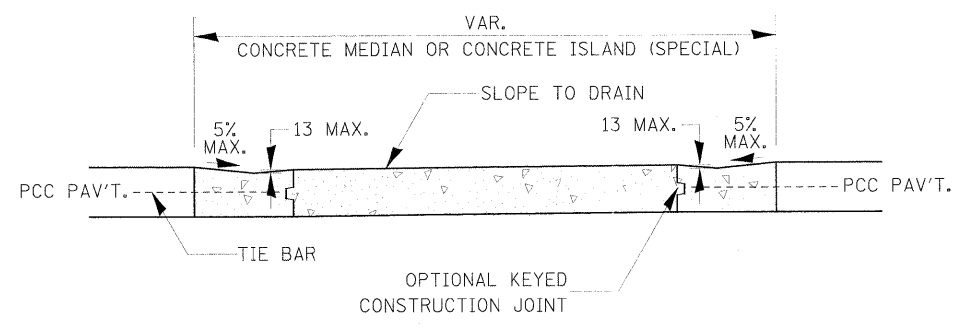
THE SIDEWALK SHOULD NOT BE CLOSER THAN 900 FROM THE CORNER OF THE ISLAND.

300 x 300 SIGN BLOCKOUTS SHALL BE PROVIDED IN ISLANDS AND MEDIAN AS REQUIRED.

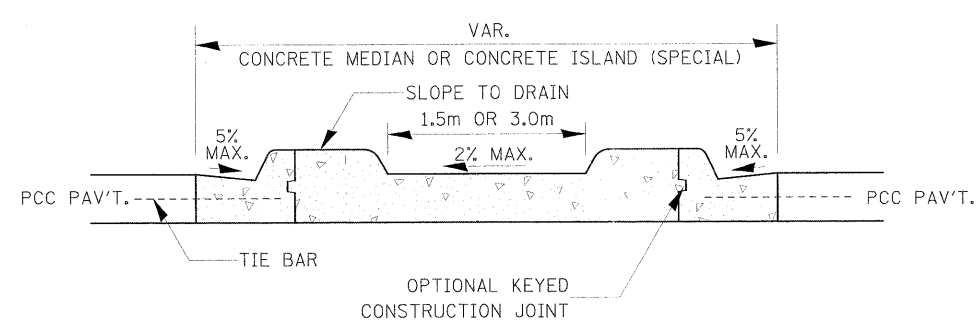
KEYED LONGITUDINAL CONSTRUCTION JOINTS SHALL BE CONSTRUCTED WITHOUT TIE BARS.

LOCATIONS, LAYOUTS, AND WIDTHS OF THE FLUSH SIDEWALK AREA, SHALL BE DETERMINED BY THE DESIGNER AND SHOWN ON THE PLANS.

THE SOLID CONCRETE MEDIANS AND INTERMEDIATE AND SMALL ISLANDS WILL BE MEASURED FOR PAYMENT FROM E.O.P. TO E.O.P., AND WILL BE PAID FOR AT THE CONTRACT UNIT PRICE PER SQ. YD. FOR CONCRETE MEDIAN OF THE TYPE SPECIFIED OR CONCRETE ISLAND (SPECIAL).



SECTION A-A



SECTION B-B

REVISIONS		ILLINOIS DEPARTMENT OF TRANSPORTATION
NAME	DATE	
		<p align="center">PAVEMENT DETAILS</p> <p align="right">DRAWN BY _____ CHECKED BY _____</p> <p>DATE _____</p>

FILE: 690-691DET_SHT_pavement.dgn PLOTTED: 8/11/2011

HMG JOB NO. 5122