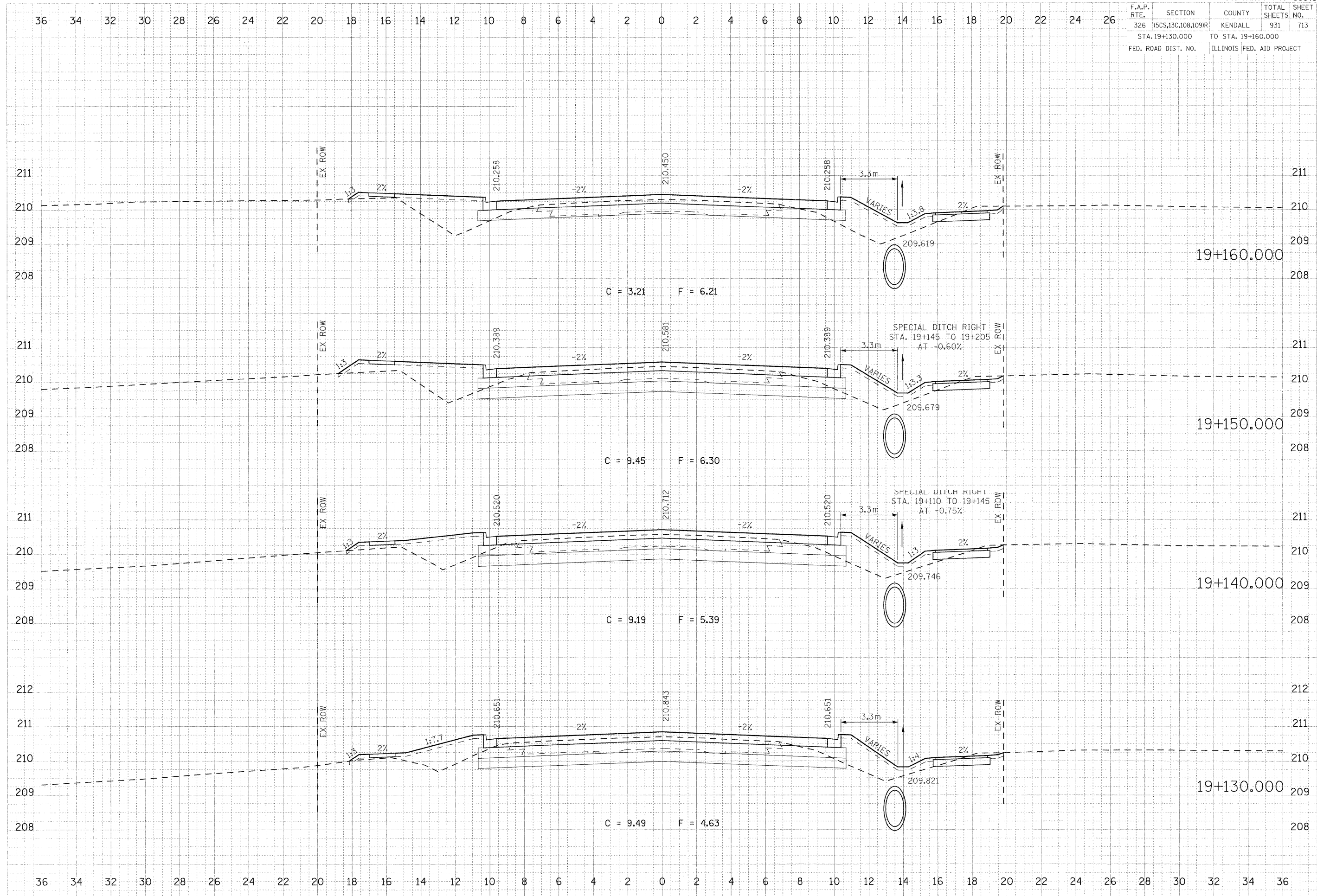


F.A.P. RTE.	SECTION	COUNTY	TOTAL SHEETS NO.
326	5CS,13C,108,109R	KENDALL	931 713
STA. 19+130.000		TO STA. 19+160.000	
FED. ROAD DIST. NO.		ILLINOIS FED. AID PROJECT	



FINAL SURVEY DATE
 SURVEYED BY
 CHECKED BY
 NOTE BODY AREAS
 AREAS CHECKED

ORIGINAL SURVEY DATE
 SURVEYED BY
 CHECKED BY
 NOTE BODY AREAS
 AREAS CHECKED

PLOT DATE = 07/26/2011
 FILE NAME = 693-793X1
 PLOT SCALE = 0.1000' = 1" / 10'
 USER NAME = USERDESCR